

CCSDS Historical Document

This document's Historical status indicates that it is no longer current. It has either been replaced by a newer issue or withdrawn because it was deemed obsolete. Current CCSDS publications are maintained at the following location:

<http://public.ccsds.org/publications/>



Report Concerning Space Data System Standards

OVERVIEW OF SPACE COMMUNICATIONS PROTOCOLS

INFORMATIONAL REPORT

CCSDS 130.0-G-2

GREEN BOOK
December 2007



Report Concerning Space Data System Standards

**OVERVIEW OF SPACE
COMMUNICATIONS
PROTOCOLS**

INFORMATIONAL REPORT

CCSDS 130.0-G-2

GREEN BOOK

December 2007

AUTHORITY

Issue:	Informational Report, Issue 2
Date:	December 2007
Location:	Washington, DC, USA

This document has been approved for publication by the Management Council of the Consultative Committee for Space Data Systems (CCSDS) and reflects the consensus of technical panel experts from CCSDS Member Agencies. The procedure for review and authorization of CCSDS Reports is detailed in the *Procedures Manual for the Consultative Committee for Space Data Systems*.

This document is published and maintained by:

CCSDS Secretariat
Space Communications and Navigation Office, 7L70
Space Operations Mission Directorate
NASA Headquarters
Washington, DC 20546-0001, USA

FOREWORD

This document is a CCSDS Report that contains an overview of the space communications protocols recommended by CCSDS. A space link is a communications link between a spacecraft and its associated ground system or between two spacecraft. A space communications protocol is a communications protocol designed to be used over a space link, or in a network that contains one or multiple space links.

Through the process of normal evolution, it is expected that expansion, deletion, or modification of this document may occur. This Report is therefore subject to CCSDS document management and change control procedures, which are defined in the *Procedures Manual for the Consultative Committee for Space Data Systems*. Current versions of CCSDS documents are maintained at the CCSDS Web site:

<http://www.ccsds.org/>

Questions relating to the contents or status of this document should be addressed to the CCSDS Secretariat at the address indicated on page i.

At time of publication, the active Member and Observer Agencies of the CCSDS were:

Member Agencies

- Agenzia Spaziale Italiana (ASI)/Italy.
- British National Space Centre (BNSC)/United Kingdom.
- Canadian Space Agency (CSA)/Canada.
- Centre National d’Etudes Spatiales (CNES)/France.
- Deutsches Zentrum für Luft- und Raumfahrt e.V. (DLR)/Germany.
- European Space Agency (ESA)/Europe.
- Federal Space Agency (FSA)/Russian Federation.
- Instituto Nacional de Pesquisas Espaciais (INPE)/Brazil.
- Japan Aerospace Exploration Agency (JAXA)/Japan.
- National Aeronautics and Space Administration (NASA)/USA.

Observer Agencies

- Austrian Space Agency (ASA)/Austria.
- Belgian Federal Science Policy Office (BFSPPO)/Belgium.
- Central Research Institute of Machine Building (TsNIIMash)/Russian Federation.
- Centro Tecnico Aeroespacial (CTA)/Brazil.
- Chinese Academy of Sciences (CAS)/China.
- Chinese Academy of Space Technology (CAST)/China.
- Commonwealth Scientific and Industrial Research Organization (CSIRO)/Australia.
- Danish National Space Center (DNSC)/Denmark.
- European Organization for the Exploitation of Meteorological Satellites (EUMETSAT)/Europe.
- European Telecommunications Satellite Organization (EUTELSAT)/Europe.
- Hellenic National Space Committee (HNSC)/Greece.
- Indian Space Research Organization (ISRO)/India.
- Institute of Space Research (IKI)/Russian Federation.
- KFKI Research Institute for Particle & Nuclear Physics (KFKI)/Hungary.
- Korea Aerospace Research Institute (KARI)/Korea.
- MIKOMTEK: CSIR (CSIR)/Republic of South Africa.
- Ministry of Communications (MOC)/Israel.
- National Institute of Information and Communications Technology (NICT)/Japan.
- National Oceanic and Atmospheric Administration (NOAA)/USA.
- National Space Organization (NSPO)/Taiwan.
- Naval Center for Space Technology (NCST)/USA.
- Space and Upper Atmosphere Research Commission (SUPARCO)/Pakistan.
- Swedish Space Corporation (SSC)/Sweden.
- United States Geological Survey (USGS)/USA.

DOCUMENT CONTROL

Document	Title	Date	Status
CCSDS 130.0-G-1	Overview of Space Link Protocols, Issue 1	June 2001	Original issue, superseded
CCSDS 130.0-G-2	Overview of Space Communications Protocols, Informational Report, Issue 2	December 2007	Current issue

CONTENTS

<u>Section</u>	<u>Page</u>
1 INTRODUCTION.....	1-1
1.1 PURPOSE AND SCOPE.....	1-1
1.2 DOCUMENT STRUCTURE	1-1
1.3 DEFINITIONS	1-1
1.4 REFERENCES	1-2
2 INTRODUCTION TO SPACE COMMUNICATIONS PROTOCOLS	2-1
2.1 HISTORY OF SPACE COMMUNICATIONS PROTOCOLS	2-1
2.2 PROTOCOL LAYERS.....	2-3
3 MAJOR FEATURES OF SPACE COMMUNICATIONS PROTOCOLS.....	3-1
3.1 PHYSICAL LAYER	3-1
3.2 DATA LINK LAYER	3-1
3.3 NETWORK LAYER.....	3-7
3.4 TRANSPORT LAYER.....	3-9
3.5 APPLICATION LAYER.....	3-9
4 EXAMPLES OF PROTOCOL CONFIGURATIONS.....	4-1
4.1 GENERAL.....	4-1
4.2 SPACE PACKET PROTOCOL FOR END-TO-END ROUTING	4-2
4.3 SCPS-NP AND IP FOR END-TO-END ROUTING	4-3
4.4 IP VERSION 4 FOR END-TO-END ROUTING	4-5
4.5 IP VERSION 6 FOR END-TO-END ROUTING	4-7
4.6 CFDP FOR END-TO-END ROUTING	4-8
ANNEX A ACRONYMS.....	A-1

Figure

2-1 Space Communications Protocols Reference Model.....	2-4
2-2 Some Possible Combinations of Space Communications Protocols	2-5
3-1 Relationships between Channels of the Space Data Link Protocols	3-3
4-1 Simple Space Data System Model.....	4-1
4-2 Protocol Configuration on a Space Link When Space Packet Protocol Is Used for End-to-End Routing	4-3
4-3 Protocol Configuration in a Space Data System When Space Packet Protocol Is Used for End-to-End Routing	4-3

CONTENTS (continued)

<u>Figure</u>	<u>Page</u>
4-4 Protocol Configuration on a Space Link When SCPS-NP and IP Are Used for End-to-End Routing	4-4
4-5 Protocol Configuration in a Space Data System When SCPS-NP and IP Are Used for End-to-End Routing	4-5
4-6 Protocol Configuration on a Space Link When IP Version 4 Is Used for End-to-End Routing	4-6
4-7 Protocol Configuration in a Space Data System When IP Version 4 Is Used for End-to-End Routing	4-6
4-8 Protocol Configuration on a Space Link When IP Version 6 Is Used for End-to-End Routing	4-7
4-9 Protocol Configuration in a Space Data System When IP Version 6 Is Used for End-to-End Routing	4-8
4-10 Protocol Configuration on a Space Link When CFDP Is Used for End-to-End Routing	4-9
4-11 Protocol Configuration in a Space Data System When CFDP Is Used for End-to-End Routing	4-9

Table

3-1 Identifiers of Space Data Link Protocols	3-4
3-2 Summary of Services Provided by Space Data Link Protocols	3-5
3-3 Functions of Synchronization and Channel Coding Standards	3-6
3-4 Addressing Capability of Network Protocols	3-8

1 INTRODUCTION

1.1 PURPOSE AND SCOPE

The purpose of this Report is to provide an architectural overview of the space communications protocols recommended by CCSDS and to show how these protocols are used in space mission data systems.

A space link is a communications link between a spacecraft and its associated ground system or between two spacecraft. A space communications protocol is a communications protocol designed to be used over a space link, or in a network that contains one or multiple space links.

This Report presents only a top-level overview of the space communications protocols and does not contain the specification or rationale of each protocol. The specification of a space communications protocol developed by CCSDS is contained in a CCSDS Blue Book, and its rationale is described in a CCSDS Green Book that accompanies the Blue Book.

1.2 DOCUMENT STRUCTURE

This document is divided into four numbered sections and an annex:

- a) section 1 presents the purpose and scope of this Report and lists the definitions and references used throughout the Report;
- b) section 2 provides a brief introduction to the space communications protocols;
- c) section 3 presents major features of the space communications protocols;
- d) section 4 shows some examples of how space communications protocols are used in space data systems;
- e) annex A lists acronyms and abbreviations used within this document.

1.3 DEFINITIONS

1.3.1 DEFINITIONS FROM OSI BASIC REFERENCE MODEL

Most of the CCSDS space communications protocols are defined using the style established by the Open Systems Interconnection (OSI) Basic Reference Model (reference [2]). This model provides a common framework for the development of standards in the field of systems interconnection. It defines concepts and terms associated with a layered architecture and introduces seven specific layers. The concepts and terms defined in this model are extensively used in the Blue Books that define CCSDS space communications protocols. If the reader is not familiar with this model, an excellent introduction can be found in a textbook on computer networks such as reference [3].

The following terms used in this Report are defined in reference [2]:

- a) Application Layer;
- b) Data Link Layer;
- c) layer;
- d) Network Layer;
- e) Physical Layer;
- f) protocol data unit;
- g) service;
- h) Transport Layer.

1.3.2 TERMS DEFINED IN THIS REPORT

For the purposes of this Report, the following definitions also apply.

octet: an 8-bit word.

Physical Channel: a stream of bits transferred over a space link (see below) in a single direction.

space link: a communications link between a spacecraft and its associated ground system or between two spacecraft. A space link consists of one or more Physical Channels in one or both directions.

space communications protocol: a communications protocol designed to be used over a space link (see above), or in a network that contains one or multiple space links.

1.4 REFERENCES

The following documents are referenced in this Report. At the time of publication, the editions indicated were valid. All documents are subject to revision, and users of this Report are encouraged to investigate the possibility of applying the most recent editions of the documents indicated below. The CCSDS Secretariat maintains a register of currently valid CCSDS documents.

[1] *Procedures Manual for the Consultative Committee for Space Data Systems*. CCSDS A00.0-Y-9. Yellow Book. Issue 9. Washington, D.C.: CCSDS, November 2003.

[2] *Information Technology—Open Systems Interconnection—Basic Reference Model: The Basic Model*. International Standard, ISO/IEC 7498-1. 2nd ed. Geneva: ISO, 1994.

- [3] Andrew S. Tanenbaum. *Computer Networks*. 3rd ed.. New Jersey: Prentice-Hall, 1996.
- [4] *Space Packet Protocol*. Recommendation for Space Data System Standards, CCSDS 133.0-B-1. Blue Book. Issue 1. Washington, D.C.: CCSDS, September 2003.
- [5] *TM Space Data Link Protocol*. Recommendation for Space Data System Standards, CCSDS 132.0-B-1. Blue Book. Issue 1. Washington, D.C.: CCSDS, September 2003.
- [6] *TC Space Data Link Protocol*. Recommendation for Space Data System Standards, CCSDS 232.0-B-1. Blue Book. Issue 1. Washington, D.C.: CCSDS, September 2003.
- [7] *AOS Space Data Link Protocol*. Recommendation for Space Data System Standards, CCSDS 732.0-B-2. Blue Book. Issue 2. Washington, D.C.: CCSDS, July 2006.
- [8] *TM Synchronization and Channel Coding*. Recommendation for Space Data System Standards, CCSDS 131.0-B-1. Blue Book. Issue 1. Washington, D.C.: CCSDS, September 2003.
- [9] *TC Synchronization and Channel Coding*. Recommendation for Space Data System Standards, CCSDS 231.0-B-1. Blue Book. Issue 1. Washington, D.C.: CCSDS, September 2003.
- [10] *Radio Frequency and Modulation Systems—Part 1: Earth Stations and Spacecraft*. Recommendation for Space Data System Standards, CCSDS 401.0-B-17. Blue Book. Issue 17. Washington, D.C.: CCSDS, July 2006.
- [11] *Space Communications Protocol Specification (SCPS)—Network Protocol (SCPS-NP)*. Recommendation for Space Data System Standards, CCSDS 713.0-B-1. Blue Book. Issue 1. Washington, D.C.: CCSDS, May 1999.
- [12] *Space Communications Protocol Specification (SCPS)—Security Protocol (SCPS-SP)*. Recommendation for Space Data System Standards, CCSDS 713.5-B-1. Blue Book. Issue 1. Washington, D.C.: CCSDS, May 1999.
- [13] *Space Communications Protocol Specification (SCPS)—Transport Protocol (SCPS-TP)*. Recommendation for Space Data System Standards, CCSDS 714.0-B-2. Blue Book. Issue 2. Washington, D.C.: CCSDS, October 2006.
- [14] *Space Communications Protocol Specification (SCPS)—File Protocol (SCPS-FP)*. Recommendation for Space Data System Standards, CCSDS 717.0-B-1. Blue Book. Issue 1. Washington, D.C.: CCSDS, May 1999.
- [15] *CCSDS File Delivery Protocol (CFDP)*. Recommendation for Space Data System Standards, CCSDS 727.0-B-4. Blue Book. Issue 4. Washington, D.C.: CCSDS, January 2007.

- [16] *Lossless Data Compression*. Recommendation for Space Data System Standards, CCSDS 121.0-B-1. Blue Book. Issue 1. Washington, D.C.: CCSDS, May 1997.
- [17] *Image Data Compression*. Recommendation for Space Data System Standards, CCSDS 122.0-B-1. Blue Book. Issue 1. Washington, D.C.: CCSDS, November 2005.
- [18] *Proximity-1 Space Link Protocol—Data Link Layer*. Recommendation for Space Data System Standards, CCSDS 211.0-B-4. Blue Book. Issue 4. Washington, D.C.: CCSDS, July 2006.
- [19] *Proximity-1 Space Link Protocol—Coding and Synchronization Sublayer*. Recommendation for Space Data System Standards, CCSDS 211.2-B-1. Blue Book. Issue 1. Washington, D.C.: CCSDS, April 2003.
- [20] *Proximity-1 Space Link Protocol—Physical Layer*. Recommendation for Space Data System Standards, CCSDS 211.1-B-3. Blue Book. Issue 3. Washington, D.C.: CCSDS, March 2006.
- [21] *Information Technology—Open Systems Interconnection—Basic Reference Model—Conventions for the Definition of OSI Services*. International Standard, ISO/IEC 10731:1994. Geneva: ISO, 1994.
- [22] J. Postel. *Internet Protocol*. STD 5, September 1981. [RFC 791, RFC 950, RFC 919, RFC 922, RFC 792, RFC 1112][†]
- [23] S. Deering and R. Hinden. *Internet Protocol, Version 6 (IPv6) Specification*. RFC 1883, December 1995.
- [24] J. Postel. *Transmission Control Protocol*. STD 7, September 1981. [RFC 793]
- [25] J. Postel. *User Datagram Protocol*. STD 6, August 1980. [RFC 768]
- [26] J. Postel and J. Reynolds. *File Transfer Protocol*. STD 9, October 1985. [RFC 959]
- [27] S. Kent and K. Seo. *Security Architecture for the Internet Protocol*. RFC 4301, December 2005.
- [28] *Space Link Identifiers*. Recommendation for Space Data System Standards, CCSDS 135.0-B-3. Blue Book. Issue 3. Washington, D.C.: CCSDS, October 2006.
- [29] *Encapsulation Service*. Recommendation for Space Data System Standards, CCSDS 133.1-B-1. Blue Book. Issue 1. Washington, D.C.: CCSDS, June 2006.

[†] Internet Request for Comments (RFC) texts are available on line in various locations (e.g., <http://ietf.org/rfc/>). In this list, Internet Standards are identified by 'STD' followed by the number of the standard, and RFCs are identified by 'RFC' followed by the number of the RFC. RFCs comprised by Internet Standards are given in square brackets following the citation.

- [30] *Communications Operation Procedure-1*. Recommendation for Space Data System Standards, CCSDS 232.1-B-1. Blue Book. Issue 1. Washington, D.C.: CCSDS, September 2003.
- [31] *Space Data Link Protocols—Summary of Concept and Rationale*. Report Concerning Space Data System Standards, CCSDS 130.2-G-1. Green Book. Issue 1. Washington, D.C.: CCSDS, December 2007.
- [32] *Proximity-1 Space Link Protocol—Rationale, Architecture, and Scenarios*. Report Concerning Space Data System Standards, CCSDS 210.0-G-1. Green Book. Issue 1. Washington, D.C.: CCSDS, August 2007.
- [33] *TM Synchronization and Channel Coding—Summary of Concept and Rationale*. Report Concerning Space Data System Standards, CCSDS 130.1-G-1. Green Book. Issue 1. Washington, D.C.: CCSDS, June 2006.
- [34] *TC Synchronization and Channel Coding—Summary of Concept and Rationale*. Report Concerning Space Data System Standards, CCSDS 230.1-G-1. Green Book. Issue 1. Washington, D.C.: CCSDS, June 2006.
- [35] *Space Packet Protocol*. Draft Report Concerning Space Data System Standards, CCSDS 130.3-G-0.4. Draft Green Book. Issue 0.4. Washington, D.C.: CCSDS, August 2005.
- [36] “Various Documents and Reports.” *Space Communications Protocol Standards (SCPS)*. Jet Propulsion Laboratory. <<http://www.scps.org/html/documents.html>>
- [37] *CCSDS File Delivery Protocol (CFDP)—Part 1: Introduction and Overview*. Report Concerning Space Data System Standards, CCSDS 720.1-G-3. Green Book. Issue 3. Washington, D.C.: CCSDS, April 2007.
- [38] *Lossless Data Compression*. Report Concerning Space Data System Standards, CCSDS 120.0-G-2. Green Book. Issue 2. Washington, D.C.: CCSDS, December 2006.
- [39] *The Application of CCSDS Protocols to Secure Systems*. Report Concerning Space Data System Standards, CCSDS 350.0-G-2. Green Book. Issue 2. Washington, D.C.: CCSDS, January 2006.
- [40] *Space Link Extension—Return All Frames Service Specification*. Recommendation for Space Data System Standards, CCSDS 911.1-B-2. Blue Book. Issue 2. Washington, D.C.: CCSDS, December 2004.
- [41] *Space Link Extension—Return Channel Frames Service Specification*. Recommendation for Space Data System Standards, CCSDS 911.2-B-1. Blue Book. Issue 1. Washington, D.C.: CCSDS, December 2004.

- [42] *Space Link Extension—Return Operational Control Fields Service Specification*. Recommendation for Space Data System Standards, CCSDS 911.5-B-1. Blue Book. Issue 1. Washington, D.C.: CCSDS, December 2004.

- [43] *Space Link Extension—Forward CLTU Service Specification*. Recommendation for Space Data System Standards, CCSDS 912.1-B-2. Blue Book. Issue 2. Washington, D.C.: CCSDS, December 2004.

- [44] *Space Link Extension—Forward Space Packet Service Specification*. Recommendation for Space Data System Standards, CCSDS 912.3-B-1. Blue Book. Issue 1. Washington, D.C.: CCSDS, December 2004.

2 INTRODUCTION TO SPACE COMMUNICATIONS PROTOCOLS

2.1 HISTORY OF SPACE COMMUNICATIONS PROTOCOLS

Traditionally, telemetry transmitted from the spacecraft was formatted with a Time Division Multiplexing (TDM) scheme, where data items were multiplexed into a continuous stream of fixed-length frames based on a predefined multiplexing rule. To design and implement a data system for spacecraft, each project was forced to develop a custom system used by that project alone, with the exception of the ground tracking network, because of the lack of established standards in this field.

The advent of microprocessor-based spacecraft instruments and subsystems, however, enabled telemetry systems to become more flexible and have greater throughput so that data processed by onboard software could be transmitted efficiently.

In the early 1980s, CCSDS developed an international standard for a Packet Telemetry protocol capable of sending processed telemetry efficiently using a variable-length data unit called the Source Packet. Source Packets generated by various instruments and subsystems on a spacecraft are transmitted to the ground in a stream of continuous, fixed-length Transfer Frames. This standard has been used by many space projects enabling them to share onboard and ground data processing equipment.

Based on a similar concept, another international standard on Telecommand was developed by CCSDS, shortly after Packet Telemetry, for sending commands to a spacecraft with a data unit known as the TC Packet. TC Packets destined for various instruments and subsystems on a spacecraft are transmitted from the ground in a stream of sporadic, variable-length Transfer Frames.

In the late 1980s, CCSDS extended the above standards to meet the requirements of the Advanced Orbiting Systems, such as the International Space Station, and came up with a third standard known as AOS. The AOS standard added to the Packet Telemetry standard services for transmitting various types of online data (such as audio and video data). And it may be used on both space-to-ground and ground-to-space links. The AOS uses the same packet structure as the Packet Telemetry standard but the frame format is slightly different.

These three standards (Packet Telemetry, Telecommand, and AOS) were later restructured by CCSDS in order to define the protocols in a more structured and unified way, and the following standards replaced the original standards:

- a) Space Packet Protocol (reference [4]);
- b) TM, TC and AOS Space Data Link Protocols (references [5], [6], and [7], respectively);
- c) TM and TC Synchronization and Channel Coding (references [8] and [9], respectively).

As an international standard for the Radio Frequency (RF) signal between a spacecraft and a ground station, CCSDS developed a standard called Radio Frequency and Modulation Systems (reference [10]). This standard specifies the characteristics of the RF signal used to carry Packets and Frames.

In the 1990s, CCSDS developed another set of protocols collectively known as Space Communications Protocol Specifications (SCPS), which include SCPS Network Protocol (SCPS-NP) (reference [11]), SCPS Security Protocol (SCPS-SP) (reference [12]), SCPS Transport Protocol (SCPS-TP) (reference [13]), and SCPS File Protocol (SCPS-FP) (reference [14]). The SCPS protocols are generally based on Internet protocols. But modifications and extensions to the Internet protocols are incorporated in the design of the SCPS protocols to meet the specific needs of space missions.

In response to the needs of space missions to transfer files to and from an onboard mass memory, CCSDS has developed a protocol called the CCSDS File Delivery Protocol (CFDP) (reference [15]). This protocol provides the capability to transfer files reliably and efficiently over an unreliable protocol (for example, the Space Packet Protocol).

In the area of data compression, CCSDS has developed a Lossless Data Compression standard (reference [16]) and an Image Data Compression standard (reference [17]) either to increase the science return or to reduce the requirement for onboard memory, station contact time, and data archival volume. The former standard guarantees full reconstruction of the original data without incurring any distortion in the process, while with the latter standard, quantization or other approximations used in the compression process may result in the inability to reproduce the original data set without some distortion.

Recently CCSDS has developed a protocol called Proximity-1 Space Link Protocol (references [18], [19], and [20]) to be used over proximity space links. Proximity space links are defined to be short range, bi-directional, fixed or mobile radio links, generally used to communicate among fixed probes, landers, rovers, orbiting constellations, and orbiting relays. This protocol defines a data link protocol (reference [18]), coding and synchronization methods (reference [19]), and RF and modulation characteristics (reference [20]).

Security is of great concern to many space missions. CCSDS has published a Report (reference [39]) to provide guidance to missions that wish to use the CCSDS space communications protocols for spacecraft control and data handling but also require a level of security or data protection.

2.2 PROTOCOL LAYERS

2.2.1 SUMMARY

A communications protocol is usually associated with one of the seven layers defined in the OSI Basic Reference Model (reference [2]). Although some space communications protocols do not fit well with the OSI seven-layer model, this Report uses this model for categorizing the space communications protocols.

The space communications protocols are defined for the following five layers of the ISO model:

- a) Physical Layer;
- b) Data Link Layer;
- c) Network Layer;
- d) Transport Layer;
- e) Application Layer.

As in most terrestrial networks, protocols of the Session and Presentation Layers of the OSI model are rarely used over space links.

Figure 2-1 shows the space communications protocols categorized into the five layers listed above. Figure 2-2 shows some possible combinations of these protocols.

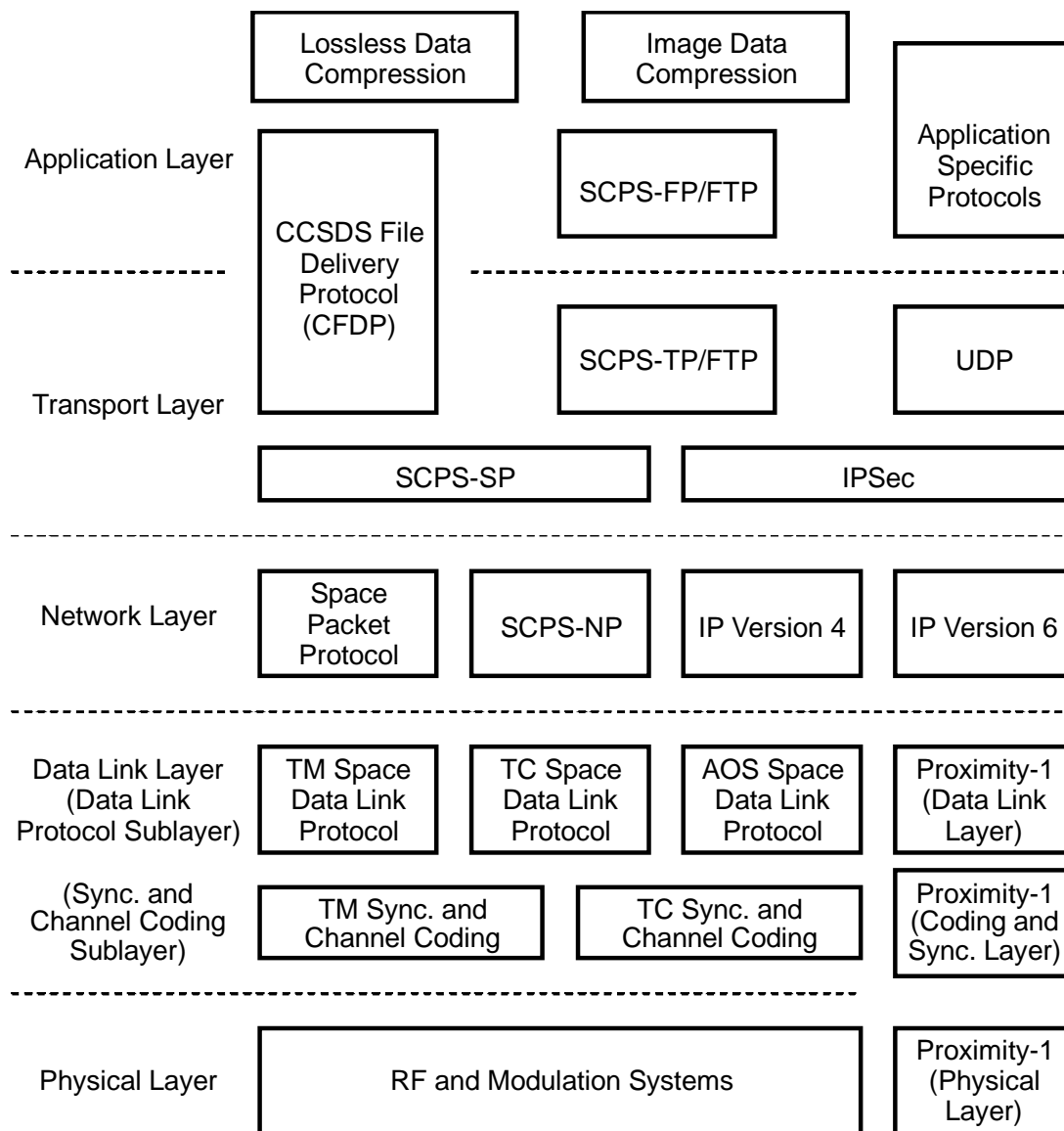
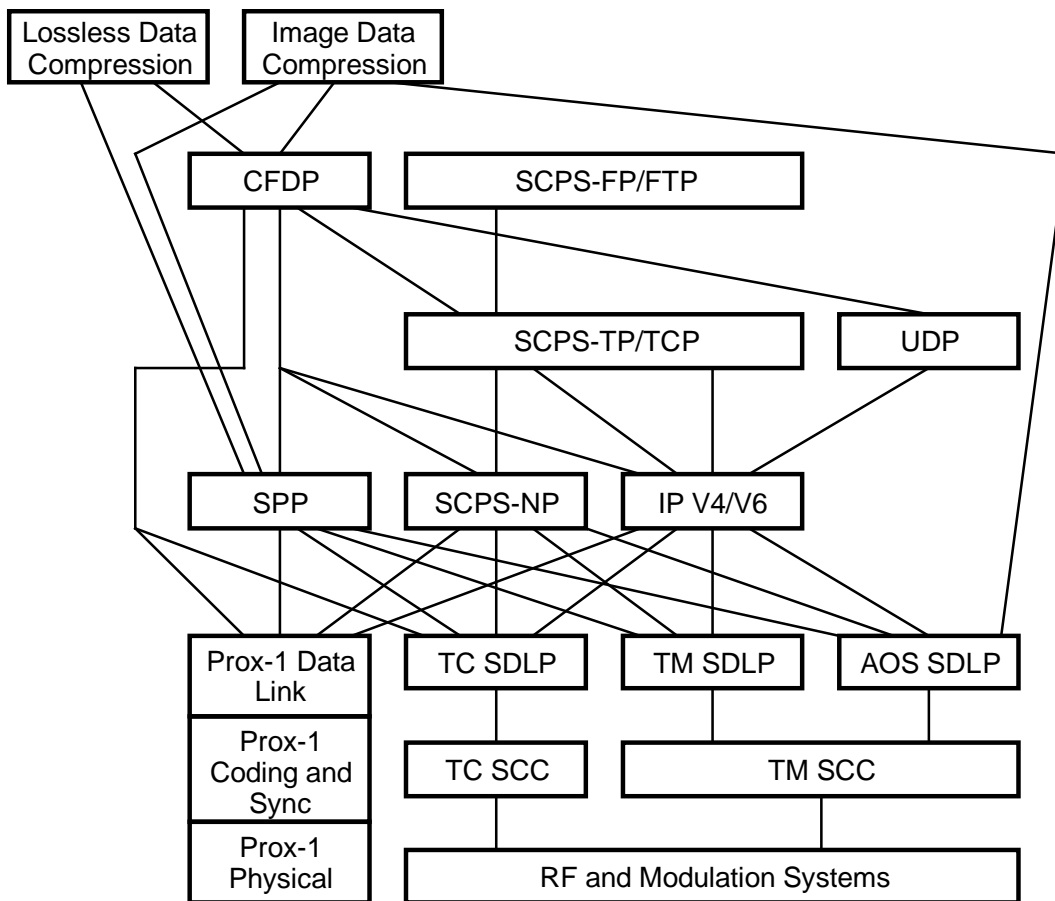


Figure 2-1: Space Communications Protocols Reference Model



SCPS-SP and IPsec can be used between the Transport and Network layers in any combination of protocols.

SPP = Space Packet Protocol
 SDLP = Space Data Link Protocol
 SCC = Synchronization and Channel Coding

Figure 2-2: Some Possible Combinations of Space Communications Protocols

In figure 2-1, there are two protocols that do not correspond to a single layer. CCSDS File Delivery Protocol (CFDP) has the functionality of the Transport and Application Layers. Proximity-1 Space Link Protocol has the functionality of the Data Link and Physical Layers.

Although CCSDS does not formally define Application Program Interfaces (APIs) for the space communications protocols, most CCSDS standards provide service definitions in the form of primitives following the conventions established by ISO (see reference [21]). A primitive is an abstract representation of an API that does not depend on any implementation technology and thus should be used as the baseline for an API.

In the following subsections, the protocols shown in figure 2-1 are briefly introduced. Major features of these protocols will be explained in section 3.

2.2.2 PHYSICAL LAYER

CCSDS has a standard for the Physical Layer called the Radio Frequency and Modulation Systems (reference [10]) to be used for space links between spacecraft and ground stations. The Proximity-1 Space Link Protocol also contains recommendations for the Physical Layer of proximity space links (reference [20]).

2.2.3 DATA LINK LAYER

CCSDS defines two Sublayers in the Data Link Layer of the OSI Model: Data Link Protocol Sublayer and Synchronization and Channel Coding Sublayer. The Data Link Protocol Sublayer specifies methods of transferring data units provided by the higher layer over a space link using data units known as Transfer Frames. The Synchronization and Channel Coding Sublayer specifies methods of synchronization and channel coding for transferring Transfer Frames over a space link.

CCSDS has developed four protocols for the Data Link Protocol Sublayer of the Data Link Layer:

- a) TM Space Data Link Protocol (reference [5]);
- b) TC Space Data Link Protocol (reference [6]);
- c) AOS Space Data Link Protocol (reference [7]);
- d) Proximity-1 Space Link Protocol—Data Link Layer (reference [18]).

The above protocols provide the capability to send data over a single space link.

CCSDS has developed three standards for the Synchronization and Channel Coding Sublayer of the Data Link Layer:

- a) TM Synchronization and Channel Coding (reference [8]);
- b) TC Synchronization and Channel Coding (reference [9]);
- c) Proximity-1 Space Link Protocol—Coding and Synchronization Layer (reference [19]).

TM Synchronization and Channel Coding is used with the TM or AOS Space Data Link Protocol, TC Synchronization and Channel Coding is used with the TC Space Data Link Protocol, and the Proximity-1 Space Link Protocol—Coding and Synchronization Layer is used with the Proximity-1 Space Link Protocol—Data Link Layer.

The TM, TC and AOS Space Data Link Protocols and the Proximity-1 Space Link Protocol (Data Link Layer) are called the Space Data Link Protocols in this document.

2.2.4 NETWORK LAYER

Space communications protocols of the Network Layer provide the function of routing higher-layer data through the entire data system that includes both onboard and ground subnetworks.

CCSDS has developed two protocols for the Network Layer:

- a) Space Packet Protocol (reference [4]);
- b) SCPS Network Protocol (SCPS-NP) (reference [11]).

In some cases, Protocol Data Units (PDUs) of the Space Packet Protocol are generated and consumed by application processes themselves on a spacecraft, instead of being generated and consumed by a separate protocol entity, and in these cases this protocol is used both as a Network Layer protocol and as an Application Layer protocol.

PDUs of a Network Layer protocol are transferred with Space Data Link Protocols over a space link.

The following protocols developed by the Internet can also be transferred with Space Data Link Protocols over a space link, multiplexed or not-multiplexed with the Space Packet Protocol and/or SCPS-NP:

- a) Internet Protocol (IP), Version 4 (reference [22]);
- b) Internet Protocol (IP), Version 6 (reference [23]).

2.2.5 TRANSPORT LAYER

Space communications protocols of the Transport Layer provide users with end-to-end transport services.

CCSDS has developed the SCPS Transport Protocol (SCPS-TP) (reference [13]) for the Transport Layer. The CCSDS File Delivery Protocol (CFDP) (reference [15]) also provides the functionality of the Transport Layer, but it provides some functions (i.e., functions for file management) of the Application Layer as well.

PDUs of a Transport Layer protocol are usually transferred with a protocol of the Network Layer over a space link, but they can be transferred directly with a Space Data Link Protocol if certain conditions are met.

Transport protocols used in the Internet (such as TCP, reference [24], and UDP, reference [25]) can also be used on top of SCPS-NP, IP Version 4, and IP Version 6 over space links.

SCPS Security Protocol (SCPS-SP) (reference [12]) and IPSec (reference [27]) may be used with a Transport protocol to provide end-to-end data protection capability.

2.2.6 APPLICATION LAYER

Space communications protocols of the Application Layer provide users with end-to-end application services such as file transfer and data compression.

CCSDS has developed three protocols for the Application Layer:

- a) SCPS File Protocol (SCPS-FP) (reference [14]);
- b) Lossless Data Compression (reference [16]);
- c) Image Data Compression (reference [17]).

The CCSDS File Delivery Protocol (CFDP) (reference [15]) provides the functionality of the Application Layer (i.e., functions for file management), but it also provides functions of the Transport Layer.

Each project (or Agency) may elect to use application-specific protocols not recommended by CCSDS to fulfill their mission requirements in the Application Layer over CCSDS space communications protocols.

PDU's of an Application Layer protocol (excluding CFDP) are usually transferred with a protocol of the Transport Layer over a space link, but they can be transferred directly with a protocol of the Network Layer if certain conditions are met.

Applications protocols used in the Internet (such as FTP, reference [26]) can also be used on top of SCPS-TP, TCP and UDP over space links.

3 MAJOR FEATURES OF SPACE COMMUNICATIONS PROTOCOLS

3.1 PHYSICAL LAYER

The CCSDS Recommendation Standard for Radio Frequency and Modulation Systems (reference [10]) recommends the characteristics of the RF and modulation systems used for communications over space links between spacecraft and ground stations.

The Proximity-1 Space Link Protocol—Physical Layer (reference [20]) also contains recommendations for the Physical Layer of proximity space links.

3.2 DATA LINK LAYER

3.2.1 GENERAL FEATURES OF DATA LINK PROTOCOLS

CCSDS has developed four protocols for the Data Link Protocol Sublayer of the Data Link Layer:

- a) TM Space Data Link Protocol (reference [5]);
- b) TC Space Data Link Protocol (reference [6]);
- c) AOS Space Data Link Protocol (reference [7]);
- d) Data Link Protocol Sublayer portion of Proximity-1 Space Link Protocol (reference [18]).

These protocols (collectively known as Space Data Link Protocols) provide the capability to transfer various types of data on space links, but their principal function is to transfer variable-length data units known as packets (i.e., protocol data units of protocols of the Network Layer such as the Space Packet Protocol, SCPS-NP, and IP).

Each packet format transferred by the Space Data Link Protocols must have a Packet Version Number (PVN) authorized by CCSDS. A list of the Packet Version Numbers presently authorized by CCSDS is contained in reference [28]. Packets with authorized Packet Version Numbers can be transferred by the Space Data Link Protocols directly, but CCSDS has another mechanism to transfer other packets with a service called the Encapsulation Service, defined in reference [29]. With this service, packets are transferred by the Space Data Link Protocols encapsulated in either Space Packets defined in reference [4] or Encapsulation Packets defined in reference [29].

The TM Space Data Link Protocol is usually used for (but not limited to) sending telemetry from a spacecraft to a ground station (i.e., on a return link). The TC Space Data Link Protocol is usually used for (but not limited to) sending commands from a ground station to a spacecraft (i.e., on a forward link). The AOS Space Data Link Protocol may be used on a return link alone, or on both forward and return links if there is a need for two-way on-line

communications (e.g., audio and video) between a spacecraft and the ground. The Proximity-1 Space Link Protocol is to be used over proximity space links, where proximity space links are defined to be short range, bi-directional, fixed or mobile radio links, generally used to communicate among fixed probes, landers, rovers, orbiting constellations, and orbiting relays.

The protocol data units used by the Space Data Link Protocols are called Transfer Frames. The TM and AOS Space Data Link Protocols use fixed-length Transfer Frames to facilitate robust synchronization procedures over a noisy link, while the TC Space Data Link Protocol and the Proximity-1 Space Link Protocol use variable-length Transfer Frames to facilitate reception of short messages with a short delay.

A key feature of the Space Data Link Protocols is the concept of ‘Virtual Channels’. The Virtual Channel facility allows one Physical Channel (a stream of bits transferred over a space link in a single direction) to be shared among multiple higher-layer data streams, each of which may have different service requirements. A single Physical Channel may therefore be divided into several separate logical data channels, each known as a Virtual Channel (VC). Each Transfer Frame transferred over a Physical Channel belongs to one of the Virtual Channels of the Physical Channel.

The TC Space Data Link Protocol has a function of retransmitting lost or corrupted data to ensure delivery of data in sequence without gaps or duplication over a space link. This function is provided by a retransmission control mechanism called the Communications Operation Procedure-1 (COP-1), which is defined in a separate document (reference [30]). (This function does not necessarily guarantee end-to-end complete delivery.) The Proximity-1 Space Link Protocol also has a similar function called COP-P, which is defined in the Data Link Layer Recommended Standard (reference [18]). Neither the TM Space Data Link Protocol nor the AOS Space Data Link Protocol has such a function, so retransmission should be done by a higher-layer protocol if complete delivery of data is required.

The TM and AOS Space Data Link Protocols should be used together with the TM Synchronization and Channel Coding Recommended Standard (reference [8]). The TC Space Data Link Protocols should be used together with the TC Synchronization and Channel Coding Recommended Standard (reference [9]). The TM, TC, and AOS Space Data Link Protocols should be used on top of the Recommended Standard for Radio Frequency and Modulation Systems (reference [10]).

The Proximity-1 Space Link Protocol—Data Link Layer (reference [18]) should be used together with the Proximity-1 Space Link Protocol—Data Coding and Synchronization Layer (reference [19]) and on top of the Proximity-1 Space Link Protocol—Physical Layer (reference [20]).

A summary of concept and rationale of the TM, TC and AOS Space Data Link Protocols is contained in reference [31]. A summary of rationale, architecture and scenarios of the Proximity-1 Space Link Protocol is contained in reference [32].

3.2.2 IDENTIFIERS USED BY DATA LINK PROTOCOLS

The Space Data Link Protocols provide some identifiers to identify data streams.

The TM, TC and AOS Space Data Link Protocols have the following three identifiers: the Transfer Frame Version Number (TFVN), the Spacecraft Identifier (SCID), and the Virtual Channel Identifier (VCID).

The Transfer Frame Version Number (TFVN) is used to distinguish among different Transfer Frames. However, different Transfer Frames must not be multiplexed on a Physical Channel.

The concatenation of a TFVN and a SCID is known as a Master Channel Identifier (MCID), which is used for identifying a spacecraft associated with a space link.

All Transfer Frames with the same MCID on a Physical Channel constitute a Master Channel (MC). A Master Channel consists of one or more Virtual Channels, each of which is identified with a VCID. In most cases, a Physical Channel carries only Transfer Frames of a single MCID, and the Master Channel will be identical with the Physical Channel. However, a Physical Channel may carry Transfer Frames with multiple MCIDs (with the same TFVN). In such a case, the Physical Channel consists of multiple Master Channels. A Physical Channel is identified with a Physical Channel Name, which is set by management and not included in the header of Transfer Frames.

The TC Space Data Link Protocol uses an optional identifier, called the Multiplexer Access Point Identifier (MAP ID), that is used to create multiple streams of data within a Virtual Channel. All the Transfer Frames on a Virtual Channel with the same MAP ID constitute a MAP Channel. If the MAP ID is used, a Virtual Channel consists of one or multiple MAP Channels.

Figure 3-1 shows the relationship among the channels of the TM, TC, and AOS Space Data Link Protocols.

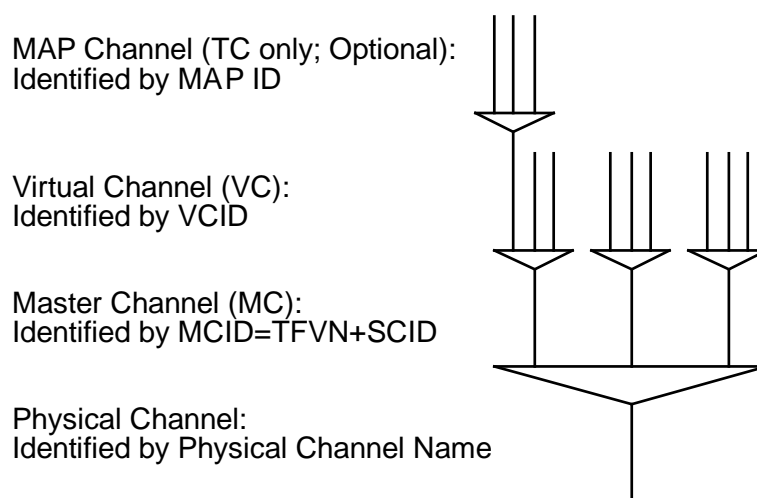


Figure 3-1: Relationships between Channels of the Space Data Link Protocols

The Proximity-1 Space Link Protocol—Data Link Layer uses a triad of multiplexing capabilities, which is incorporated for specific functionality within the link. The Spacecraft Identifier (SCID) identifies the source or destination of Transfer Frames transported in the link connection based upon the Source-or-Destination Identifier. The Physical Channel Identifier (PCID) provides two independently multiplexed channels. The Port ID provides the means to route user data internally (at the transceiver’s output interface) to specific logical ports, such as applications or transport processes, or to physical ports, such as on-board buses or physical connections (including hardware command decoders).

Table 3-1 summarizes the identifiers of the Space Data Link Protocols.

Table 3-1: Identifiers of Space Data Link Protocols

Identifiers	TM Space Data Link Protocol	TC Space Data Link Protocol	AOS Space Data Link Protocol	Proximity-1 Space Link Protocol—Data Link Layer
Transfer Frame Version Number (TFVN)	Always 1 (binary encoded number is 00)	Always 1 (binary encoded number is 00)	Always 2 (binary encoded number is 01)	Always 3 (binary encoded number is 10)
Spacecraft Identifier (SCID)	0 to 1023	0 to 1023	0 to 255	0 to 1023
Physical Channel Identifier (PCID)	N/A	N/A	N/A	0 to 1
Virtual Channel Identifier (VCID)	0 to 7	0 to 63	0 to 63	N/A
Multiplexer Access Point Identifier (MAP ID)	N/A	0 to 63	N/A	N/A
Port Identifier	N/A	N/A	N/A	0 to 7

3.2.3 SERVICES PROVIDED BY DATA LINK PROTOCOLS

The Space Data Link Protocols provide several services to transfer a variety of data on a space link. The most important service is a service to transfer variable-length data units known as packets (i.e., protocol data units of protocols of the Network Layer). In addition to this service, the Space Data Link Protocols provide services to transfer fixed- or variable-length data units with private (non-CCSDS) formats, short fixed-length data units for reporting on real-time functions, and bit streams.

Table 3-2 shows a summary of the services provided by the TM/TC/AOS Space Data Link Protocols categorized by the types of data transferred by the services. For complete definition of these services, refer to references [5], [6], and [7].

NOTE – The Proximity-1 Space Link Protocol is not included in this table because no service definition is given in the current Recommended Standards (references [18], [19] and [20]).

Table 3-2: Summary of Services Provided by Space Data Link Protocols

Type of Service Data Units	TM Space Data Link Protocol	TC Space Data Link Protocol	AOS Space Data Link Protocol
Packets (NOTE 1)	Packet Service, Encapsulation Service	MAP Packet Service, VC Packet Service, Encapsulation Service	Packet Service, Encapsulation Service
Fixed-length private data	VC Access Service	(None)	VC Access Service
Variable-length private data	(None)	MAP Access Service, VC Access Service	(None)
Short fixed-length data	VC FSH Service (NOTE 2), MC FSH Service, VC OCF Service (NOTE 3), MC OCF Service	(None)	Insert Service, VC OCF Service (NOTE 3)
Bit stream	(None)	(None)	Bitstream Service
Transfer Frames	VC Frame Service, MC Frame Service	VC Frame Service, MC Frame Service	VC Frame Service, MC Frame Service

NOTES

- 1 Packets directly transferred by the Space Data Link Protocols must have Packet Version Numbers authorized by CCSDS. A list of authorized Packet Version Numbers is found in reference [28]. Other packets can be transferred using the Encapsulation Service defined in reference [29].
- 2 FSH = Frame Secondary Header.
- 3 OCF = Operational Control Field.

3.2.4 SYNCHRONIZATION AND CHANNEL CODING

The standards of the Synchronization and Channel Coding Sublayer provide some additional functions necessary for transferring Transfer Frames over space links. These functions are delimiting/synchronizing Transfer Frames, error-correction coding/decoding, and bit transition generation/removal. CCSDS has three standards for Synchronization and Channel Coding:

- a) TM Synchronization and Channel Coding (reference [8]);
- b) TC Synchronization and Channel Coding (reference [9]);
- c) Proximity-1 Space Link Protocol—Coding and Synchronization Layer (reference [19]).

TM Synchronization and Channel Coding is used with the TM or AOS Space Data Link Protocol, and TC Synchronization and Channel Coding is used with the TC Space Data Link Protocol. The synchronization and channel coding schemes used with the Proximity-1 Space Link Protocol are defined in reference [19].

Table 3-3 summarizes the functions and schemes provided by the Synchronization and Channel Coding standards.

Table 3-3: Functions of Synchronization and Channel Coding Standards

Functions	TM Synchronization and Channel Coding	TC Synchronization and Channel Coding	Proximity-1 Space Link Protocol—Coding and Synchronization Layer
Error Correction	Convolutional Codes* Turbo Codes* Reed Solomon Codes*	BCH Code*	Convolutional Code*
Error Detection/ Frame Validation	Reed Solomon Codes* Frame Error Control Field* (see NOTE 2)	BCH Code Frame Error Control Field* (see NOTE 2)	Attached Cyclic Redundancy Code*
Pseudo-Randomization	Cyclic Pseudo-noise Sequence*	Cyclic Pseudo-noise Sequence*	(Not used)
Frame Synchronization	32-bit Attached Sync Marker	16-bit Start Sequence	24-bit Attached Sync Marker

NOTES

- 1 ‘*’ in the table denotes an optional function.
- 2 The Frame Error Control Field is defined in the Recommended Standards on the TM/TC/AOS Space Data Link Protocols, and not in the Recommended Standards on Synchronization and Channel Coding.

Summaries of concept and rationale for TM Synchronization and Channel Coding, TC Synchronization and Channel Coding, and Proximity-1 Space Link Protocol—Coding and Synchronization Layer are contained in references [33], [34], and [32], respectively.

3.3 NETWORK LAYER

3.3.1 GENERAL FEATURES OF NETWORK PROTOCOLS

CCSDS has developed two protocols for the Network Layer:

- a) Space Packet Protocol (reference [4]);
- b) SCPS Network Protocol (SCPS-NP) (reference [11]).

These protocols are developed to transfer data (1) from a source on a spacecraft to one or multiple destinations on the ground or on (an)other spacecraft, or (2) from a source on the ground to one or multiple destinations on one or multiple spacecraft. When protocol data units of these protocols traverse the data system of a space mission (i.e., onboard networks, onboard data handling system, ground stations, control centers), the address(es) attached to each packet is used for determining the route of that packet.

The Space Packet Protocol provides the capability to transfer processed data efficiently over space links and the capability for routing data through a space data system. SCPS-NP provides a variety of addressing and routing capabilities, some of which are compatible with the Internet, and can be used with SCPS or Internet upper-layer protocols.

The protocol data units of the Space Packet Protocol are called Space Packets, while the protocol data units of SCPS-NP are called SCPS-NP datagrams.

These protocols do not provide a function for retransmitting lost or corrupted data, so retransmission should be done by a higher-layer protocol if complete delivery of data is required.

Over a space link, protocol data units of these protocols are transferred with Space Data Link Protocols.

A summary of concept and rationale of the Space Packet Protocol is contained in reference [35]. A summary of concept and rationale of SCPS-NP is contained in reference [36].

The Space Data Link Protocols have the capability to carry the protocol data units of the following protocols developed by the Internet, multiplexed or not-multiplexed with the Space Packet Protocol and/or SCPS-NP:

- a) Internet Protocol (IP), Version 4 (reference [22]);
- b) Internet Protocol (IP), Version 6 (reference [23]).

Protocol data units (datagrams) of IP Version 6 are transferred by Space Data Link Protocols using Encapsulation Packets defined in reference [29] in order for the Space Data Link Protocols to process IP Version 6 datagrams efficiently. Other protocols can also be transferred with the Space Data Link Protocols using the Encapsulation Service defined in reference [29].

3.3.2 ADDRESSING OF NETWORK PROTOCOLS

Two types of addresses are used by the Network Layer protocols: Path Address and End System Address. A Path Address identifies a logical data path in the network from a source to one or multiple destinations. Path Addresses may not be addresses as defined in reference [2], but CCSDS has been using Path Addresses as an efficient way of identifying logical connections in the Space Packet Protocol (reference [4]) and SCPS-NP (reference [11]). Configuration of logical data paths is done by management activities, and not by the protocol that transfers data. An End System Address identifies a single end system or a group of end systems. When an End System Address is used, a pair of End System Addresses must be used to identify both source and destination end systems.

Table 3-4 shows the addressing capability of the Network Layer protocols.

Table 3-4: Addressing Capability of Network Protocols

Protocol	Address Name	Address Type	Address Length	Note
Space Packet Protocol	Application Process Identifier (APID)	Path Address	11 bits	When APIDs have to be uniquely identified in a global network, the Spacecraft Identifier (SCID) is used to qualify APIDs.
SCPS-NP	Extended End System Address	End System Address	4 octets + 4 octets	IP addresses or SCPS address family addresses
	Extended Path Address	Path Address	4 octets	SCPS address family addresses
	Basic End System Address	End System Address	1 octet + 1 octet	SCPS address family addresses
	Basic Path Address	Path Address	1 octet	SCPS address family addresses
	IPv6 Address	End System Address	16 octets + 16 octets	IP version 6 addresses
IP Version 4	IP Address	End System Address	4 octets + 4 octets	
IP Version 6	IP Version 6 Address	End System Address	16 octets + 16 octets	

NOTES

- 1 The SCPS address family addresses are a subset of the IP version 4 address space with the first octet fixed to the decimal value of 10. They can be truncated to one octet (Basic Addresses) when there is no ambiguity in interpretation of the addresses.
- 2 Any of the five addresses shown above may be used for a SCPS-NP datagram.

3.4 TRANSPORT LAYER

CCSDS has developed the SCPS Transport Protocol (SCPS-TP) (reference [13]) for the Transport Layer. The CCSDS File Delivery Protocol (CFDP) (reference [15]) also provides the functionality of the Transport Layer, but it provides some functions (i.e., functions for file management) of the Application Layer as well.

SCPS-TP supports end-to-end communications between applications and is designed to meet the needs of a broad range of space missions. It defines extensions to TCP and incorporates UDP by reference. It may be used on top of SCPS-NP, IP Version 4, or IP Version 6. A summary of concept and rationale of SCPS-TP is contained in reference [36].

CFDP is designed to meet the needs of space missions to transfer files to and from an onboard mass memory. It is a file transfer protocol, but it also provides the functionality of the Transport Layer for detecting and retransmitting corrupted or lost data. It can be used on top of any protocol of the Network Layer (e.g., Space Packet Protocol, SCPS-NP, IP Version 4, or IP Version 6), or directly on top of the TC Space Data Link Protocol or Proximity-1 Space Link Protocol if a Virtual Channel, a MAP, or a Port is dedicated to CFDP. In some circumstances it can be used on top of UDP, TCP or SCPS-TP. A summary of concept and rationale of CFDP is contained in reference [37].

Transport protocols used in the Internet (such as TCP, reference [24], and UDP, reference [25]) can also be used on top of SCPS-NP, IP Version 4, and IP Version 6 over space links.

SCPS Security Protocol (SCPS-SP) (reference [12]) and IPSec (reference [27]) can be used with the above protocols to provide end-to-end data protection capability. A summary of concept and rationale of SCPS-SP is contained in reference [36].

3.5 APPLICATION LAYER

CCSDS has developed three protocols for the Application Layer:

- a) SCPS File Protocol (SCPS-FP) (reference [14]);
- b) Lossless Data Compression (reference [16]);
- c) Image Data Compression (reference [17]).

The CCSDS File Delivery Protocol (CFDP) (reference [15]) provides the functionality of the Application Layer (i.e., functions for file management), but it also provides functions of the Transport Layer.

SCPS-FP provides a file transfer service and is designed to meet the needs of current and future space missions. It is based on FTP of the Internet and is intended to be used on top of SCPS-TP or TCP. A summary of concept and rationale of SCPS-FP is contained in reference [36].

The Lossless Data Compression standard was developed to increase the science return as well as to reduce the requirement for onboard memory, station contact time, and data archival

volume. This standard guarantees full reconstruction of the original data without incurring any distortion in the process. It is intended to be used together with the Space Packet Protocol or CFDP. A summary of concept and rationale of Lossless Data Compression is contained in reference [38].

The Image Data Compression standard was developed to establish a standard for a data compression algorithm applied to digital image two-dimensional spatial data from payload instruments. With this standard, quantization or other approximations used in the compression process may result in the inability to reproduce the original data set without some distortion. It is intended to be used together with the Space Packet Protocol, CFDP, or the AOS Space Data Link Protocol.

Applications protocols used in the Internet can be used over TCP (with or without the SCPS-TP extensions) or UDP. Typically, an application is written to use the reliable stream-oriented service of TCP *or* the unreliable datagram service of UDP, but not both. Some exceptions to this exist, however, in which applications are written to operate over either service.

Each project (or Agency) may elect to use application-specific protocols not recommended by CCSDS to fulfill their mission requirements in the Application Layer over CCSDS space communications protocols.

4 EXAMPLES OF PROTOCOL CONFIGURATIONS

4.1 GENERAL

This section shows some examples of how space communications protocols of various layers are used in space data systems.

Five examples of protocol configurations are shown in this section. There are many other combinations of protocols that can be used in space data systems, but it is not the intention of this Report to enumerate all possible combinations of protocols. The following examples are selected to illustrate the basic functionality of the space communications protocols.

For each example in this section, two diagrams are shown. The first diagram shows a stack of protocols used over a space link (i.e., a link between a spacecraft and a ground station or between two spacecraft).

A space data system consists of one or more onboard subnetworks, one or more space links, and one or more ground subnetworks. In this section, however, a simple space data system consisting of four major elements (see figure 4-1) is used to illustrate how space communications protocols are used in an end-to-end space data system. It will be shown that some space communications protocols are used for end-to-end communications between onboard and ground end systems, and some space communications protocols are used only for communications over the space link.

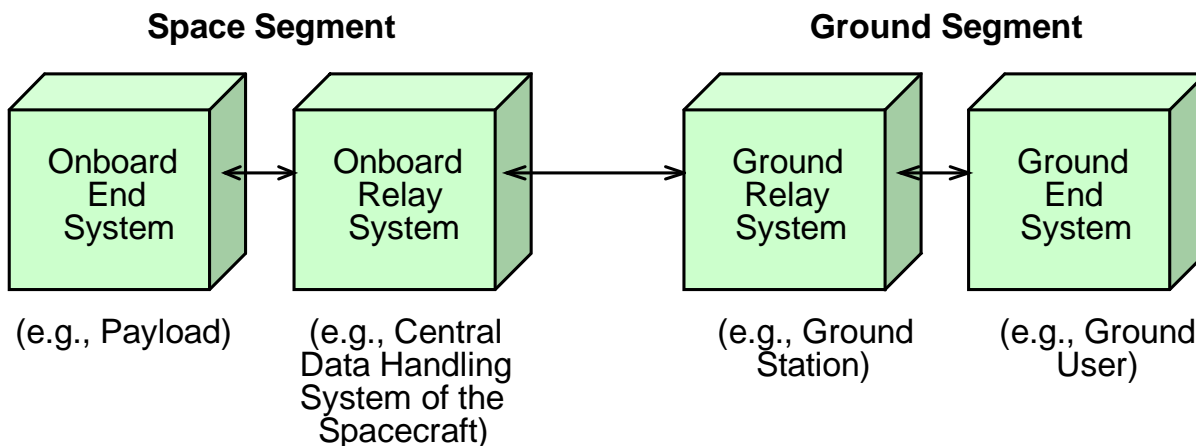


Figure 4-1: Simple Space Data System Model

The primary difference among the five examples shown in this section is the selection of the protocol used for end-to-end routing. In a space data system, user data traverse subnetworks (i.e., one or more onboard subnetworks, one or more space links, and one or more ground subnetworks). One of the protocols used in a space data system provides the capability of routing user data from a source to a destination through these subnetworks. This functionality is called ‘end-to-end routing’ in this Report.

The following protocols are used for end-to-end routing in the following examples:

- a) Space Packet Protocol;
- b) SCPS-NP and IP (version 4 or 6);
- c) IP version 4;
- d) IP version 6;
- e) CFDP.

NOTES

- 1 In the following figures, 'Prox Space Data Link Protocol' denotes the Proximity-1 Space Link Protocol—Data Link Layer.
- 2 In the following figures, the Synchronization and Channel Coding standards are omitted for simplicity reasons.

4.2 SPACE PACKET PROTOCOL FOR END-TO-END ROUTING

In this example, the Space Packet Protocol is used for end-to-end routing. The Space Packet Protocol was designed by CCSDS to meet the requirements of space missions for efficient transfer of processed data over space links. This configuration is suited to space missions that require the simple addressing and routing capabilities provided by the Space Packet Protocol.

Figure 4-2 shows an example of protocol configuration on a space link, and figure 4-3 shows an example of protocol configuration in an end-to-end space data system.

When the Space Packet Protocol is used for end-to-end routing, Space Packets are usually transferred with a Space Link Extension (SLE) Service (see references [40]-[44]) in the ground subnetwork.

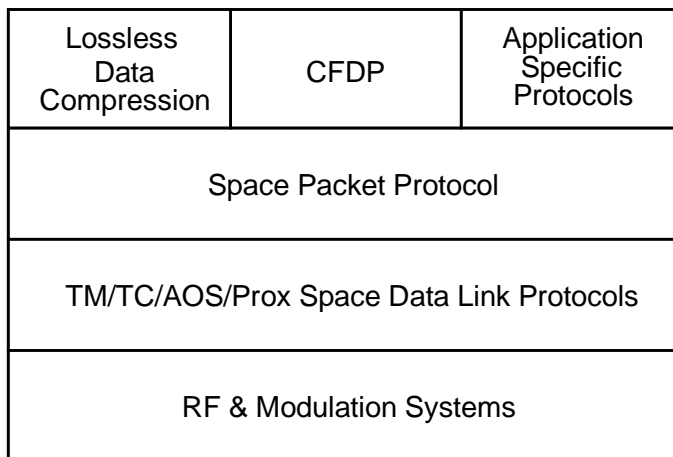


Figure 4-2: Protocol Configuration on a Space Link When Space Packet Protocol Is Used for End-to-End Routing

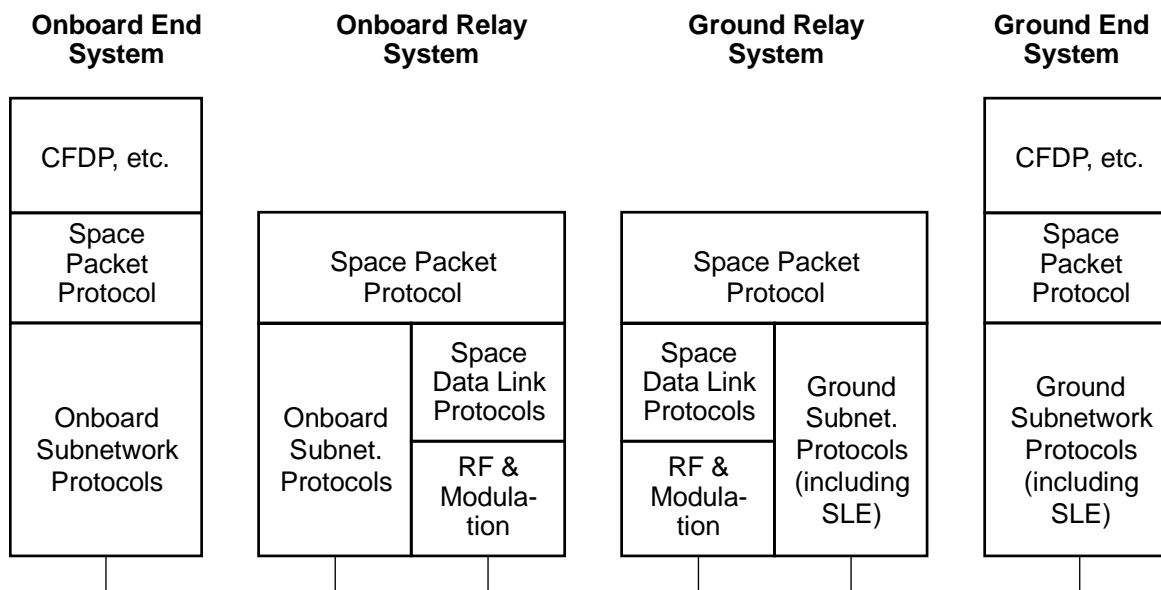


Figure 4-3: Protocol Configuration in a Space Data System When Space Packet Protocol Is Used for End-to-End Routing

4.3 SCPS-NP AND IP FOR END-TO-END ROUTING

In the second example, SCPS-NP and IP (either version 4 or 6) is used for end-to-end routing. This configuration is suited to space missions that require the extended addressing and routing capabilities provided by SCPS-NP and/or need to use SCPS or Internet upper-layer protocols.

Figure 4-4 shows an example of protocol configuration on a space link, and figure 4-5 shows an example of protocol configuration in an end-to-end space data system. In this

configuration, SCPS-NP is used for routing except in the ground subnetwork where IP is used for routing. A gateway at the ground relay system performs protocol conversion between SCPS-NP and IP.

Most SCPS and Internet end-to-end protocols can be used on top of SCPS-NP and IP. SCPS-TP can be converted to TCP/UDP at a relay system. More information on this configuration is found in reference [35].

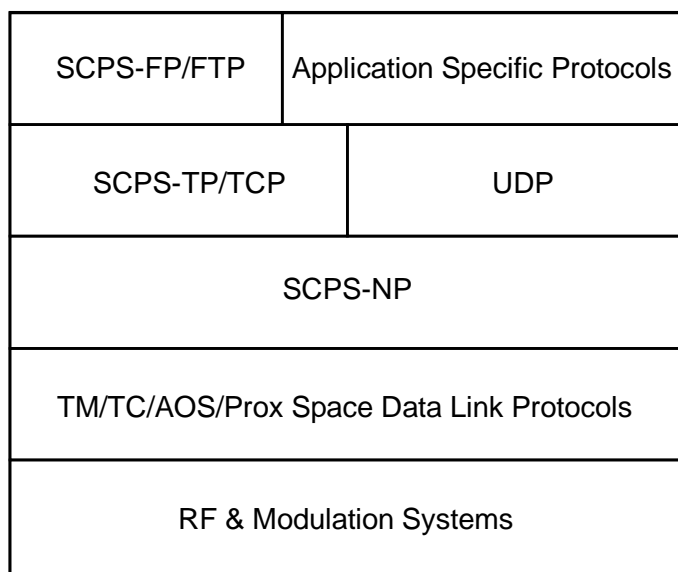


Figure 4-4: Protocol Configuration on a Space Link When SCPS-NP and IP Are Used for End-to-End Routing

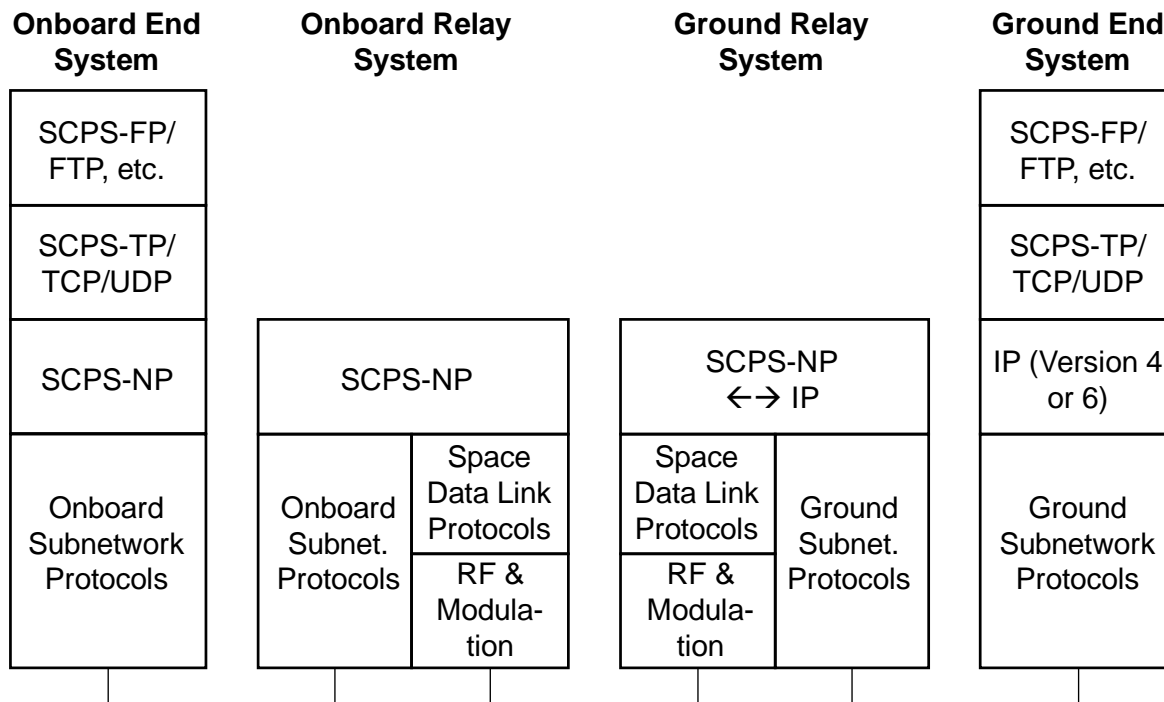


Figure 4-5: Protocol Configuration in a Space Data System When SCPS-NP and IP Are Used for End-to-End Routing

4.4 IP VERSION 4 FOR END-TO-END ROUTING

In the third example, IP version 4 is used for end-to-end routing. IP Version 4 is the protocol used for routing in the Internet, but it can also be carried by a Space Data Link Protocol over a space link. This configuration is suited to space missions that require integration of their space segments into the Internet.

Figure 4-6 shows an example of protocol configuration on a space link, and figure 4-7 shows an example of protocol configuration in an end-to-end space data system.

In this example, it is assumed that the Internet is directly extended into the space segment. Most Internet end-to-end protocols and SCPS-TP can be used on top of IP Version 4. SCPS-TP can be converted to TCP/UDP at a relay system.

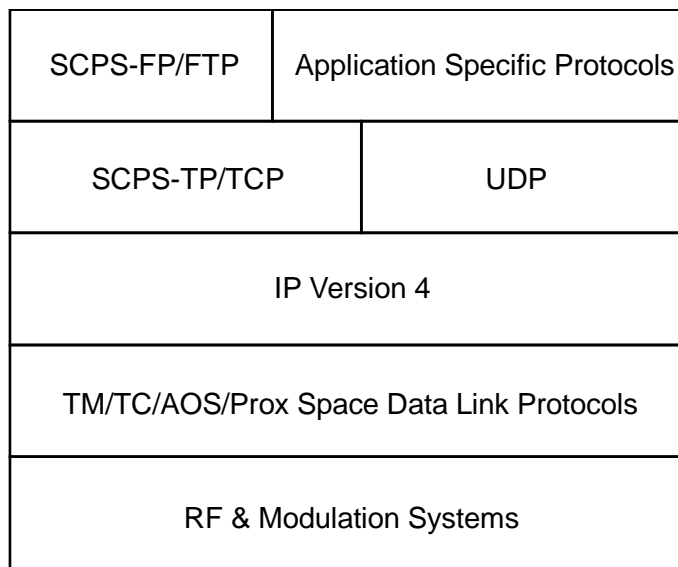


Figure 4-6: Protocol Configuration on a Space Link When IP Version 4 Is Used for End-to-End Routing

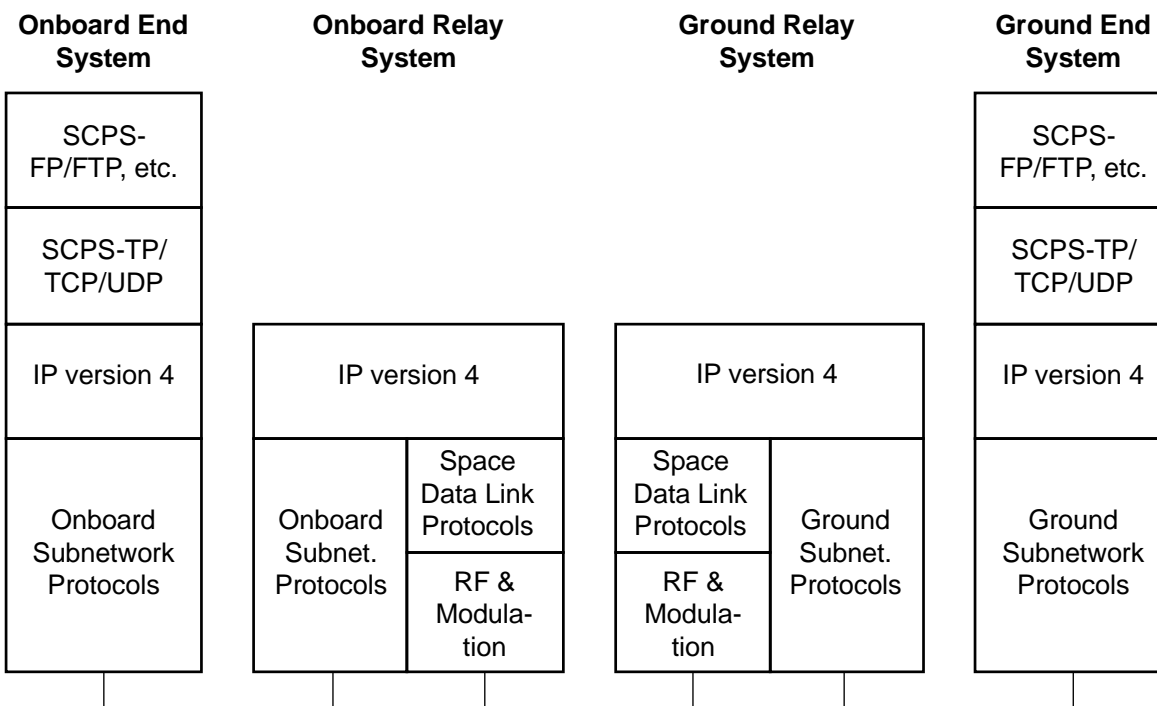


Figure 4-7: Protocol Configuration in a Space Data System When IP Version 4 Is Used for End-to-End Routing

4.5 IP VERSION 6 FOR END-TO-END ROUTING

In the fourth example, IP Version 6 is used for end-to-end routing. IP Version 6 is an upgraded version of IP Version 4 and is expected to replace the latter in the near future in the Internet. This configuration is suited to space missions that require integration of their space segments into the Internet when IP Version 6 is deployed.

Figure 4-8 shows an example of protocol configuration on a space link, and figure 4-9 shows an example of protocol configuration in an end-to-end space data system.

Protocol data units (datagrams) of IP version 6 are transferred by Space Data Link Protocols using Encapsulation Packets in order for the Space Data Link Protocols to process IP Version 6 datagrams efficiently.

In this example, it is assumed that the Internet is directly extended into the space segment. Most Internet end-to-end protocols and SCPS-TP can be used on top of IP Version 6. SCPS-TP can be converted to TCP/UDP at a relay system.

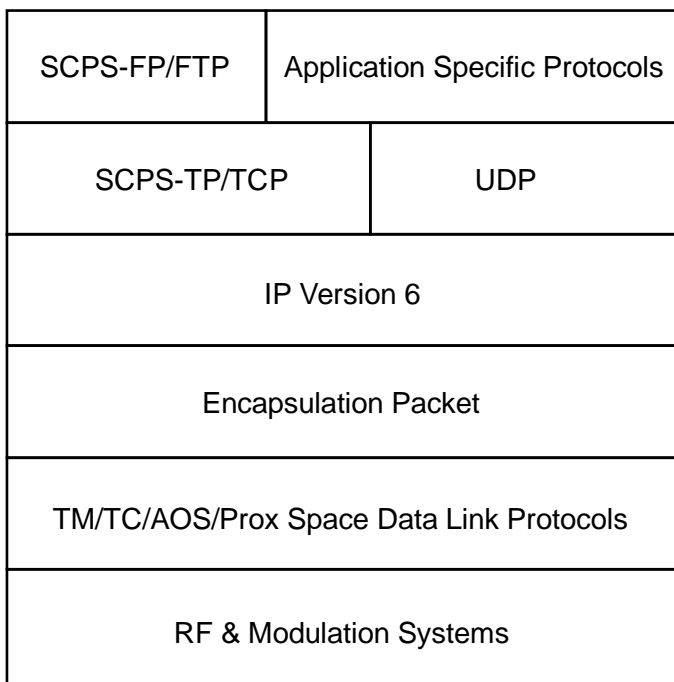


Figure 4-8: Protocol Configuration on a Space Link When IP Version 6 Is Used for End-to-End Routing

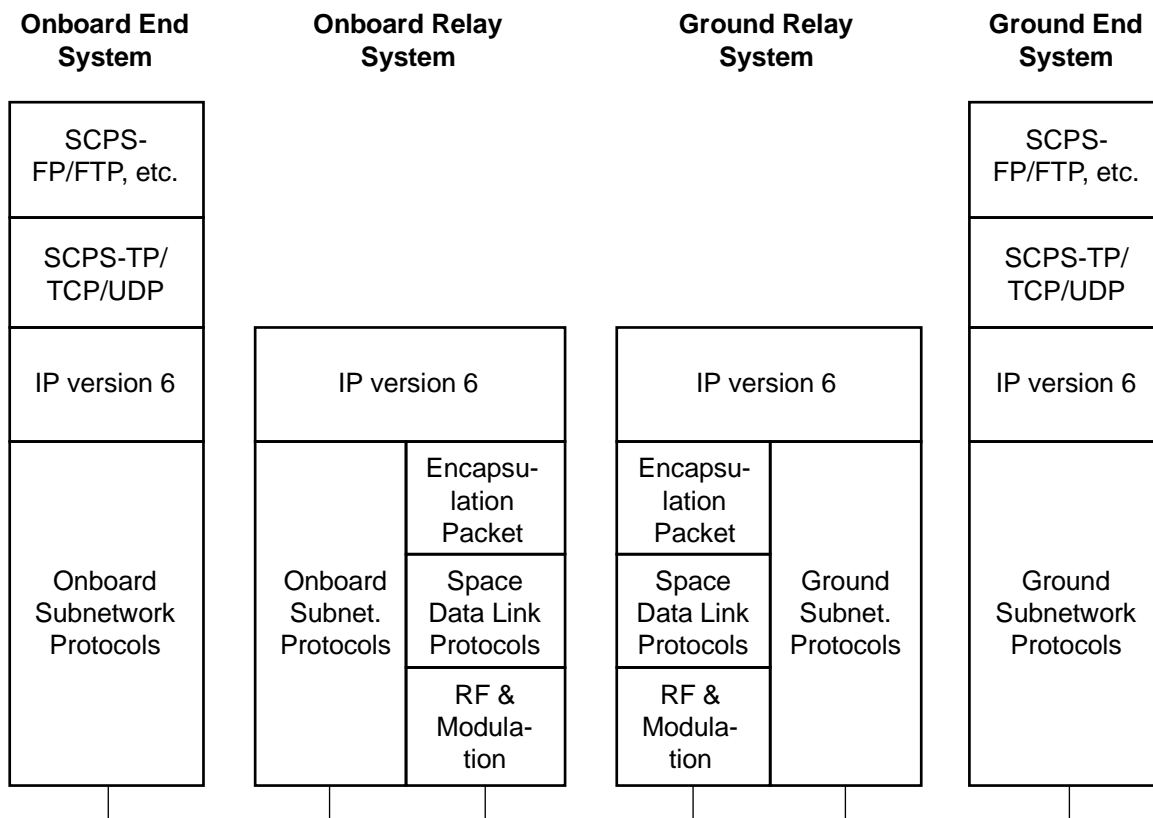


Figure 4-9: Protocol Configuration in a Space Data System When IP Version 6 Is Used for End-to-End Routing

4.6 CFDP FOR END-TO-END ROUTING

In the final example, CFDP is used for end-to-end routing. CFDP is a file transfer protocol, but it also has the capability to route files through a space data system. This configuration is suited to space missions in which most data are transferred as files.

Figure 4-10 shows an example of protocol configuration on a space link, and figure 4-11 shows an example of protocol configuration in an end-to-end space data system.

In this example, it is assumed that protocol data units of CFDP are carried by the Space Packet Protocol over the space link, but they can also be carried by SCPS-NP, IP Version 4, or IP Version 6. They can also be carried directly by the TC Space Data Link Protocol or Proximity-1 Space Link Protocol if a Virtual Channel, a MAP, or a Port is dedicated to CFDP.

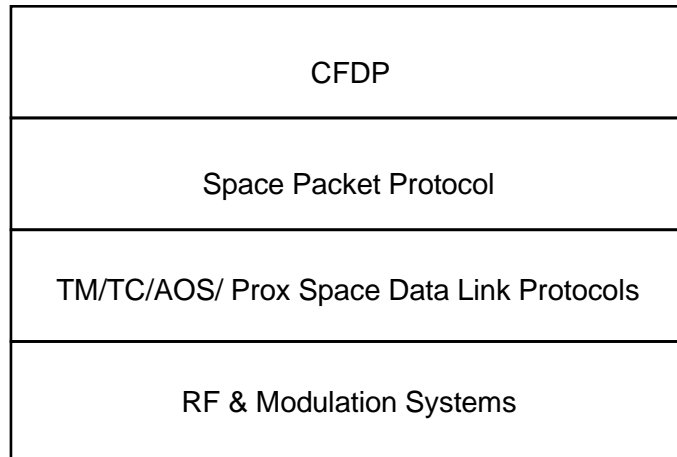


Figure 4-10: Protocol Configuration on a Space Link When CFDP Is Used for End-to-End Routing

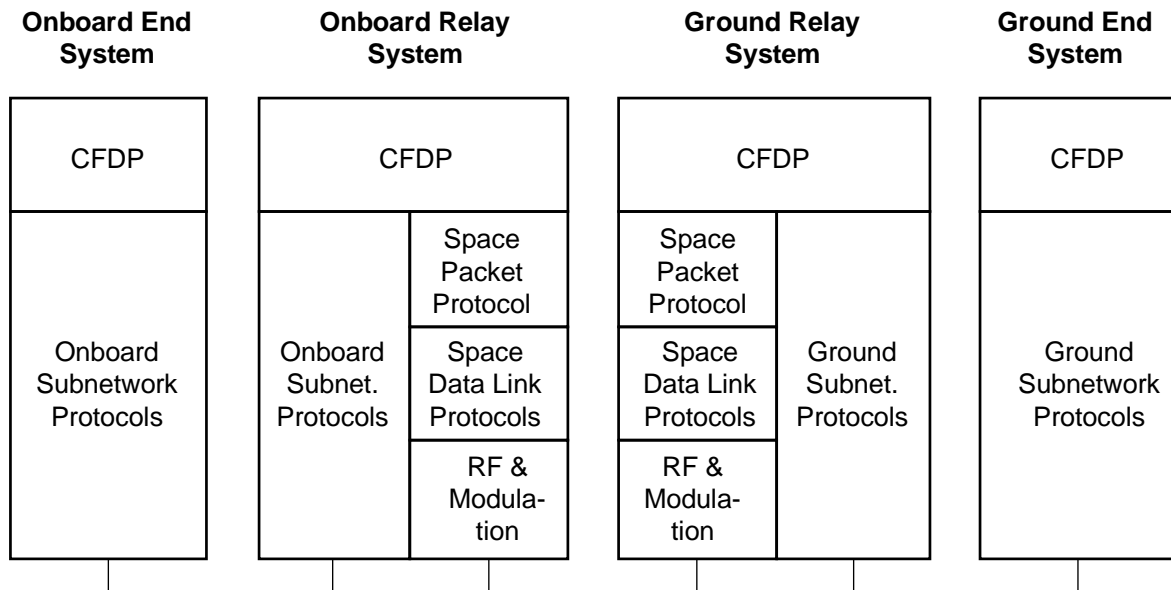


Figure 4-11: Protocol Configuration in a Space Data System When CFDP Is Used for End-to-End Routing

ANNEX A

ACRONYMS

This annex lists the acronyms and abbreviations used in this Report.

AOS	Advanced Orbiting Systems
APID	Application Process Identifier
CCSDS	Consultative Committee for Space Data Systems
CFDP	CCSDS File Delivery Protocol
FSH	Frame Secondary Header
FTP	File Transfer Protocol
ID	Identifier
IP	Internet Protocol
MAP	Multiplexer Access Point
MC	Master Channel
MCID	Master Channel Identifier
N/A	Not Applicable
OCF	Operational Control Field
PCID	Physical Channel Identifier
PVN	Packet Version Number
SCID	Spacecraft Identifier
SCPS	Space Communications Protocol Standards
SCPS-FP	Space Communications Protocol Standards File Protocol
SCPS-NP	Space Communications Protocol Standards Network Protocol
SCPS-SP	Space Communications Protocol Standards Security Protocol
SCPS-TP	Space Communications Protocol Standards Transport Protocol
SLE	Space Link Extension
TC	Telecommand
TCP	Transmission Control Protocol
TDM	Time Division Multiplexing
TFVN	Transfer Frame Version Number
TM	Telemetry
UDP	User Datagram Protocol
VC	Virtual Channel
VCID	Virtual Channel Identifier