

CCSDS Historical Document

This document's Historical status indicates that it is no longer current. It has either been replaced by a newer issue or withdrawn because it was deemed obsolete. Current CCSDS publications are maintained at the following location:

<http://public.ccsds.org/publications/>



Report Concerning Space Data System Standards

**SPACE DATA LINK
PROTOCOLS—
SUMMARY OF CONCEPT
AND RATIONALE**

INFORMATIONAL REPORT

CCSDS 130.2-G-1

GREEN BOOK
December 2007



Report Concerning Space Data System Standards

**SPACE DATA LINK
PROTOCOLS—
SUMMARY OF CONCEPT
AND RATIONALE**

INFORMATIONAL REPORT

CCSDS 130.2-G-1

GREEN BOOK

December 2007

AUTHORITY

Issue:	Informational Report, Issue 1
Date:	December 2007
Location:	Washington, DC, USA

This document has been approved for publication by the Management Council of the Consultative Committee for Space Data Systems (CCSDS) and reflects the consensus of technical panel experts from CCSDS Member Agencies. The procedure for review and authorization of CCSDS Reports is detailed in the *Procedures Manual for the Consultative Committee for Space Data Systems*.

This document is published and maintained by:

CCSDS Secretariat
Space Communications and Navigation Office, 7L70
Space Operations Mission Directorate
NASA Headquarters
Washington, DC 20546-0001, USA

FOREWORD

This document is a CCSDS Report, which contains background and explanatory material to support the CCSDS Recommended Standards on the TC, TM and AOS Space Data Link Protocols (references [1], [2], and [3], respectively), and the Communications Operation Procedure-1 (reference [4]) that accompanies the TC Space Data Link Protocol.

Through the process of normal evolution, it is expected that expansion, deletion, or modification of this document may occur. This Report is therefore subject to CCSDS document management and change control procedures, which are defined in the *Procedures Manual for the Consultative Committee for Space Data Systems*. Current versions of CCSDS documents are maintained at the CCSDS Web site:

<http://www.ccsds.org/>

Questions relating to the contents or status of this document should be addressed to the CCSDS Secretariat at the address indicated on page i.

At time of publication, the active Member and Observer Agencies of the CCSDS were:

Member Agencies

- Agenzia Spaziale Italiana (ASI)/Italy.
- British National Space Centre (BNSC)/United Kingdom.
- Canadian Space Agency (CSA)/Canada.
- Centre National d'Etudes Spatiales (CNES)/France.
- Deutsches Zentrum für Luft- und Raumfahrt e.V. (DLR)/Germany.
- European Space Agency (ESA)/Europe.
- Federal Space Agency (FSA)/Russian Federation.
- Instituto Nacional de Pesquisas Espaciais (INPE)/Brazil.
- Japan Aerospace Exploration Agency (JAXA)/Japan.
- National Aeronautics and Space Administration (NASA)/USA.

Observer Agencies

- Austrian Space Agency (ASA)/Austria.
- Belgian Federal Science Policy Office (BFSP0)/Belgium.
- Central Research Institute of Machine Building (TsNIIMash)/Russian Federation.
- Centro Tecnico Aeroespacial (CTA)/Brazil.
- Chinese Academy of Sciences (CAS)/China.
- Chinese Academy of Space Technology (CAST)/China.
- Commonwealth Scientific and Industrial Research Organization (CSIRO)/Australia.
- Danish National Space Center (DNSC)/Denmark.
- European Organization for the Exploitation of Meteorological Satellites (EUMETSAT)/Europe.
- European Telecommunications Satellite Organization (EUTELSAT)/Europe.
- Hellenic National Space Committee (HNSC)/Greece.
- Indian Space Research Organization (ISRO)/India.
- Institute of Space Research (IKI)/Russian Federation.
- KFKI Research Institute for Particle & Nuclear Physics (KFKI)/Hungary.
- Korea Aerospace Research Institute (KARI)/Korea.
- MIKOMTEK: CSIR (CSIR)/Republic of South Africa.
- Ministry of Communications (MOC)/Israel.
- National Institute of Information and Communications Technology (NICT)/Japan.
- National Oceanic and Atmospheric Administration (NOAA)/USA.
- National Space Organization (NSPO)/Taiwan.
- Naval Center for Space Technology (NCST)/USA.
- Space and Upper Atmosphere Research Commission (SUPARCO)/Pakistan.
- Swedish Space Corporation (SSC)/Sweden.
- United States Geological Survey (USGS)/USA.

DOCUMENT CONTROL

Document	Title	Date	Status
CCSDS 130.2-G-1	Space Data Link Protocols— Summary of Concept and Rationale, Informational Report, Issue 1	December 2007	Current issue

CONTENTS

<u>Section</u>	<u>Page</u>
1 INTRODUCTION.....	1-1
1.1 PURPOSE.....	1-1
1.2 SCOPE.....	1-1
1.3 ORGANIZATION OF THIS REPORT.....	1-1
1.4 DEFINITIONS.....	1-2
1.5 REFERENCES	1-2
2 WHAT ARE THE SPACE DATA LINK PROTOCOLS? - ARCHITECTURAL INTRODUCTION.....	2-1
2.1 DESIGN GOALS	2-1
2.2 BASIC CONCEPTS	2-1
2.3 LAYER ARCHITECTURE.....	2-3
3 WHAT DO THE SPACE DATA LINK PROTOCOLS PROVIDE? - FROM USERS' PERSPECTIVE	3-1
3.1 SERVICES.....	3-1
3.2 SERVICE FEATURES.....	3-2
3.3 SERVICES PROVIDED BY THE SPACE DATA LINK PROTOCOLS.....	3-6
3.4 TYPICAL EXAMPLE.....	3-11
4 WHAT DO THE SPACE DATA LINK PROTOCOLS PERFORM? - FROM DEVELOPERS' PERSPECTIVE	4-1
4.1 TRANSFER FRAMES	4-1
4.2 VIRTUAL CHANNELS.....	4-1
4.3 ADDRESSING AND MULTIPLEXING.....	4-3
4.4 RETRANSMISSION.....	4-5
4.5 TRANSFER OF PACKETS	4-7
5 FREQUENTLY ASKED QUESTIONS ON THE SPACE DATA LINK PROTOCOLS	5-1
5.1 HOW DO THE SPACE DATA LINK PROTOCOLS DIFFER FROM HDLC? ..	5-1
5.2 ARE THE SPACE DATA LINK PROTOCOLS SECURE PROTOCOLS?	5-1
5.3 IS THERE A STANDARD METHOD FOR MANAGING PARAMETERS SUCH AS (TM AND AOS) TRANSFER FRAME LENGTHS?.....	5-1
5.4 CAN COP-1 BE APPLIED TO DEEP SPACE COMMANDING?	5-1
5.5 CAN COP-1 BE APPLIED TO BLIND COMMANDING?.....	5-2

CONTENTS (continued)

<u>Section</u>	<u>Page</u>
ANNEX A ACRONYMS	A-1
ANNEX B SUMMARY OF SERVICES	B-1

Figure

2-1 Space Link	2-2
2-2 Frequently Used Combinations of Space Data Link Protocols	2-3
2-3 Layer Architecture	2-4
3-1 A Service Provided by a Space Data Link Protocol	3-1
3-2 Asynchronous Service Model.....	3-5
3-3 Synchronous Service Model	3-5
3-4 Example of How TM-SDLP Provides Services	3-12
4-1 Virtual Channels	4-2
4-2 An Example of How to Use Virtual Channels.....	4-2
4-3 Hierarchy of the Identifiers and Channels Used by the Space Data Link Protocols	4-3
B-1 Graphical Conventions	B-2
B-2 TC Data Link Services.....	B-3
B-3 Service Provided by TM-SDLP.....	B-4
B-4 AOS Data Link Services.....	B-5

Table

3-1 Services Provided by the Space Data Link Protocols.....	3-7
---	-----

1 INTRODUCTION

1.1 PURPOSE

This Report has been developed to present the concept and rationale of the CCSDS Recommended Standards on the TC, TM, and AOS Space Data Link Protocols (references [1], [2], and [3], respectively), and the Communications Operation Procedure-1 (reference [4]) that accompanies the TC Space Data Link Protocol.

It has specifically been prepared to serve the following purposes:

- a) to provide an architectural overview of the Space Data Link Protocols;
- b) to provide information on how the Space Data Link Protocols should be used by users to transfer various kinds of data over space links;
- c) to provide information on how the Space Data Link Protocols should be deployed in space data systems to process and transfer data supplied by users.

1.2 SCOPE

The information contained in this Report is not part of the CCSDS Recommended Standards on the Space Data Link Protocols (references [1]-[3]) or the Communications Operation Procedure-1 (reference [4]). In the event of any conflict between the Recommended Standards and the material presented herein, the Recommended Standards shall prevail.

1.3 ORGANIZATION OF THIS REPORT

This document is divided into five numbered sections and two annexes:

- a) section 1 presents the purpose, scope, and organization of this Report, and lists the definitions and references used throughout the Report;
- b) section 2 explains what the Space Data Link Protocols are and how they are used in the protocol stack used over space links;
- c) section 3 explains the services provided by the Space Data Link Protocols and their features;
- d) section 4 shows how the Space Data Link Protocols should be implemented in onboard and ground data systems;
- e) section 5 presents frequently asked questions and their answers;
- f) annex A lists acronyms and abbreviations used within this document;
- g) annex B contains a quick summary of the services provided by the Space Data Link Protocols.

1.4 DEFINITIONS

The following definitions are used throughout this Report. Many other terms that pertain to specific items are defined in the appropriate sections.

aperiodic: not periodic (see below).

asynchronous: not synchronous (see below).

Mission Phase: a period of a mission during which specified communications characteristics are fixed. The transition between two consecutive Mission Phases may cause an interruption of the communications services.

periodic: of or pertaining to a sequence of events in which each event occurs at a fixed time interval (within specified tolerance) after the previous event in the sequence.

Physical Channel: a stream of bits transferred over a space link in a single direction.

space link: a communications link between a spacecraft and its associated ground system or between two spacecraft. A space link consists of one or more Physical Channels in one or both directions.

synchronous: of or pertaining to a sequence of events occurring in a fixed time relationship (within specified tolerance) to another sequence of events. Note that 'synchronous' does not necessarily imply 'periodic' or 'constant rate'.

Space Data Link Protocols: Data Link Layer protocols specified in references [1]-[3], which have been developed to transfer space application data over space-to-ground, ground-to-space, or space-to-space communications links.

Transfer Frames: Protocol Data Units of the Space Data Link Protocols.

1.5 REFERENCES

The following documents are referenced in this Report. At the time of publication, the editions indicated were valid. All documents are subject to revision, and users of this Report are encouraged to investigate the possibility of applying the most recent editions of the documents indicated below. The CCSDS Secretariat maintains a register of currently valid CCSDS documents.

[1] *TC Space Data Link Protocol*. Recommendation for Space Data System Standards, CCSDS 232.0-B-1. Blue Book. Issue 1. Washington, D.C.: CCSDS, September 2003.

[2] *TM Space Data Link Protocol*. Recommendation for Space Data System Standards, CCSDS 132.0-B-1. Blue Book. Issue 1. Washington, D.C.: CCSDS, September 2003.

CCSDS HISTORICAL DOCUMENT
CCSDS REPORT CONCERNING THE SPACE DATA LINK PROTOCOLS

- [3] *AOS Space Data Link Protocol*. Recommendation for Space Data System Standards, CCSDS 732.0-B-2. Blue Book. Issue 2. Washington, D.C.: CCSDS, July 2006.
- [4] *Communications Operation Procedure-1*. Recommendation for Space Data System Standards, CCSDS 232.1-B-1. Blue Book. Issue 1. Washington, D.C.: CCSDS, September 2003.
- [5] *Procedures Manual for the Consultative Committee for Space Data Systems*. CCSDS A00.0-Y-9. Yellow Book. Issue 9. Washington, D.C.: CCSDS, November 2003.
- [6] *Information Technology—Open Systems Interconnection—Basic Reference Model: The Basic Model*. International Standard, ISO/IEC 7498-1:1994. 2nd ed. Geneva: ISO, 1994.
- [7] *Proximity-1 Space Link Protocol—Data Link Layer*. Recommendation for Space Data System Standards, CCSDS 211.0-B-4. Blue Book. Issue 4. Washington, D.C.: CCSDS, July 2006.
- [8] *Proximity-1 Space Link Protocol—Rationale, Architecture, and Scenarios*. Report Concerning Space Data System Standards, CCSDS 210.0-G-1. Green Book. Issue 1. Washington, D.C.: CCSDS, August 2007.
- [9] *TC Synchronization and Channel Coding*. Recommendation for Space Data System Standards, CCSDS 231.0-B-1. Blue Book. Issue 1. Washington, D.C.: CCSDS, September 2003.
- [10] *TM Synchronization and Channel Coding*. Recommendation for Space Data System Standards, CCSDS 131.0-B-1. Blue Book. Issue 1. Washington, D.C.: CCSDS, September 2003.
- [11] *Radio Frequency and Modulation Systems—Part 1: Earth Stations and Spacecraft*. Recommendation for Space Data System Standards, CCSDS 401.0-B-17. Blue Book. Issue 17. Washington, D.C.: CCSDS, July 2006.
- [12] *Overview of Space Communications Protocols*. Report Concerning Space Data System Standards, CCSDS 130.0-G-2. Green Book. Issue 2. Washington, D.C.: CCSDS, December 2007.
- [13] *Space Packet Protocol*. Recommendation for Space Data System Standards, CCSDS 133.0-B-1. Blue Book. Issue 1. Washington, D.C.: CCSDS, September 2003.
- [14] *Space Communications Protocol Specification (SCPS)—Network Protocol (SCPS-NP)*. Recommendation for Space Data System Standards, CCSDS 713.0-B-1. Blue Book. Issue 1. Washington, D.C.: CCSDS, May 1999.
- [15] J. Postel. *Internet Protocol*. STD 5. Reston, Virginia: ISOC, September 1981.

CCSDS HISTORICAL DOCUMENT
CCSDS REPORT CONCERNING THE SPACE DATA LINK PROTOCOLS

- [16] *Space Link Identifiers*. Recommendation for Space Data System Standards, CCSDS 135.0-B-3. Blue Book. Issue 3. Washington, D.C.: CCSDS, October 2006.
- [17] *Encapsulation Service*. Recommendation for Space Data System Standards, CCSDS 133.1-B-1. Blue Book. Issue 1. Washington, D.C.: CCSDS, June 2006.
- [18] *CCSDS Global Spacecraft Identification Field Code Assignment Control Procedures*. Recommendation for Space Data System Standards, CCSDS 320.0-B-5. Blue Book. Issue 5. Washington, D.C.: CCSDS, September 2007.
- [19] *The Application of CCSDS Protocols to Secure Systems*. Report Concerning Space Data System Standards, CCSDS 350.0-G-2. Green Book. Issue 2. Washington, D.C.: CCSDS, January 2006.
- [20] *Space Link Extension—Forward Space Packet Service Specification*. Recommendation for Space Data System Standards, CCSDS 912.3-B-1. Blue Book. Issue 1. Washington, D.C.: CCSDS, December 2004.
- [21] *TC Synchronization and Channel Coding—Summary of Concept and Rationale*. Report Concerning Space Data System Standards, CCSDS 230.1-G-1. Green Book. Issue 1. Washington, D.C.: CCSDS, June 2006.

2 WHAT ARE THE SPACE DATA LINK PROTOCOLS? - ARCHITECTURAL INTRODUCTION

2.1 DESIGN GOALS

The Space Data Link Protocols are protocols of the Data Link Layer of the OSI Basic Reference Model (reference [6]). They were designed by CCSDS to meet the requirements of space missions for efficient transfer of space application data of various types and characteristics on space links.

Most of the present-day spacecraft use micro-processors for processing data (e.g., for compressing data, checking the status of subsystems, executing timelines, etc.). As a result, they need to send and receive various types of data (e.g., compressed images, housekeeping telemetry, event reports, commands, timelines, etc.) that have different Quality of Service (QoS) requirements in terms of data volume, data rate, latency, reliability, and so on. However, since the processing capability available onboard spacecraft is limited due to the physical constraints imposed by the fact that the spacecraft are flying, the protocols must be simple enough to be implemented by small hardware and/or processors. The Space Data Link Protocols have the capability of transferring various kinds of data with different QoS requirements using relatively simple algorithms. Further, care was taken to ensure that these protocols are upper-compatible with the basic data formats used by earlier spacecraft.

CCSDS has developed four Space Data Link Protocols: the TC Space Data Link Protocol (TC-SDLP, reference [1]), the TM Space Data Link Protocol (TM-SDLP, reference [2]), the AOS Space Data Link Protocol (AOS-SDLP, reference [3]), and the Data Link Layer of the Proximity-1 Space Link Protocol (reference [7]). Since there is a separate CCSDS Report that explains the concept and rationale of the Proximity-1 Space Link Protocol (reference [8]), this Report deals only with TC-SDLP, TM-SDLP, and AOS-SDLP.

2.2 BASIC CONCEPTS

A space link is defined to be a communications link between a spacecraft (which may be a lander or a rover on a distant planet) and its associated ground system or between two spacecraft. Therefore, at least one end of a space link is a spacecraft of some kind.

A space link consists of one or more Physical Channels in one or both directions. A Physical Channel is defined to be a stream of bits transferred over a space link in a single direction. A space link usually consists of one forward Physical Link for sending commands from the ground system to the spacecraft (or from the controlling spacecraft to the target spacecraft), and one or multiple return Physical Links (possibly using multiple frequency bands) for sending telemetry from the spacecraft to the ground system (or from the target spacecraft to the controlling spacecraft) (see figure 2-1).

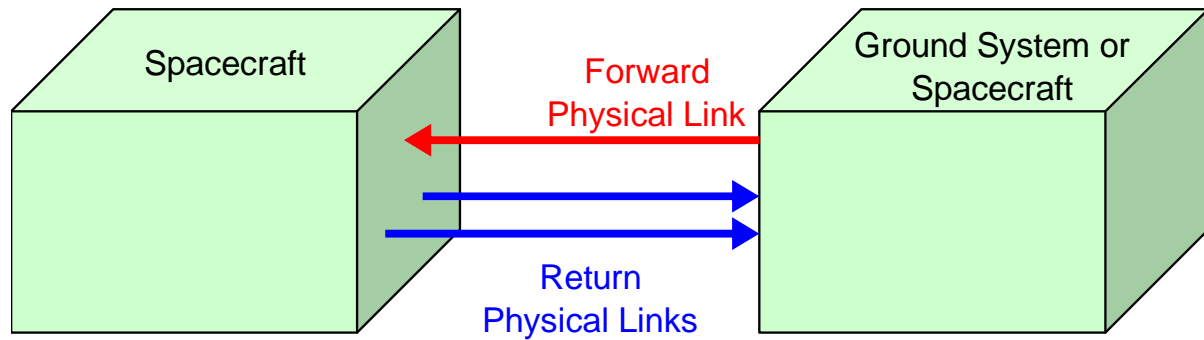


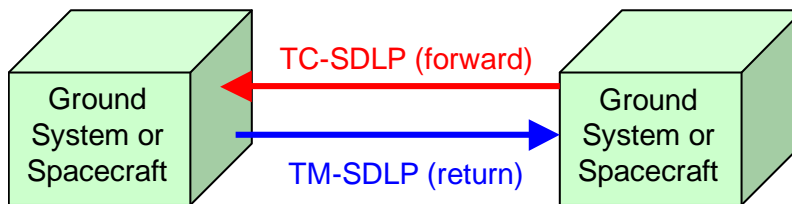
Figure 2-1: Space Link

Each Space Data Link Protocol provides one-way transfer from the sending end to the receiving end of a Physical Channel, but the TC-SDLP usually uses a service provided by the TM-SDLP or AOS-SDLP on a different Physical Channel in the other direction of the same space link (see 4.4) to provide feedback from the receiving end to the sending end. However, it is possible to use the same Space Data Link Protocol for both directions on a single space link. In such cases, one instance of the Space Data Link Protocol is used on a Physical Channel in one direction and another instance on another Physical Channel in the other direction.

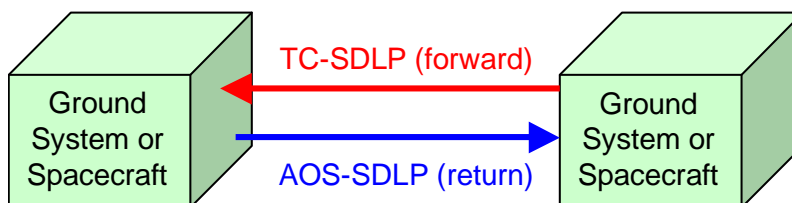
On a given Physical Channel, only one Space Data Link Protocol must be used (i.e., multiple Space Data Link Protocols must not be mixed on a single Physical Channel).

The TC-SDLP is usually used for (but not limited to) sending commands from a ground system to a spacecraft (or from a spacecraft to another spacecraft) on a forward Physical Link. The TM-SDLP is usually used for (but not limited to) sending telemetry from a spacecraft to a ground system (or from a spacecraft to another spacecraft) on a return Physical Link. The AOS-SDLP is also used for sending telemetry from a spacecraft to a ground system (or from a spacecraft to another spacecraft) on a return Physical Link, but it may be used on a forward Physical Link as well if there is a need for two-way on-line communications (e.g., audio and video) between a spacecraft and a ground system (or between two spacecraft).

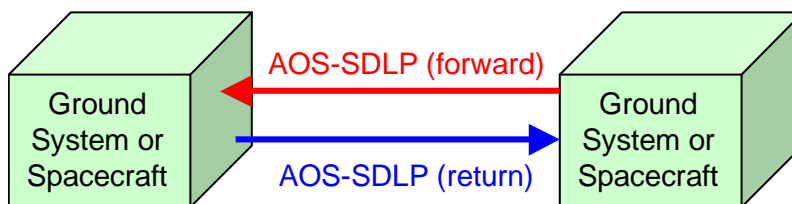
If we suppose that a space link consists of one forward Physical Link and one return Physical Link, there are three combinations of Space Data Link Protocols that are frequently used by space missions (see figure 2-2). Combination (a) of figure 2-2 has been used by most missions, while combination (b) is used by missions that require extended features provided by AOS-SDLP for the return Physical Link. Combination (c) is used by missions such as piloted missions that need two-way on-line communications between the spacecraft and the ground system.



(a) TC-SDLP and TM-SDLP



(b) TC-SDLP and AOS-SDLP



(c) AOS-SDLP for both directions

Figure 2-2: Frequently Used Combinations of Space Data Link Protocols

2.3 LAYER ARCHITECTURE

Figure 2-3 shows how the Space Data Link Protocols are used with other protocols of other layers and how they are related with the OSI Basic Reference Model (reference [6]).

CCSDS defines two Sublayers in the Data Link Layer of the OSI Model: the Data Link Protocol Sublayer and the Synchronization and Channel Coding Sublayer. The Space Data Link Protocols belong to the Data Link Protocol Sublayer, which specifies methods of transferring data supplied by the higher layer over a space link using data units known as Transfer Frames. The Synchronization and Channel Coding Sublayer specifies methods for reliably transferring Transfer Frames over noisy space links, which include methods of delimiting and synchronization of Transfer Frames and methods of error correction and/or detection.

CCSDS has developed two standards for the Synchronization and Channel Coding Sublayer:¹ the TC Synchronization and Channel Coding Recommended Standard (reference [9]), and the TM Synchronization and Channel Coding Recommended Standard (reference [10]). When the TC Space Data Link Protocol is used, the TC Synchronization and Channel Coding Recommended Standard must be used for the Synchronization and Channel Coding Sublayer. Likewise, when the TM or AOS Space Data Link Protocol is used, the TM Synchronization and Channel Coding Recommended Standard must be used for the Synchronization and Channel Coding Sublayer.

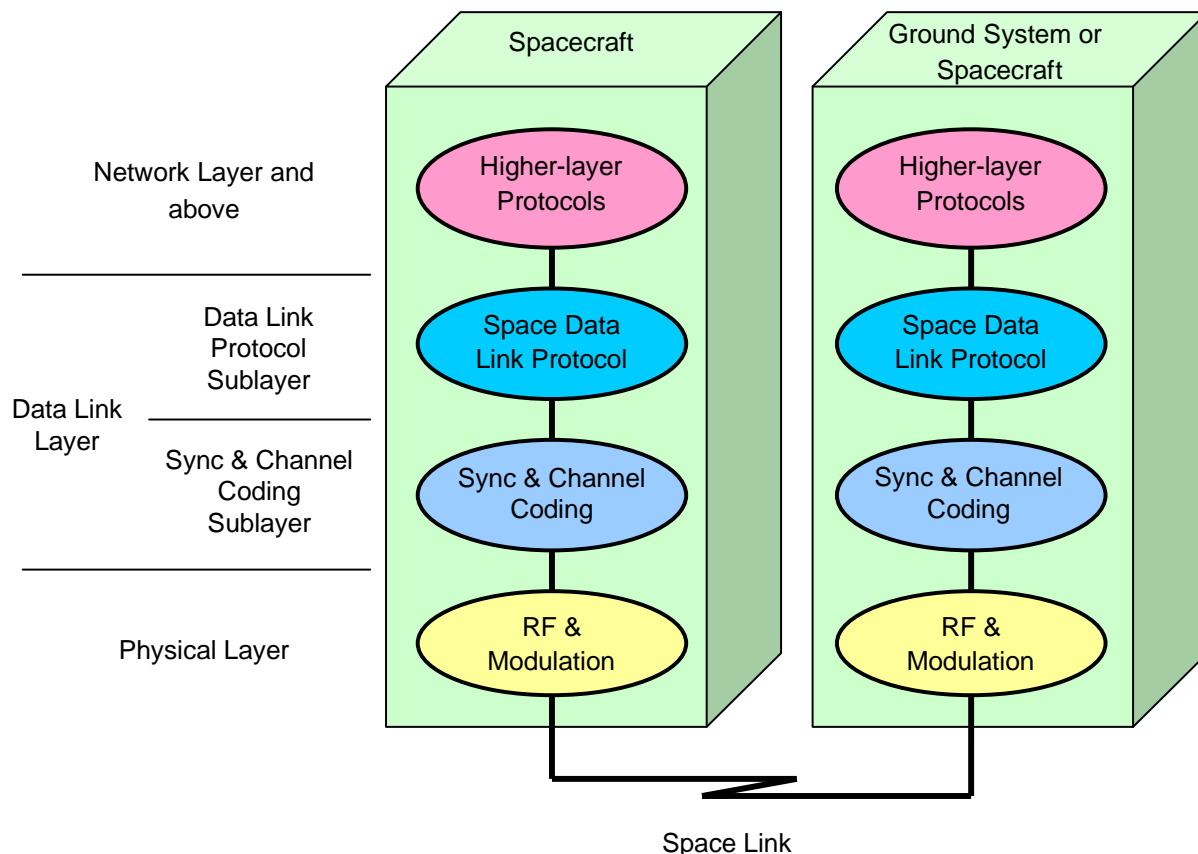


Figure 2-3: Layer Architecture

Below the Synchronization and Channel Coding Recommended Standards, Physical Layer protocols (for example, the CCSDS RF and Modulation Systems defined in reference [11]) are used to transmit delimited and coded Transfer Frames over space links.

¹ A third CCSDS-developed standard for the Synchronization and Channel Coding Sublayer of the Proximity-1 Space Link Protocol is outside the scope of this Report (cf. 2.1).

CCSDS HISTORICAL DOCUMENT
CCSDS REPORT CONCERNING THE SPACE DATA LINK PROTOCOLS

Above the Space Data Link Protocols, higher-layer protocols belonging to the Network Layer and above use the services provided by the Space Data Link Protocols. Most of these higher-layer protocols are end-to-end protocols and are responsible for transferring data from end to end across the entire network, which contains the space link.

How the Space Data Link Protocols should be used in the entire space data system is explained in reference [12].

3 WHAT DO THE SPACE DATA LINK PROTOCOLS PROVIDE? - *FROM USERS' PERSPECTIVE*

3.1 SERVICES

The Space Data Link Protocols provide protocols of the Network and higher layers with services to transfer data over a space link. The entities (i.e., the elements that implement communications protocols) of the Space Data Link Protocols are called service providers and the entities that use services are called service users.

A service provided by a service provider (an entity of a Space Data Link Protocol) transfers data supplied by a service user (sending user) to another service user (receiving user) over a space link (see figure 3-1). In doing this, the Space Data Link Protocol uses the capabilities of the Synchronization and Channel Coding Sublayer and the Physical Layer as explained in 2.3. However, the physical characteristics of the space link are invisible to the service users.

The point at which a service is provided by a service provider for a service user is called a Service Access Point (SAP). Each SAP has a SAP address, and the service user that uses the service through the SAP is also identified by the SAP address. In figure 3-1, there are two SAPs: one for the sending user and the other for the receiving user. In this case, these two SAPs share the same SAP address because these SAPs provide the same service to the sending and receiving users.

The sending user of a service passes Service Data Units (SDUs) and Service Control Information (SCI) to the service provider. The SDUs are the data that are delivered to the receiving user. The service control information is used to specify how the SDUs should be handled by the service provider.

In the case of TC-SDLP, the sending user may receive from the service provider information on the status of the delivery of SDUs to the receiving user.

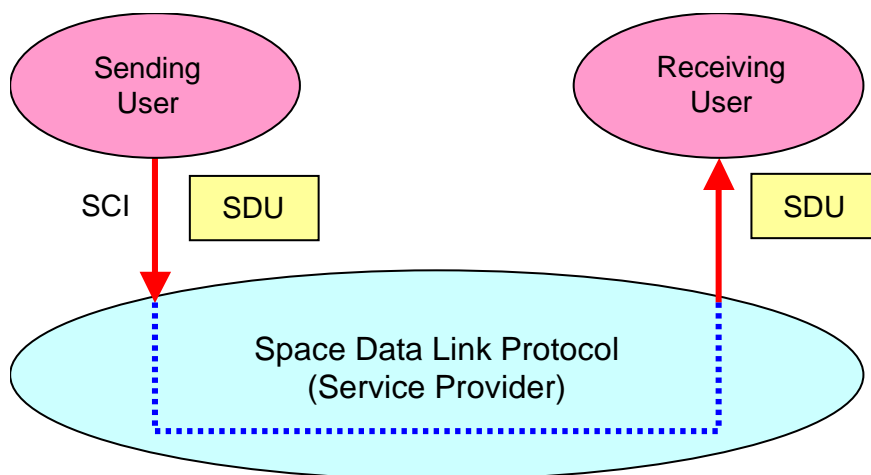


Figure 3-1: A Service Provided by a Space Data Link Protocol

The interactions between a service user and a service provider are defined in the form of ‘primitives’. Primitives present an abstract model of the logical exchange of SDUs and control information between the service provider and the service user, but they do not specify how the interactions should be implemented.

3.2 SERVICE FEATURES

3.2.1 DIRECTIONALITY

All the services provided by the Space Data Link Protocols are unidirectional. The sending user of a service can send data to the receiving user using a service provider (i.e., an entity of a Space Data Link Protocol), but it cannot receive data from the receiving user using the same service provider (see figure 3-1). If the sending user also requires to receive data from some user, it must use a service of a different service provider (of the same or a different Space Data Link Protocol) that provides services in the other direction.

3.2.2 RELIABILITY

3.2.2.1 General

The reliability guaranteed by the services depends on the protocol used and, in some cases, the service type selected by the user.

3.2.2.2 Reliability Provided by TC-SDLP

3.2.2.2.1 General

Most of the services provided by the TC Space Data Link Protocol (TC-SDLP) have two service types: the Sequence-Controlled Service (or the Type-A Service) and the Expedited Service (or the Type-B Service). The service types determine how reliably the SDUs supplied by the sending user are delivered to the receiving user.

Sending users of a service that has two service types specify for each SDU whether Type-A or Type-B should be applied. Both service types are provided by the Communications Operation Procedure-1 (COP-1) specified in reference [4].

3.2.2.2.2 Sequence-Controlled (Type-A) Service

The Type-A Service utilizes an Automatic Repeat Request (ARQ) procedure of the ‘go-back-*n*’ type. It is implemented by sequence-control mechanisms, which include retransmissions of lost data, at both sending and receiving ends of the space link. It also uses a standard report returned from the receiving end to the sending end using a service of the protocol used in the other direction on the space link.

The service provider guarantees, with a high probability of success, complete, in-sequence delivery of Type-A SDUs supplied by a sending user at a single SAP (i.e., no SDU is lost, duplicated, or delivered out of sequence). However, there is no guarantee that Type-A SDUs supplied at multiple SAPs by multiple sending users will be delivered to the receiving users in the order initially supplied.

3.2.2.2.3 Expedited (Type-B) Service

The Type-B Service is normally used either in exceptional operational circumstances, typically during spacecraft recovery operations, or when a higher layer protocol provides a retransmission capability.

For the Type-B Service, SDUs supplied by the sending user are transmitted only once (i.e., no retransmission is performed). The service provider does not guarantee that all Type-B SDUs are delivered to the receiving user. However, the sequence of Type-B SDUs supplied by the sending user at a SAP is preserved through the transfer over the space link, although there may be gaps in the sequence of SDUs delivered to the receiving user.

If SDUs of both service types are supplied at a SAP, the sequence of Type-A SDUs and the sequence of Type-B SDUs are both preserved through the transfer over the space link, but the entire sequence of both SDUs may not be preserved.

3.2.2.3 Reliability Provided by TM-SDLP and AOS-SDLP

Neither the TM Space Data Link Protocol (TM-SDLP) nor the AOS Space Data Link Protocol (AOS-SDLP) guarantees completeness of the SDUs delivered to the receiving users, but some services may signal gaps in the sequence of delivered SDUs. These protocols do not provide the sending users with a confirmation that data has been received by the receiving users.

The sequence of SDUs supplied by the sending user at a SAP is preserved through the transfer over the space link, although there may be gaps in the sequence of SDUs delivered to the receiving user. The order of SDUs submitted to different SAPs is not maintained.

3.2.3 PRIORITY AND LATENCY

The mechanism used by the Space Data Link Protocols for transferring data with different priority and latency requirements is the use of 'Virtual Channels'. The Virtual Channel facility allows one Physical Channel to be divided into multiple separate logical data channels, each known as a Virtual Channel (VC). Each Virtual Channel carries a separate sequence of SDUs, which may have different priority and latency requirements from those carried on the other Virtual Channels.

By using an appropriate algorithm for multiplexing Virtual Channels onto the Physical Channel, the priority and latency requirements of SDUs can be met to some extent (see 4.2). CCSDS does not recommend any standard algorithm for multiplexing Virtual Channels. It is

the responsibility of the project to ensure that the multiplexing algorithm used for that project actually satisfies the requirements.

The TC-SDLP optionally uses MAP (Multiplexer Access Point) Channels to multiplex different sequences of SDUs, each of which may have different priority and latency requirements, onto one Virtual Channel.

If the SLE Forward Space Packet Protocol Service (reference [20]) is used on the ground to forward Space Packets (reference [13]) to be transmitted to a spacecraft using the TC-SDLP, the algorithm specified in reference [20] must be used for multiplexing Virtual Channels and MAP Channels. Otherwise, CCSDS does not recommend any standard algorithm for multiplexing MAP or Virtual Channels, and it is the responsibility of the project to ensure that the multiplexing algorithm used for that project actually satisfies the requirements.

3.2.4 TRANSFER TIMING

3.2.4.1 General

The timing at which SDUs supplied by the sending users are transferred over the space link and delivered to the receiving users differs depending on the protocol and the service.

3.2.4.2 Transfer Timing of TC-SDLP

The TC Space Data Link Protocol does not specify any rules for the timing of the transfer of SDUs supplied by the sending user. The user may submit SDUs at any time, but the timing of actual data transfer is determined by the service provider in accordance with mission-specific rules (such as multiplexing algorithms or scheduled release times) and may depend on the data traffic at the time of transfer.

3.2.4.3 Transfer Timing of TM-SDLP and AOS-SDLP

3.2.4.3.1 General

The TM and AOS Space Data Link Protocols have three service types (asynchronous, synchronous, and periodic) that determine the timing at which SDUs supplied by the sending user are transferred over the space link.

3.2.4.3.2 Asynchronous Service

In asynchronous service, there are no timing relationships between the submission of SDUs by the service user and their transfer by the service provider over the space link. The sending user may request data transfer at any time, but the timing of actual data transfer is determined by the service provider in accordance with mission-specific rules (such as multiplexing algorithms) and may depend on the data traffic at the time of transfer.

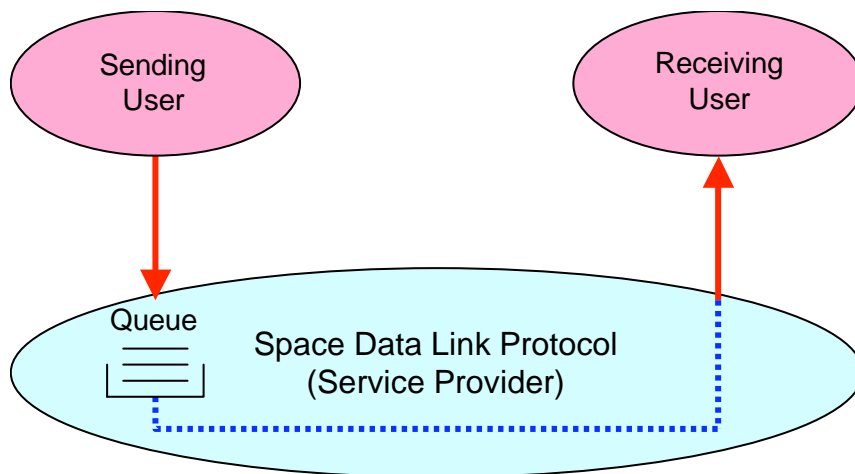


Figure 3-2: Asynchronous Service Model

In this service type (figure 3-2), each SDU from a sending user is placed in a queue, the contents of which are sent to a receiving user in the order in which they were presented. Although transmission errors may prevent delivery of some SDUs, the service provider attempts to transfer all SDUs provided by the sending user exactly once. The key feature of this service type is that all of the SDUs from the sending user are transferred, and transferred only once.

3.2.4.3.3 Synchronous Service

In synchronous service, the transfer of SDUs is synchronized with the release by the service provider of Transfer Frames associated with the service. The transfer timing may be periodic or aperiodic.

In this service (figure 3-3), each SDU from a sending user is placed in a buffer that can hold only one SDU; the content of the buffer is sent to a receiving user at the time when a

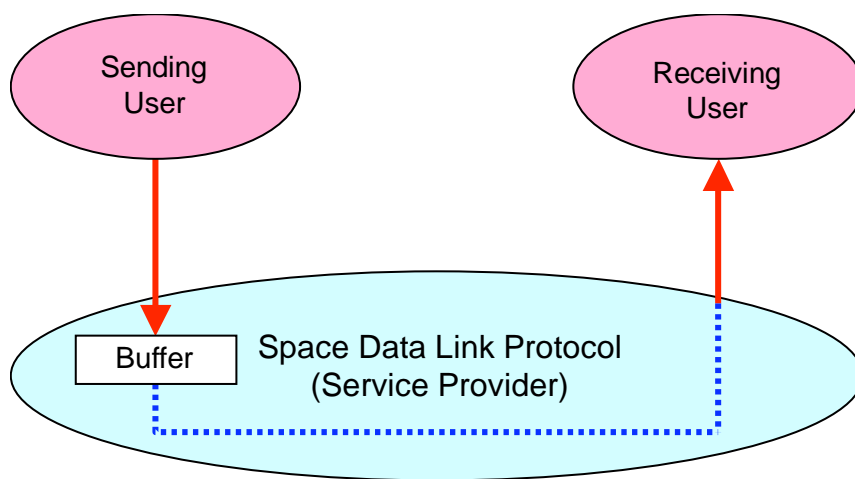


Figure 3-3: Synchronous Service Model

Transfer Frame associated with the service is transmitted. The transmission timing of Transfer Frames is determined by the service provider according to mission-specific rules (which are usually known to the user). The key feature of this service type, which is essentially time-division multiplexing, is that the timing of data transfer is driven by the transfer mechanism, not by individual service requests from the user. Thus a particular SDU from a sending user might be sent once, several times (if the 'new' value is not placed in the buffer soon enough), or not at all (if one value is replaced by a second before the service provider can send it).

3.2.4.3.4 Periodic Service

Periodic service is a special case of synchronous service in which SDUs are transferred at a constant rate. Periodic transfer from service interface to service interface is provided with a specified maximum delay and a specified maximum jitter at the service interface. A synchronous service is periodic if the channel associated with the service (which is either a Virtual Channel or a Master Channel) transfers SDUs at a constant rate. (Virtual Channels and Master Channels are logical data channels established over a space link and will be explained in 4.2 and 4.3, respectively).

For periodic services, all SDUs are sent only once if the sending user supplies SDUs at the same rate as the rate at which the service provider transfers them.

3.2.5 CHANNELS

For each instance of a service, SDUs are transferred over a channel (either a Physical Channel, a Master Channel, a Virtual Channel, or a MAP Channel (TC-SDLP only)). In addition to the Virtual Channels and MAP Channels explained in 3.2.3, the Space Data Link Protocols use Physical Channels and Master Channels. Physical Channels are explained in 2.2. A Master Channel is a set of Virtual Channels associated with one spacecraft. In most cases, a Physical Channel has only one Master Channel, but it may consist of multiple Master Channels. For explanation on how these channels are identified and multiplexed, see 4.3.

3.3 SERVICES PROVIDED BY THE SPACE DATA LINK PROTOCOLS

3.3.1 GENERAL

Table 3-1 shows the services provided by the Space Data Link Protocols categorized by the types of SDUs transferred by the services. A schematic summary of these services is found in annex B.

Table 3-1: Services Provided by the Space Data Link Protocols

Type of Service Data Units	TC Space Data Link Protocol	TM Space Data Link Protocol	AOS Space Data Link Protocol
Packets with authorized PVN	MAP Packet Service, VC Packet Service	Packet Service	Packet Service
Fixed-length private data	(None)	VC Access Service	VC Access Service
Variable-length private data	MAP Access Service, VC Access Service	(None)	(None)
Short fixed-length data	(None)	VC FSH Service, MC FSH Service, VC OCF Service, MC OCF Service	Insert Service, VC OCF Service
Bit stream	(None)	(None)	Bitstream Service
Transfer Frames	VC Frame Service, MC Frame Service	VC Frame Service, MC Frame Service	VC Frame Service, MC Frame Service
The Encapsulation Service can be used for Packets which do not have authorized PVNs, as described in 3.3.3.			

3.3.2 SERVICES TO TRANSFER PACKETS

3.3.2.1 General

The Space Data Link Protocols provide services for transferring various types of SDUs on space links, but the most important services are those for transferring variable-length data units commonly known as Packets, that is, Protocol Data Units of protocols of the Network Layer, such as the Space Packet Protocol (reference [13]), SCPS-NP (reference [14]), and IP (reference [15]).

Each packet format transferred by the Space Data Link Protocols must have a Packet Version Number (PVN) authorized by CCSDS. A list of the PVNs presently authorized by CCSDS is contained in reference [16]. A user of this service is a protocol entity that sends or receives Packets with a single PVN.

3.3.2.2 Services to Transfer Packets Provided by TC-SDLP

The TC-SDLP has two services for transferring packets: the MAP (Multiplexer Access Point) Packet Service (or the MAPP Service) and the Virtual Channel Packet Service (or the VCP Service). These services transfer a sequence of Packets over a space link on a MAP Channel (in the case of the MAPP Service) or a Virtual Channel (in the case of VCP Service).

Both Sequence-Controlled (Type-A) and Expedited (Type-B) service types (see 3.2.2.2) are provided for these services. The sending user specifies for each Packet whether Type-A or Type-B should be applied.

Different users (i.e., Packets with different PVNs) can share a single MAP Channel (in the case of the MAPP Service) or a single Virtual Channel (in the case of the VCP Service), and if there are multiple users on a MAP or VC Channel, the service provider multiplexes Packets with different PVNs to form a single stream of Packets to be transferred on that channel.

3.3.2.3 Service to Transfer Packets Provided by TM-SDLP and AOS-SDLP

The TM-SDLP and AOS-SDLP each have a service called the Packet Service for transferring Packets. A sequence of Packets supplied by a sending user is transferred on a single Virtual Channel.

These services do not guarantee complete delivery of the Packets supplied by the sending user to the receiving user, nor do they signal gaps in the sequence of Packets delivered to the receiving user.

Different users (i.e., Packets with different PVNs) can share a single Virtual Channel, and if there are multiple users on a Virtual Channel, the service provider multiplexes Packets with different PVNs to form a single stream of Packets to be transferred on that Virtual Channel.

3.3.3 ENCAPSULATION SERVICE

Packets with authorized PVNs can be directly transferred by the Space Data Link Protocols using the services explained in 3.3.2. Packets that do not have an authorized PVN can be transferred with a service called the Encapsulation Service, defined in reference [17]. With this service, Packets are transferred encapsulated in either Space Packets defined in reference [13] or Encapsulation Packets defined in reference [17].

This service can be used with any Space Data Link Protocol and it uses a service provided by the underlying Space Data Link Protocol to transfer Packets.

3.3.4 SERVICES TO TRANSFER PRIVATE DATA

3.3.4.1 General

The Space Data Link Protocols provide services to transfer sequences of privately formatted SDUs (i.e., SDUs not formatted as Packets).

3.3.4.2 Services to Transfer Private Data Provided by TC-SDLP

The TC-SDLP provides two services to transfer sequences of privately formatted SDUs: the MAP Access (MAPA) Service and the Virtual Channel Access (VCA) Service.

The MAPA and VCA Services transfer sequences of privately formatted SDUs of variable length across a space link over a MAP Channel or a Virtual Channel, respectively.

For the VCA Service, the length of the SDUs transferred by this service is constrained by the length of the Transfer Frames (see 4.1) used by the service provider. The MAPA Service includes a segmentation function, so the length constraint does not apply to SDUs transferred by the MAPA Service.

Both Sequence-Controlled (Type-A) and Expedited (Type-B) service types (see 3.2.2.2) are provided for these services. The sending user specifies for each SDU whether Type-A or Type-B should be applied.

In a Virtual Channel that provides the VCA Service, only one user can use this service, and SDUs from different users are not multiplexed together within the Virtual Channel. In a MAP Channel that provides the MAPA Service, only one user can use this service, and SDUs from different users are not multiplexed together within the MAP Channel.

3.3.4.3 Services to Transfer Private Data Provided by TM-SDLP and AOS-SDLP

The TM-SDLP and AOS-SDLP each provide a VCA Service that transfers a sequence of privately formatted SDUs of fixed length over a Virtual Channel across a space link. The length of the SDUs transferred by this service is determined by the length of the Transfer Frames (see 4.1) used by the service provider.

The VCA Service is either asynchronous (see 3.2.4.3.2) or periodic (see 3.2.4.3.4). The service does not guarantee completeness, but it may signal gaps in the sequence of SDUs delivered to the receiving user.

In a Virtual Channel that provides the VCA Service, only one user can use this service, and SDUs from different users are not multiplexed together within the Virtual Channel.

3.3.5 SERVICES TO TRANSFER SHORT, FIXED-LENGTH DATA

3.3.5.1 General

The TM-SDLP and AOS-SDLP provide services to transfer sequences of short, fixed-length SDUs. These services are used to transfer, at relatively short intervals, data used for spacecraft operations (for example, reports on command reception or data used for clock calibration). These services are synchronous (see 3.2.4.3.3).

3.3.5.2 Services to Transfer Short, Fixed-Length Data Provided by TM-SDLP

The TM-SDLP provides four services to transfer sequences of short, fixed-length SDUs: the Virtual Channel Frame Secondary Header (VC_FSH) Service, the Virtual Channel Operational Control Field (VC_OCF) Service, the Master Channel Frame Secondary Header (MC_FSH) Service and the Master Channel Operational Control Field (MC_OCF) Service.

The VC_FSH and VC_OCF Services provide transfer of fixed-length SDUs synchronized with the release of Transfer Frames of a Virtual Channel. The MC_FSH and MC_OCF Services provide transfer of fixed-length SDUs synchronized with the release of Transfer Frames of a Master Channel.

These services do not guarantee completeness but may signal gaps in the sequence of SDUs delivered to the receiving user.

In a Virtual or Master Channel that provides one of the above services, only one user can use this service, and SDUs from different users are not multiplexed together within the Virtual or Master Channel. However, one or more users of the Packet or Virtual Channel Access Service may coexist in the Virtual or Master Channel used to support this service.

3.3.5.3 Services to Transfer Short, Fixed-Length Data Provided by AOS-SDLP

The AOS-SDLP provides two services to transfer sequences of short, fixed-length SDUs: the VC_OCF Service and the Insert Service.

The VC_OCF Service provides transfer of fixed-length SDUs synchronized with the release of Transfer Frames of a Virtual Channel. The Insert Service provides transfer of fixed-length SDUs synchronized with the release of Transfer Frames of a Physical Channel.

These services do not guarantee completeness but may signal gaps in the sequence of SDUs delivered to the receiving user.

In a Virtual Channel that provides the VC_OCF Service or in a Physical Channel that provides the Insert Service, only one user can use this service, and SDUs from different users are not multiplexed together within the Virtual or Physical Channel. However, one or more users of the Packet or VCA Service may coexist in the Virtual or Physical Channel used to support this service.

3.3.6 SERVICES TO TRANSFER FRAMES

The Space Data Link Protocols each have two services to transfer Transfer Frames over a space link: the Virtual Channel Frame (VCF) Service and the Master Channel Frame (MCF) Service. Since Transfer Frames are generated by the Space Data Link Protocols, these services are used by entities of the Space Data Link Protocols, not by entities of protocols of higher layers as is the case for the other services.

The VCF (or MCF) Service provides transfer of a sequence of Transfer Frames, created by an independent protocol entity of the same protocol, on a Virtual (or Master) Channel across a space link.

In a Virtual or Master Channel that provides the VCF or MCF Service, only one user can use the service, and SDUs from different users are not multiplexed together within the Virtual or Master Channel.

The VCF and MCF Services provided by the TC-SDLP do not guarantee completeness. The service provider does not make any distinction between Type-A and Type-B Services (see 3.2.2.2) for SDUs supplied by the user. The user should perform necessary procedures to provide Type-A and Type-B Services.

The VCF and MCF Services provided by the TM-SDLP and AOS-SDLP do not guarantee completeness but may signal gaps in the sequence of SDUs delivered to the receiving user. Transfer Frames supplied as SDUs to these services must have the same length as those generated by the service provider.

3.4 TYPICAL EXAMPLE

Figure 3-4 shows an example of how the TM Space Data Link Protocol provides users with services for transferring various type of data over a space link.

In this example, there are three sending entities onboard a spacecraft and three receiving entities on the ground, each receiving entity corresponding to one of the sending entities. (1) An onboard entity of the Space Packet Protocol sends urgent and non-urgent Packets to a ground entity of the same protocol over the space link. Onboard the spacecraft and on the ground, there may be other entities of the Space Packet Protocol that are not shown in the figure, but they are connected via onboard and ground links (or sub-networks), respectively, and how they communicate within these links (or sub-networks) is outside the scope of this document. (2) An onboard process for calibrating the onboard clock needs to send the current value of the onboard clock to the corresponding process on the ground so that the ground process can calibrate the onboard clock against the ground clock. (3) A stream of encrypted data whose structure is unknown to the TM-SDLP needs to be sent over the space link.

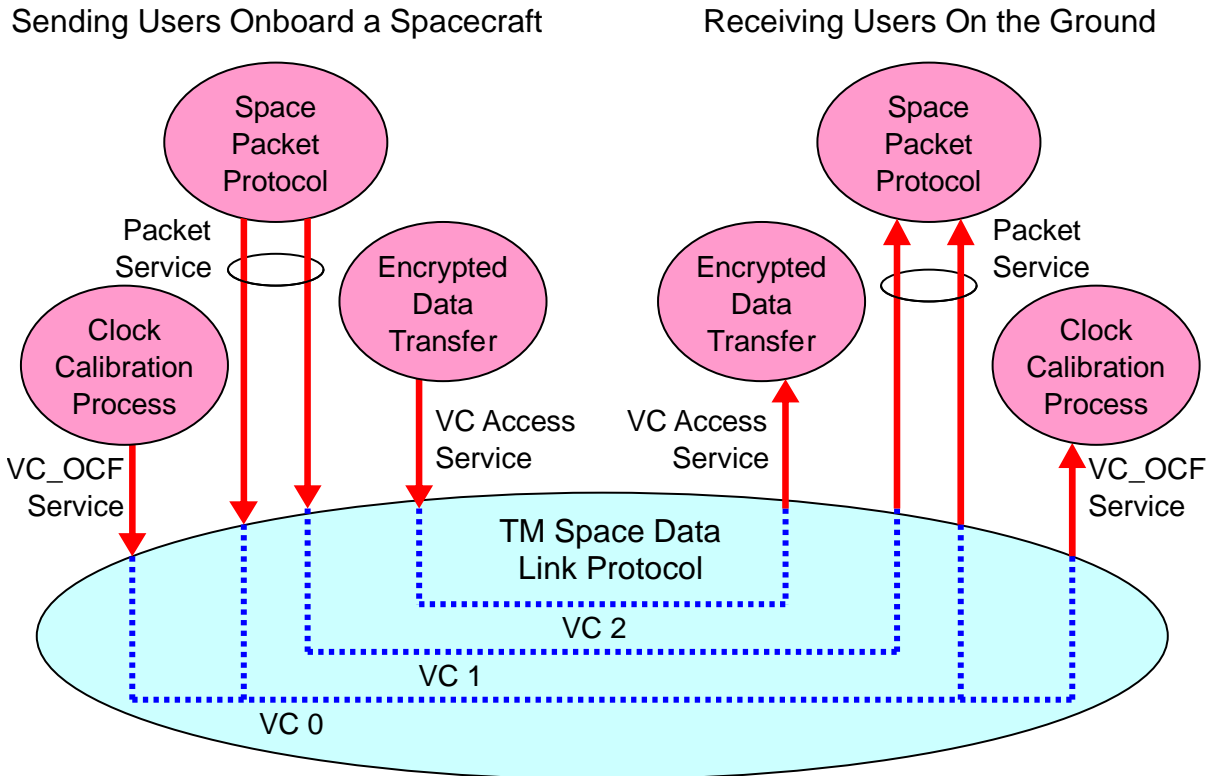


Figure 3-4: Example of How TM-SDLP Provides Services

The sequence of urgent and non-urgent Packets are transferred with two instances of the Packet Service, each on a different Virtual Channel (urgent Packets on VC 0 and non-urgent Packets on VC 1 in this case). It will be explained in 4.2 how the traffic on these two Virtual Channels is handled and how their quality of service is controlled.

Since the clock calibration data is short and of a fixed length, it is transferred with the VC_OCF Service, one of the services for transferring a sequence of short, fixed-length SDUs. In this example, VC 0 is chosen for transferring clock calibration data.

The mechanism used in this example for transferring a stream of encrypted data, multiplexed with the other data, is to use the VCA Service on VC 2, which is dedicated to the transfer of encrypted data. The sending user generates a sequence of chunks of fixed length from the stream of encrypted data and supplies them to the service provider as SDUs, which are delivered to the receiving user for decryption.

4 WHAT DO THE SPACE DATA LINK PROTOCOLS PERFORM? - FROM DEVELOPERS' PERSPECTIVE

4.1 TRANSFER FRAMES

4.1.1 GENERAL

The Protocol Data Units exchanged between entities of the Space Data Link Protocols are called Transfer Frames. Transfer Frames used by the TC-SDLP, TM-SDLP, and AOS-SDLP are called TC Transfer Frames, TM Transfer Frames, and AOS Transfer Frames, respectively. Each Transfer Frame consists of a header which provides protocol control information and a data field within which SDUs are carried.

4.1.2 TC TRANSFER FRAMES

The TC-SDLP uses variable-length Transfer Frames to facilitate reception of short messages with a short delay. The length of each TC Transfer Frame is contained in its header. The TC-SDLP uses another data unit called the Communications Link Control Word (CLCW). CLCWs are sent from the receiver to the sender of TC Transfer Frames and contain a report that describes the status of acceptance of TC Transfer Frames at the receiver. CLCWs are usually transferred with a service provided by the TM-SDLP or the AOS-SDLP.

4.1.3 TM AND AOS TRANSFER FRAMES

The TM-SDLP and AOS-SDLP use fixed-length Transfer Frames to facilitate simple, reliable, and robust synchronization procedures over weak-signal, noisy links. Their length must be fixed on a particular Physical Channel during a Mission Phase and must be known to the receiver through a management activity before the actual reception occurs. The length of Transfer Frames must be determined according to the rules specified in reference [10].

4.2 VIRTUAL CHANNELS

The mechanism used by the Space Data Link Protocols for transferring data with different QoS (Quality of Service, mostly priority and latency in this case) requirements is the use of Virtual Channels. The Virtual Channel facility allows one Physical Channel to be divided into multiple separate logical data channels, each known as a Virtual Channel (VC) and identified by a Virtual Channel Identifier (VCID) (see figure 4-1). Each Virtual Channel carries a separate sequence of SDUs, which may have different QoS requirements from those carried on the other Virtual Channels. Each Transfer Frame transferred over a Physical Channel belongs to one of the Virtual Channels of the Physical Channel.

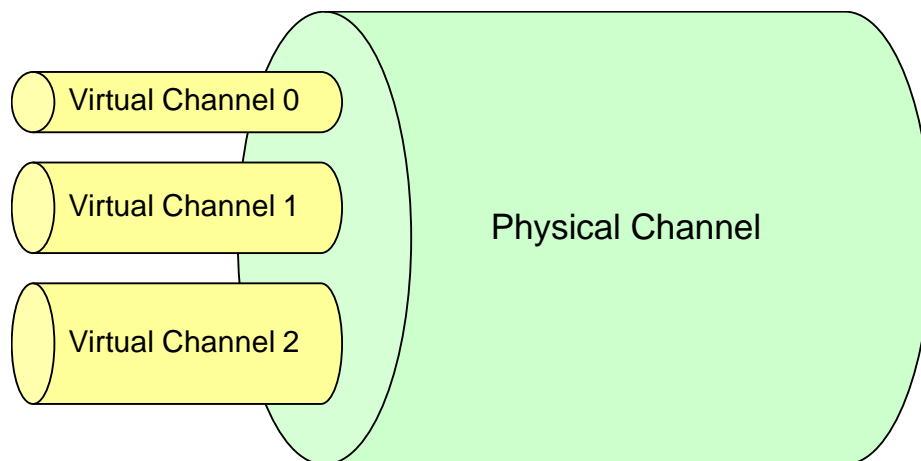


Figure 4-1: Virtual Channels

Figure 4-2 shows an example that illustrates how Virtual Channels are used to transfer Packets with different QoS requirements. In this example, the Physical Channel has two Virtual Channels: VC 0 for high-priority traffic and VC 1 for low-priority traffic. In figure 4-2, a long, low-priority Packet (for memory upload or download, for example) is being transmitted on VC 1. Since this Packet is longer than what can be carried by the maximum-size Transfer Frame (if the TC-SDLP is used) or the fixed-length Transfer Frame (if the TM-SDLP or AOS-SDLP is used), it is carried by two consecutive Transfer Frames of VC 1. Then, when the first Transfer Frame carrying this low-priority Packet is being transmitted, a short, high-priority Packet (carrying an on-off command or an event report, for example) is generated. Since this high-priority Packet needs to be transmitted as soon as possible, a Transfer Frame of VC 0 is generated to carry this high-priority Packet and inserted between the first and second Transfer Frames of VC 1 that carry the low-priority Packet. To use this kind of algorithm, a buffer memory with a sufficient capacity to store SDUs and/or Transfer Frames temporarily must be implemented in the service provider.

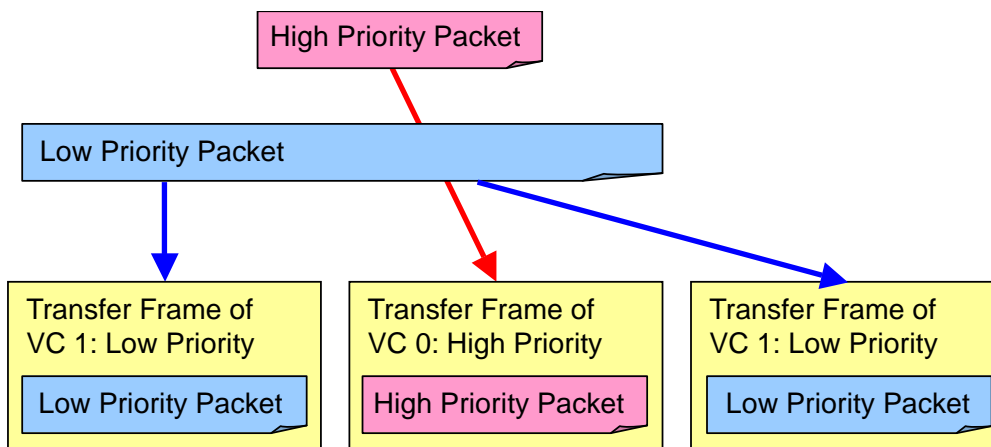


Figure 4-2: An Example of How to Use Virtual Channels

By using a proper algorithm for multiplexing Transfer Frames of different Virtual Channels, the QoS requirements of SDUs can be met to some extent. If the SLE Forward Space Packet Protocol Service (reference [20]) is used on the ground to forward Space Packets to be transmitted to a spacecraft using the TC-SDLP, the algorithm specified in reference [20] must be used for multiplexing Virtual Channels. Otherwise, CCSDS does not recommend any standard algorithm for multiplexing Virtual Channels, and it is the responsibility of the project to ensure that the multiplexing algorithm used for that project actually satisfies the QoS requirements.

4.3 ADDRESSING AND MULTIPLEXING

4.3.1 GENERAL

The Space Data Link Protocols use some addresses or identifiers to identify data streams. All the Space Data Link Protocols use the following identifiers: the Transfer Frame Version Number (TFVN), the Spacecraft Identifier (SCID), the Virtual Channel Identifier (VCID) (explained in 4.2), the Master Channel Identifier (MCID), and the Physical Channel Name. In addition to these identifiers, the TC-SDLP optionally uses an identifier called the Multiplexer Access Point Identifier (MAP ID).

Figure 4-3 shows the hierarchy of these identifiers and the channels identified by them.

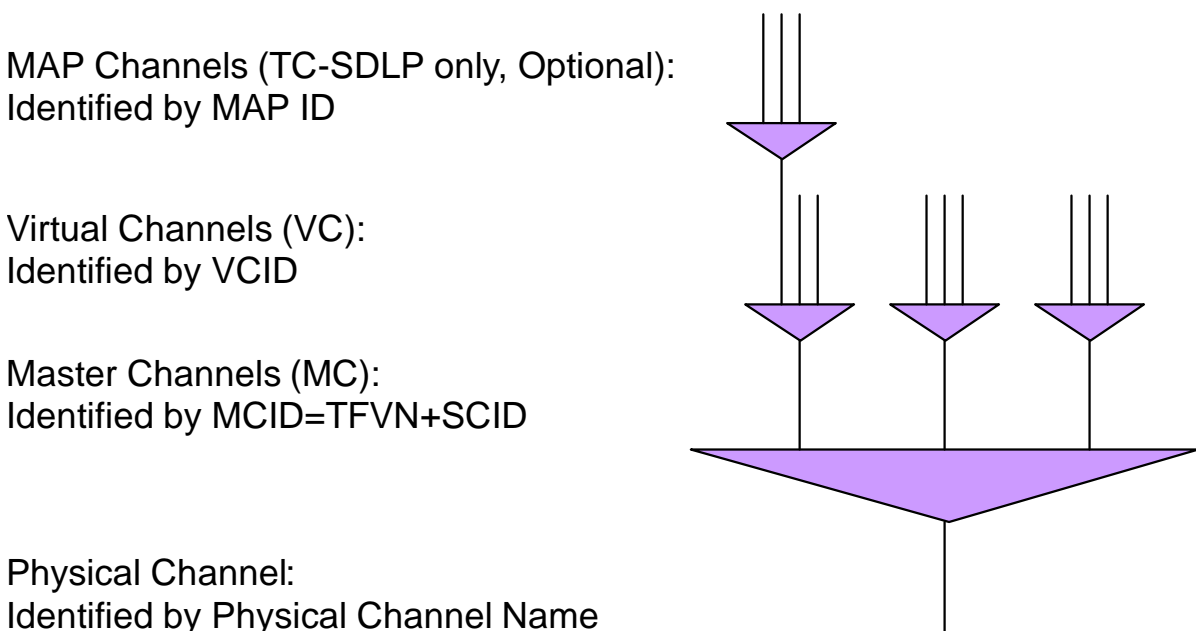


Figure 4-3: Hierarchy of the Identifiers and Channels Used by the Space Data Link Protocols

4.3.2 TRANSFER FRAME VERSION NUMBER

The Transfer Frame Version Number (TFVN) is used to distinguish among different Transfer Frames. The values for the TC, TM, and AOS Transfer Frames are 1 ('00'), 1 ('00'), and 2 ('01'), respectively. The numbers in the parentheses are binary encoded values that actually appear in the header of Transfer Frames. The TC and TM Transfer Frames, which share the same TFVN value, should be distinguished by management or configuration information.

4.3.3 SPACECRAFT IDENTIFIER

The Spacecraft Identifier (SCID) is used to identify the spacecraft associated with the space link, but it must always be modified by the TFVN in order to identify the spacecraft uniquely. In other words, there is a set of SCIDs (each of which consists of 10 bits) for spacecraft that use the TC-SDLP and TM-SDLP (for which the value of TFVN is 1) and another set of SCIDs (each of which consists of 8 bits) for spacecraft that use the AOS-SDLP (for which the value of TFVN is 2).

If a spacecraft uses the TC-SDLP on the forward link and the AOS-SDLP on the return link, it must be assigned two SCIDs, one for the TC-SDLP (TFVN=1) and the other for the AOS-SDLP (TFVN=2). How the SCIDs should be assigned to spacecraft is specified in reference [18].

4.3.4 MASTER CHANNEL IDENTIFIER

The concatenation of a TFVN and a SCID is known as a Master Channel Identifier (MCID), and it is the identifier that uniquely identifies the spacecraft. All Transfer Frames with the same MCID on a Physical Channel constitute a Master Channel (MC). A Master Channel consists of one or more Virtual Channels, each of which is identified with a VCID. The concatenation of an MCID and a VCID is called a Global Virtual Channel Identifier (GVCID).

In most cases, a Physical Channel carries only Transfer Frames of a single MCID, and in these cases the Physical Channel is identical with the Master Channel identified with the MCID. But a Physical Channel may carry Transfer Frames with multiple MCIDs (with the same TFVN) and in these cases the Physical Channel consists of multiple Master Channels. That is, Transfer Frames associated with multiple spacecraft may be multiplexed into a single Physical Channel, but the length of all Transfer Frames must be the same if TM-SDLP or AOS-SDLP is used.

Transfer Frames of different Space Data Link Protocols must not be multiplexed on a Physical Channel.

4.3.5 PHYSICAL CHANNEL NAME

A Physical Channel is identified with a Physical Channel Name, which is set by management and not included in the header of Transfer Frames.

4.3.6 MULTIPLEXER ACCESS POINT IDENTIFIER

The TC-SDLP uses an optional identifier called the Multiplexer Access Point Identifier (MAP ID) that is used to create multiple streams of data within a Virtual Channel. All the Transfer Frames on a Virtual Channel with the same MAP ID constitute a MAP Channel. If the MAP ID is used, a Virtual Channel consists of one or multiple MAP Channels. Both Virtual Channels and MAP Channels can be used for multiplexing streams of SDUs.

MAPs also provide the capability of segmenting Packets and other privately formatted SDUs and must be used if Packets or SDUs whose lengths exceed the maximum length that can be carried by Transfer Frames are to be transferred (see 4.5.2).

4.4 RETRANSMISSION

4.4.1 GENERAL

The TC-SDLP has the capability to retransmit lost or corrupted data to ensure delivery of SDUs in sequence, without gaps or duplication, over a space link. This capability is provided by a retransmission control mechanism realized by the Communications Operation Procedure-1 (COP-1), which is defined in reference [4], when the Sequence-Controlled (Type-A) Service is used. This Service only guarantees complete delivery of SDUs over the space link, and if the SDUs traverse a larger network of which the space link is an element, it does not guarantee complete end-to-end delivery through the entire network.

Neither TM-SDLP nor AOS-SDLP has a retransmission capability, so retransmission must be done by a higher-layer protocol if complete delivery of data is required.

4.4.2 COMMUNICATIONS OPERATION PROCEDURE-1 (COP-1)

4.4.2.1 General

The TC-SDLP relies on forward error correction/detection mechanisms provided by the Synchronization and Channel Coding Sublayer to support the error-free delivery of SDUs. However, to improve protection against errors undetected by the Synchronization and Channel Coding Sublayer, an error-control mechanism is also available in TC-SDLP. This mechanism, in connection with the underlying services of the Synchronization and Channel Coding Sublayer, provides a very high level of protection against errors introduced on the space link. It is also advisable to use the Frame Error Control Field defined in reference [1] when the forward error correction/detection capability provided by the Synchronization and Channel Coding Sublayer is not sufficient. For information on the performance of the various error protection options provided by the Channel Coding Sublayer and the TC-SDLP, refer to reference [21].

This error-control mechanism of the TC-SDLP is provided by the Communications Operation Procedure-1 (COP-1) when the Sequence-Controlled (Type-A) Service is used. It is a closed-loop procedure executed by the sending and receiving ends of TC-SDLP, and

utilizes an automatic request for retransmission (ARQ) procedure of the 'go-back-*n*' type to retransmit Transfer Frames that were rejected by the receiving end of the protocol. It allows Transfer Frames to be accepted by the receiving end only if they are received in strict sequential order, thus enabling the SDUs to be delivered to the layer above at the receiving end, correct and without omission or duplication, and in the same sequential order in which they were received from the layer above at the sending end.

COP-1 consists of a pair of synchronized procedures for each Virtual Channel: a Frame Operation Procedure-1 (FOP-1) that executes within the sending entity; and a Frame Acceptance and Reporting Mechanism-1 (FARM-1) that executes within the receiving entity. The FOP-1 transmits Transfer Frames of a particular Virtual Channel to the FARM-1 of the same Virtual Channel. The FARM-1 returns reports of the status of Transfer Frame acceptance to the FOP-1 using data units called the Communications Link Control Words (CLCWs), which are transmitted by a Space Data Link Protocol used on the other direction.

COP-1 provides two services (Sequence-Controlled Service and Expedited Service) that determine how reliably SDUs supplied by the sending user are delivered to the receiving user.

4.4.2.2 Sequence-Controlled Service

The Sequence-Controlled Service (or the Type-A Service) is realized by an automatic request for retransmission (ARQ) procedure of the 'go-back-*n*' type with sequence-control mechanisms of both sending and receiving ends and a standard report returned from the receiving end to the sending end using CLCWs.

For the Sequence-Controlled Service, COP-1 ensures with a high probability of success that

- a) no SDU is lost;
- b) no SDU is duplicated;
- c) no SDU is delivered out of sequence.

For the Sequence-Controlled Service, TC-SDLP uses a type of Transfer Frames called Type-A Transfer Frames. Control of sequentiality is maintained using the Frame Sequence Number that must be present in each Type-A Transfer Frame. Type-A Transfer Frames are transmitted by the FOP-1 with their Frame Sequence Numbers arranged in strict up-counting order. The FARM-1 permits Type-A Transfer Frames to be accepted only if they are received bearing Frame Sequence Numbers in the proper up-counting sequential order. Upon detection of the first sequence error, the FARM-1 will reject all subsequent Type-A Transfer Frames, on that Virtual Channel, which do not contain the expected Frame Sequence Number. FOP-1 initiates retransmission either in response to a 'Retransmit' Flag in the CLCW or by detecting a timeout. FOP-1 performs retransmission by re-sending all unacknowledged Type-A Transfer Frames on that Virtual Channel. FOP-1 and FARM-1 also have a window mechanism to prevent a new Transfer Frame with the same Frame Sequence Number as that of a missing Transfer Frame from being transmitted or accepted.

4.4.2.3 Expedited Service

The Expedited Service (or the Type-B Service) is normally used either in exceptional operational circumstances, typically during spacecraft recovery operations, or when a higher-layer protocol provides a retransmission capability.

For the Expedited Service, TC-SDLP uses a type of Transfer Frames called Type-B Transfer Frames. Type-B Transfer Frames are also used to send Control Commands from the FOP-1 to the FARM-1. At the sending end, Type-B Transfer Frames are transmitted as close to immediately as possible, and at the receiving end, the SDUs carried by Type-B Transfer Frames will be delivered to the receiving user immediately. Type-B Transfer Frames are transmitted only once (i.e., no retransmission), and there is no guarantee that all SDUs transmitted with Type-B Transfer Frames are delivered to the receiving user.

Valid Type-B Transfer Frames will always be accepted by FARM-1, and processed only to the extent of incrementing a counter for Type-B Transfer Frames in the CLCW. Type-B Transfer Frames are protected by the error correction/detection capability of the underlying Synchronization and Channel Coding Sublayer. Therefore, Type-B Transfer Frames accepted by FARM-1 have a very high probability that they are error-free, but their sequentiality is not controlled by COP-1.

4.5 TRANSFER OF PACKETS

4.5.1 GENERAL

How Packets are transferred with Transfer Frames differs depending on the Space Data Link Protocol. The following subsections provide an informal overview of the procedures for transferring Packets with Transfer Frames. The exact procedures are specified in the Recommended Standards (references [1], [2] and [3]).

4.5.2 TRANSFER OF PACKETS BY THE TC SPACE DATA LINK PROTOCOL

If MAPs (see 4.3.6) are used, Packets whose lengths exceed the maximum length that can be carried by a Transfer Frame are sent by dividing them (i.e., by segmentation) into portions that are compatible with insertion into Transfer Frames. In this case, each Transfer Frame contains either a portion of a large Packet, a single complete Packet, or multiple complete Packets. The portions of a divided Packet must be transferred in consecutive Transfer Frames of the MAP Channel without being interlaced with other Packets or portions of other Packets in the same MAP Channel.

If MAPs are not used, segmentation is not performed and each Transfer Frame contains either a single complete Packet or multiple complete Packets.

When extracting multiple Packets from a single Transfer Frame, the length field of the Packets is used. Therefore, the location and meaning of the length field of the Packets transferred over the space link must be known to the service provider. (The Packets transferred by the TC-SDLP are limited to those with PVNs authorized by CCSDS.)

4.5.3 TRANSFER OF PACKETS BY THE TM AND AOS SPACE DATA LINK PROTOCOLS

Packets are inserted into a Transfer Frame concatenated together until it is full. If a Packet exceeds the Transfer Frame length, it will be split, filling the Transfer Frame completely, and starting a new Transfer Frame on the same Virtual Channel with the remainder. Construction of the next Transfer Frame will continue with the concatenation of Packets until it overflows. The First Header Pointer field of the Transfer Frame will be set to indicate the location of the first octet of the first Packet occurring within the Transfer Frame.

The service provider may generate an Idle Packet in the absence of sufficient Packets supplied from the sending users to fill a Transfer Frame at release time. The format of the Idle Packet is defined by reference [13]. If it is necessary, the service provider may generate a Transfer Frame without any Packets using the methods specified in the Recommended Standards (references [2] and [3]).

At the receiving end, the service provider extracts Packets from Transfer Frames. The First Header Pointer of Transfer Frames will be used in conjunction with the length field of each Packet contained within the Transfer Frames to provide the delimiting information needed to extract Packets. Therefore, the location and meaning of the length field of the Packets transferred over the space link must be known to the service provider. (The Packets transferred by the TM-SDLP and AOS-SDLP are limited to those with PVNs authorized by CCSDS.)

5 FREQUENTLY ASKED QUESTIONS ON THE SPACE DATA LINK PROTOCOLS

5.1 HOW DO THE SPACE DATA LINK PROTOCOLS DIFFER FROM HDLC?

One difference between the Space Data Link Protocols and HDLC is that the former assume that a powerful error coding method is used to protect data from errors induced while the physical signals are being transmitted across the space link, and the frame structure is designed in such a way that synchronization and decoding of received data can be performed in an efficient way; while the latter does not take such things in account. Therefore, care must be taken if HDLC is to be used over a noisy space link so that its performance is not degraded too much by the errors that occur on the space link.

Another difference is that the frame structures used by the Space Data Link Protocols are upper-compatible with those of traditional (time division multiplexing) frame formats so that the base-band portion of the conventional receiving systems can be used to support the Space Data Link Protocols without any major modification.

5.2 ARE THE SPACE DATA LINK PROTOCOLS SECURE PROTOCOLS?

No. Either the SDUs carried by these protocols or the entire Protocol Data Units generated by these protocols may be encrypted, but how it should be performed is not specified by these protocols. See reference [19] for how security may be implemented with these protocols.

5.3 IS THERE A STANDARD METHOD FOR MANAGING PARAMETERS SUCH AS (TM AND AOS) TRANSFER FRAME LENGTHS?

CCSDS is developing a standard method for managing such parameters as part of the Space Link Extension Service Management Recommended Standard. Please check the CCSDS web site for information on its development.

5.4 CAN COP-1 BE APPLIED TO DEEP SPACE COMMANDING?

Yes. In deep space, however, a special technique must be used to transmit a sequence of Transfer Frames reliably over a space link with a very long round trip time delay. If reliable transmission of a sequence of Transfer Frames is required and an error that cannot be corrected by the Synchronization and Channel Coding Sublayer occurs on the space link during transmission, the erroneous Transfer Frame and all the subsequent Transfer Frames must be retransmitted by the sender, but this takes at least one additional round-trip light-time if the standard procedure provided by COP-1 is used.

The most commonly used technique for avoiding retransmission is to transmit the same sequence of Transfer Frames multiple times using the Sequence-Controlled Service of

COP-1 (see 4.4.2.2). This can be done by adjusting the initial value of the timer used by the sending end to determine whether retransmission is necessary (for details, see reference [4]). This technique reduces the probability of retransmission by sacrificing the transmission efficiency (because the same Transfer Frames are transmitted multiple times). It should be noted that it cannot completely eliminate the possibility of retransmission, but the probability of retransmission can be made very small by using this technique. At the receiving end, COP-1 can deliver the SDUs (user data) contained in the received sequence of Transfer Frames to the receiving user in sequence and without duplication using the standard procedure of COP-1, even though the sequence of Transfer Frames has been transmitted multiple times.

5.5 CAN COP-1 BE APPLIED TO BLIND COMMANDING?

Yes. It is sometimes necessary to transmit commands when telemetry is not available. In such cases, the Expedited Service of COP-1 (see 4.4.2.3) should be used because the Sequence-Controlled Service requires a feedback loop via the telemetry link for proper operations. If the Expedited Service is used, however, there is no guarantee that all transmitted data is delivered to the receiving user. Since transmitted Transfer Frames are always protected by the error correction/detection capability of the Synchronization and Channel Coding Sublayer, data delivered to the receiving user has a very high probability that it is error-free, but there may be gaps in the data because Transfer Frames containing errors not correctable by the Synchronization and Channel Coding Sublayer are discarded and not retransmitted.

ANNEX A

ACRONYMS

This annex lists the acronyms and abbreviations used in this Report.

AOS	Advanced Orbiting Systems
ARQ	Automatic Repeat Request
CCSDS	Consultative Committee for Space Data Systems
CLCW	Communications Link Control Word
FARM	Frame Acceptance and Reporting Mechanism
FOP	Frame Operation Procedure
GVCID	Global Virtual Channel Identifier
HDLC	High-Level Data Link Control
ID	Identifier
IP	Internet Protocol
MAP ID	Multiplexer Access Point Identifier
MAP	Multiplexer Access Point
MAPA	Multiplexer Access Point Access
MAPP	Multiplexer Access Point Packet
MC	Master Channel
MC_FSH	Master Channel Frame Secondary Header
MC_OCF	Master Channel Operational Control Field
MCID	Master Channel Identifier
MCF	Master Channel Frame
PVN	Packet Version Number
QoS	Quality of Service
SAP	Service Access Point

CCSDS HISTORICAL DOCUMENT
CCSDS REPORT CONCERNING THE SPACE DATA LINK PROTOCOLS

SCI	Service Control Information
SCID	Spacecraft Identifier
SDLP	Space Data Link Protocol
SDU	Service Data Unit
SLE	Space Link Extension
TC	Telecommand
TFVN	Transfer Frame Version Number
TM	Telemetry
VC	Virtual Channel
VC_FSH	Virtual Channel Frame Secondary Header
VC_OCF	Virtual Channel Operational Control Field
VCA	Virtual Channel Access
VCID	Virtual Channel Identifier
VCF	Virtual Channel Frame
VCP	Virtual Channel Packet

ANNEX B

SUMMARY OF SERVICES

This annex shows, in a schematic way, the services provided by each of the Space Data Link Protocols and how these services can be multiplexed onto a space link. The diagrams in this annex show only services used by higher-layer protocols and do not show services used within the same protocol (i.e., VC and MC Frame Services). These diagrams also show how service users are identified with identifiers and addresses.

B1 CONVENTIONS USED IN THE DIAGRAMS

The conventions used in the diagrams of this annex are explained below.

- a) Protocol names in bold italic are potential users of the services.
- b) Selection (shown with sets of dotted lines in the diagrams) is a function of selecting one (and only one) of the connections shown with dotted lines.
- c) Commutating (shown with boxes in the diagrams) is a function of blocking, according to the formatting rule specified by the protocol definition, multiple data units, each from a different service, in a single Protocol Data Unit sharing the same identifier (e.g., the same VCID).
- d) Decommutating is the inverse process of commutating.
- e) Multiplexing (shown with triangles in the diagrams) is a function of mixing, according to an algorithm established by the project, multiple streams of data units, each with a different identifier, generating a single stream of data units.
- f) Demultiplexing is the inverse process of multiplexing.
- g) Names in triangles are identifiers or addresses used as the key for the multiplexing/demultiplexing process.

Graphical conventions used in the diagrams are summarized in figure B-1.

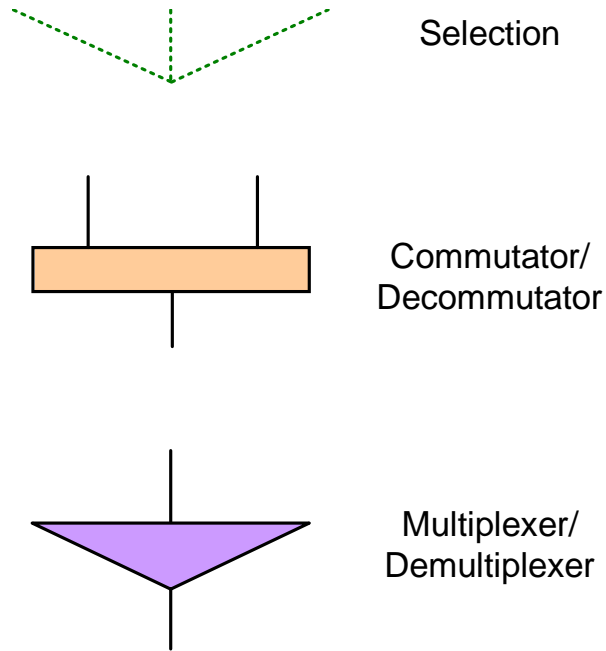


Figure B-1: Graphical Conventions

B2 TC DATA LINK PROTOCOL

Figure B-2 shows major services provided by the TC Data Link Protocol and how these services are used by other space link protocols.

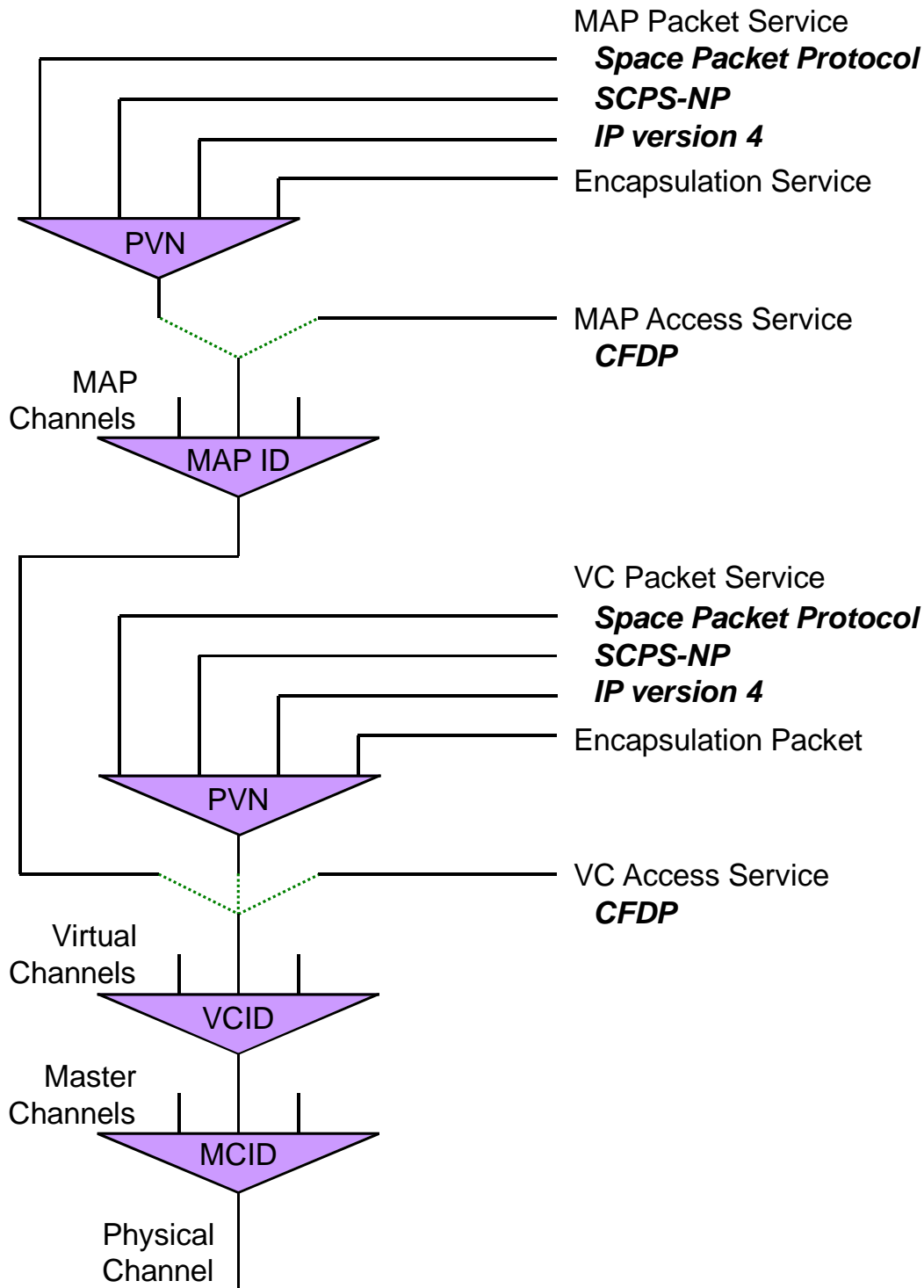


Figure B-2: TC Data Link Services

B3 TM DATA LINK PROTOCOL

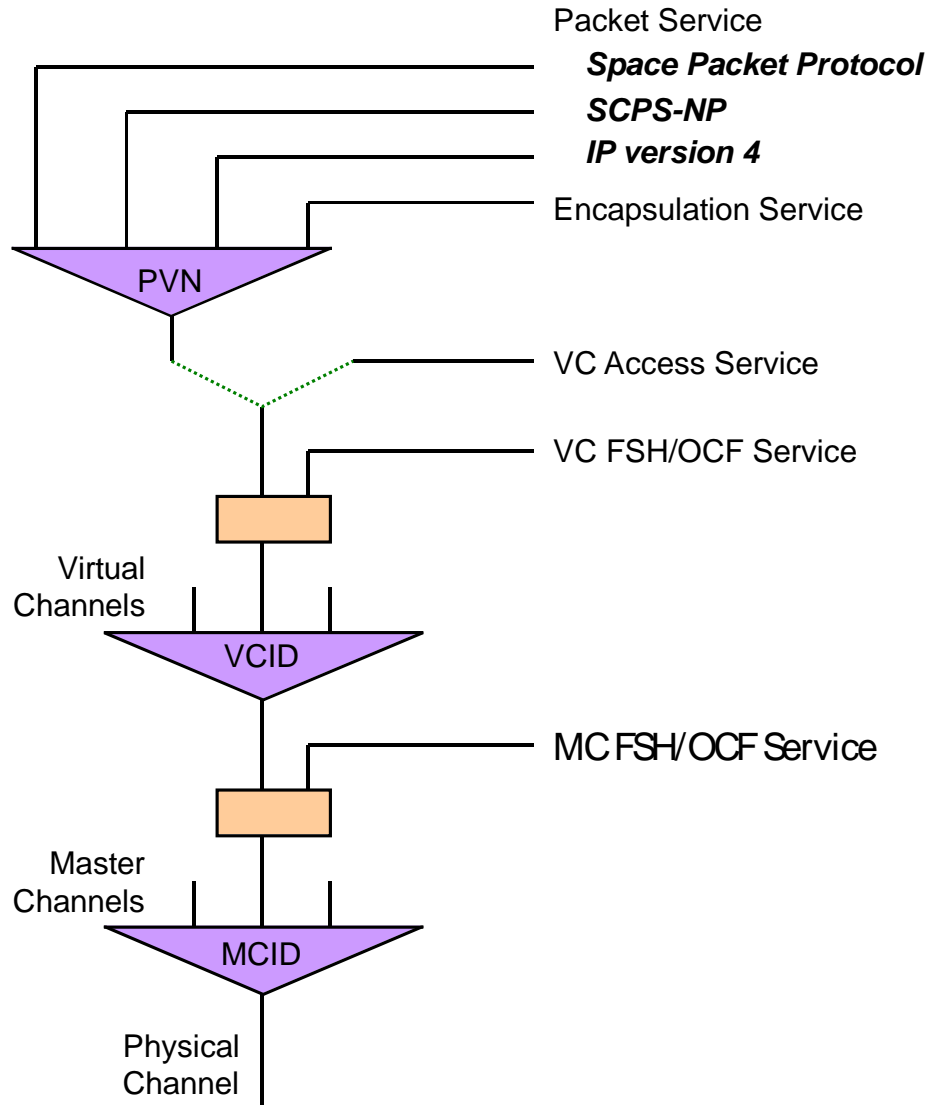


Figure B-3: Service Provided by TM-SDLP

B4 AOS DATA LINK PROTOCOL

Figure B-4 shows major services provided by the AOS Data Link Protocol and how these services are used by other space link protocols.

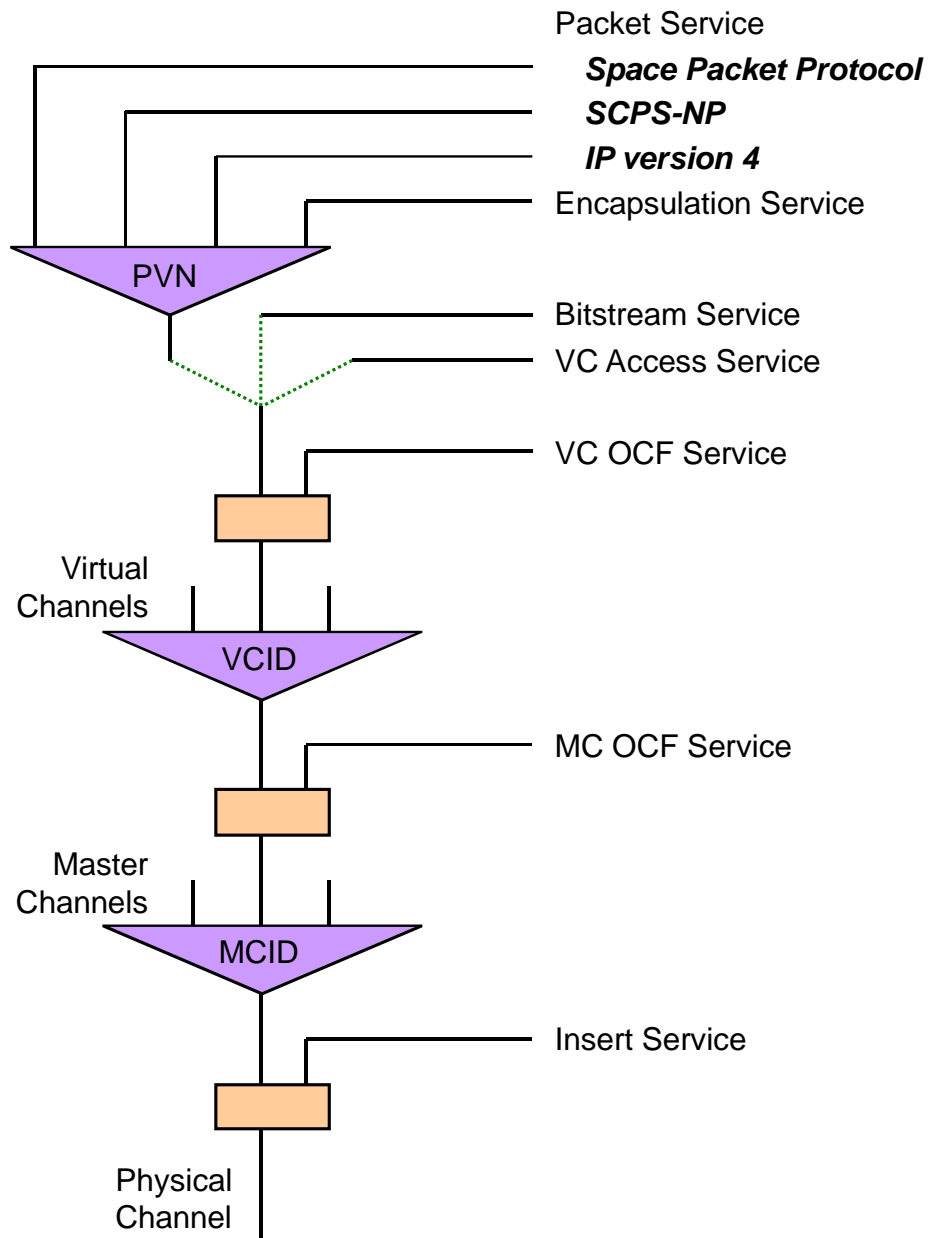


Figure B-4: AOS Data Link Services