



CCSDS

The Consultative Committee for Space Data Systems

Report Concerning Space Data System Standards

DELTA-DOR— TECHNICAL CHARACTERISTICS AND PERFORMANCE

INFORMATIONAL REPORT

CCSDS 500.1-G-1

GREEN BOOK

May 2013

Report Concerning Space Data System Standards

**DELTA-DOR—
TECHNICAL
CHARACTERISTICS AND
PERFORMANCE**

INFORMATIONAL REPORT

CCSDS 500.1-G-1

GREEN BOOK

May 2013

AUTHORITY

Issue:	Informational Report, Issue 1
Date:	May 2013
Location:	Washington, DC, USA

This document has been approved for publication by the Management Council of the Consultative Committee for Space Data Systems (CCSDS) and reflects the consensus of technical panel experts from CCSDS Member Agencies. The procedure for review and authorization of CCSDS Reports is detailed in *Organization and Processes for the Consultative Committee for Space Data Systems* (CCSDS A02.1-Y-3).

This document is published and maintained by:

CCSDS Secretariat
Space Communications and Navigation Office, 7L70
Space Operations Mission Directorate
NASA Headquarters
Washington, DC 20546-0001, USA

FOREWORD

This Report contains technical material to supplement the CCSDS Recommendations for the standardization of Delta Differential One-way Ranging operations by CCSDS Member Agencies. The topics covered herein include a general description of the technique, theoretical background, definition of observables, estimates of system performance, system trade-offs, and descriptions of existing systems. This Report deals explicitly with the technical definitions and conventions associated with inter-Agency cross-support situations involving Delta Differential One-way Ranging operations.

Through the process of normal evolution, it is expected that expansion, deletion, or modification of this document may occur. This Report is therefore subject to CCSDS document management and change control procedures, which are defined in *Organization and Processes for the Consultative Committee for Space Data Systems* (CCSDS A02.1-Y-3). Current versions of CCSDS documents are maintained at the CCSDS Web site:

<http://www.ccsds.org/>

Questions relating to the contents or status of this document should be addressed to the CCSDS Secretariat at the address indicated on page i.

CCSDS REPORT CONCERNING DELTA-DOR—
TECHNICAL CHARACTERISTICS AND PERFORMANCE

At time of publication, the active Member and Observer Agencies of the CCSDS were:

Member Agencies

- Agenzia Spaziale Italiana (ASI)/Italy.
- Canadian Space Agency (CSA)/Canada.
- Centre National d'Etudes Spatiales (CNES)/France.
- China National Space Administration (CNSA)/People's Republic of China.
- Deutsches Zentrum für Luft- und Raumfahrt e.V. (DLR)/Germany.
- European Space Agency (ESA)/Europe.
- Federal Space Agency (FSA)/Russian Federation.
- Instituto Nacional de Pesquisas Espaciais (INPE)/Brazil.
- Japan Aerospace Exploration Agency (JAXA)/Japan.
- National Aeronautics and Space Administration (NASA)/USA.
- UK Space Agency/United Kingdom.

Observer Agencies

- Austrian Space Agency (ASA)/Austria.
- Belgian Federal Science Policy Office (BFSP0)/Belgium.
- Central Research Institute of Machine Building (TsNIIMash)/Russian Federation.
- China Satellite Launch and Tracking Control General, Beijing Institute of Tracking and Telecommunications Technology (CLTC/BITTT)/China.
- Chinese Academy of Sciences (CAS)/China.
- Chinese Academy of Space Technology (CAST)/China.
- Commonwealth Scientific and Industrial Research Organization (CSIRO)/Australia.
- CSIR Satellite Applications Centre (CSIR)/Republic of South Africa.
- Danish National Space Center (DNSC)/Denmark.
- Departamento de Ciência e Tecnologia Aeroespacial (DCTA)/Brazil.
- European Organization for the Exploitation of Meteorological Satellites (EUMETSAT)/Europe.
- European Telecommunications Satellite Organization (EUTELSAT)/Europe.
- Geo-Informatics and Space Technology Development Agency (GISTDA)/Thailand.
- Hellenic National Space Committee (HNSC)/Greece.
- Indian Space Research Organization (ISRO)/India.
- Institute of Space Research (IKI)/Russian Federation.
- KFKI Research Institute for Particle & Nuclear Physics (KFKI)/Hungary.
- Korea Aerospace Research Institute (KARI)/Korea.
- Ministry of Communications (MOC)/Israel.
- National Institute of Information and Communications Technology (NICT)/Japan.
- National Oceanic and Atmospheric Administration (NOAA)/USA.
- National Space Agency of the Republic of Kazakhstan (NSARK)/Kazakhstan.
- National Space Organization (NSPO)/Chinese Taipei.
- Naval Center for Space Technology (NCST)/USA.
- Scientific and Technological Research Council of Turkey (TUBITAK)/Turkey.
- Space and Upper Atmosphere Research Commission (SUPARCO)/Pakistan.
- Swedish Space Corporation (SSC)/Sweden.
- United States Geological Survey (USGS)/USA.

CCSDS REPORT CONCERNING DELTA-DOR—
TECHNICAL CHARACTERISTICS AND PERFORMANCE

DOCUMENT CONTROL

Document	Title	Date	Status
CCSDS 500.1-G-1	Delta-DOR—Technical Characteristics and Performance, Informational Report, Issue 1	May 2013	Current issue

CONTENTS

<u>Section</u>	<u>Page</u>
1 INTRODUCTION.....	1-1
1.1 PURPOSE AND SCOPE.....	1-1
1.2 APPLICABILITY.....	1-1
1.3 COMMON DELTA-DOR TERMINOLOGY.....	1-1
1.4 STRUCTURE OF THIS DOCUMENT.....	1-2
1.5 REFERENCES.....	1-2
2 OVERVIEW OF THE DELTA-DOR TECHNIQUE.....	2-1
2.1 SPACECRAFT AND QUASAR OBSERVATIONS.....	2-1
2.2 THE MEASUREMENT OF SPACECRAFT AND QUASAR SIGNALS.....	2-2
2.3 OBSERVATION SEQUENCES.....	2-3
2.4 OBSERVABLE MODELING.....	2-3
2.5 DELTA-DOR REQUIREMENTS ON SPACE AND GROUND INFRASTRUCTURE.....	2-3
3 THEORETICAL BACKGROUND.....	3-1
3.1 FOUNDATION EQUATIONS.....	3-1
3.2 DETAILED SPACECRAFT SIGNAL STRUCTURE.....	3-7
3.3 DELTA-DOR AS A NAVIGATION TECHNIQUE.....	3-11
3.4 THE DELTA-DOR ERROR BUDGET.....	3-11
4 SYSTEM RATIONALE AND TRADE-OFFS.....	4-1
4.1 DEFINITION OF PARAMETERS USED IN DELTA-DOR TRADE-OFFS.....	4-1
4.2 TRADE-OFF ON SPACECRAFT TONE POWER.....	4-6
4.3 SYSTEM TRADE-OFF ON CURRENTLY ACHIEVABLE PERFORMANCE.....	4-8
4.4 THE ACHIEVABLE PERFORMANCE.....	4-10
5 DESCRIPTION OF EXISTING SYSTEMS.....	5-1
5.1 THE NASA SYSTEM.....	5-1
5.2 THE ESA SYSTEM.....	5-4
5.3 THE JAXA SYSTEM.....	5-7
ANNEX A ABBREVIATIONS AND ACRONYMS.....	A-1

CONTENTS (continued)

<u>Figure</u>	<u>Page</u>
2-1 Delta-DOR Observation Geometry	2-1
2-2 Block Diagram of Major Components of Delta-DOR System	2-4
3-1 VLBI Geometry for Two Receivers and One Radio Source	3-1
3-2 Differential VLBI Geometry for Two Receivers and Two Radio Sources	3-2
3-3 Downlink Tone Spectrum and Coincident VLBI Channels	3-3
3-4 Delta-DOR Error Budget for X-Band Including Random and Systematic Effects (1 Sigma).....	3-23
4-1 Estimated Delta-DOR Performance, 1 Sigma, at X-Band As a Function of Spacecraft-Quasar Separation Angle	4-10
4-2 Estimated Delta-DOR Performance, 1 Sigma, at Ka-Band As a Function of Spacecraft-Quasar Separation Angle	4-13
5-1 Simplified Block Diagram of Delta-DOR Back-End System in the NASA Deep Space Network.....	5-3
5-2 Simplified Block Diagram of Delta-DOR Back-End System (from DC Stages to Baseband) in the ESA Deep Space Network.....	5-6
5-3 Simplified Block Diagram of Delta-DOR Back-End System in the JAXA Stations ...	5-9

Table

3-1 Nominal Parameter Values [Typical NASA Case] for Evaluation of Δ DOR Error Budget	3-21
3-2 Delta-DOR Error Budget (1 Sigma)—Both Random and Systematic Effects	3-24
3-3 Delta-DOR Error Budget (1 Sigma)—Random Effects Only	3-24
3-4 Delta-DOR Error Budget (1 Sigma)—Systematic Effects Only	3-25
4-1 Dependence of Delay Precision and Accuracy on Spacecraft Signal Parameters: High Performance Case	4-7
4-2 Dependence of Delay Precision and Accuracy on Spacecraft Signal Parameters: Low Gain Antenna Case.....	4-7
4-3 Dependence of Delay Precision and Accuracy on Spacecraft Signal Parameters: No DOR Tone or Low Frequency DOR Tone Case.....	4-8
4-4 Nominal Parameter Values for Evaluation of Δ DOR Trade-Offs	4-8
5-1 Functional Specifications for the NASA Delta-DOR System.....	5-2
5-2 Functional Specifications for the ESA Delta-DOR System	5-5
5-3 Functional Specifications for the JAXA Delta-DOR System (Usuda Station)	5-8

1 INTRODUCTION

1.1 PURPOSE AND SCOPE

This Informational Report describes the theoretical aspects of and discusses trade-offs and system performance for the navigation technique known as Delta Differential One-Way Ranging ('Delta-DOR' or ' Δ DOR'). It has been developed via consensus of the Delta-DOR Working Group of the CCSDS Systems Engineering Area (SEA). Tracking data including Delta-DOR may be exchanged between CCSDS Member Agencies during cross support of space missions.

Delta-DOR is a technique, derived from Very Long Baseline Interferometry (VLBI), that can be used in conjunction with Doppler and ranging data to improve spacecraft navigation by more efficiently determining spacecraft angular position in the plane of sky. The establishment of interoperability for acquiring and processing Delta-DOR data at ground stations of different agencies, the standardization of service requests for Delta-DOR, the standardization of an exchange format for raw data, and standardization of interfaces for exchange of supporting products are key enablers for interagency execution of Delta-DOR operations. The interfaces relevant for interagency Delta-DOR and the supporting CCSDS standards are discussed in 2.6.

Conventions and definitions of Delta-DOR concepts are provided in this report. A detailed description of the Delta-DOR technique is provided, including guidelines for DOR tone spectra, guidelines for selecting reference sources, applicable foundation equations, and a discussion of error sources and measurement accuracy.

1.2 APPLICABILITY

Delta-DOR operations are applicable to space agencies that operate deep space missions that require accurate determination of the spacecraft position in the plane of the sky. Accurate position determinations are often needed in critical mission phases such as planetary encounters and flybys. For operations where these requirements do not capture the needs of the participating agencies, Delta-DOR operations may not be appropriate.

1.3 COMMON DELTA-DOR TERMINOLOGY

Part of the standardization process involves the determination of common interagency terminology. The following terminology is used in this informational report and in related Delta-DOR standards.

Term	Meaning
baseline	The vector joining two tracking stations
channel	A slice of the frequency spectrum that contains a spacecraft or quasar signal

CCSDS REPORT CONCERNING DELTA-DOR—
TECHNICAL CHARACTERISTICS AND PERFORMANCE

Term	Meaning
scan	An observation of a radio source, typical duration of a few minutes
session	The time period of the Delta-DOR measurement including several scans
spanned bandwidth	The widest separation between downlink signal components
DOR Tone	Tone generated by a spacecraft for purpose of enabling Delta-DOR measurement; more generally, any spacecraft signal component used for Delta-DOR
P_T/N_0	Total power to noise spectral density ratio
P_{Tone}/N_0	Tone power to noise spectral density ratio
G/T	Ratio of antenna gain to system noise temperature
meteo data	Meteorological data (consists of pressure, temperature, relative humidity)

1.4 STRUCTURE OF THIS DOCUMENT

In addition to this section, this document contains the following sections and annex:

- Section 2 provides a general overview of the Delta-DOR technique.
- Section 3 provides a theoretical background for the technique.
- Section 4 describes system rationale and trade-offs.
- Section 5 provides descriptions of existing systems.
- Annex A is a list of abbreviations and acronyms applicable to Delta-DOR.

1.5 REFERENCES

The following documents are referenced in this Report. At the time of publication, the editions indicated were valid. All documents are subject to revision, and users of this Report are encouraged to investigate the possibility of applying the most recent editions of the documents indicated below. The CCSDS Secretariat maintains a register of currently valid CCSDS documents.

- [1] A. Richard Thompson, James M. Moran, and George W. Swenson, Jr. *Interferometry and Synthesis in Radio Astronomy*. 2nd ed. Hoboken, N.J.: Wiley, 2001.
- [2] A. E. E. Rogers. “Very-Long-Baseline Interferometry with Large Effective Bandwidth for Phase-Delay Measurements.” *Radio Science* 5, no. 10 (Oct. 1970): 1239–1247.

CCSDS REPORT CONCERNING DELTA-DOR—
TECHNICAL CHARACTERISTICS AND PERFORMANCE

- [3] Theodore D. Moyer. *Formulation for Observed and Computed Values of Deep Space Network Data Types for Navigation*. JPL Deep-Space Communications and Navigation Series. Joseph H. Yuen, Series Editor. Hoboken, N.J.: Wiley, 2003.
- [4] *IERS Conventions (2003)*. Edited by Dennis D. McCarthy and Gérard Petit. IERS Technical Note No. 32. Frankfurt am Main, Germany: Bundesamt für Kartographie und Geodäsie, 2004.
- [5] *Radio Frequency and Modulation Systems—Part 1: Earth Stations and Spacecraft*. Recommendation for Space Data System Standards, CCSDS 401.0-B-22. Blue Book. Issue 22. Washington, D.C.: CCSDS, January 2013.
- [6] *X-Band Radio Source Catalog*. Module 107B in *DSN Telecommunications Link Design Handbook*. DSN No. 810-005, Rev. E. Pasadena California: JPL, April 8, 2013.
- [7] *Navigation Data—Definitions and Conventions*. Report Concerning Space Data System Standards, CCSDS 500.0-G-3. Green Book. Issue 3. Washington, D.C.: CCSDS, May 2010.
- [8] John A. Klobuchar. *A First-Order, Worldwide, Ionospheric, Time-Delay Algorithm*. Air Force Surveys in Geophysics, AFCRL-TR-75-0502. Hanscom AFB, Massachusetts: Ionospheric Physics Laboratory, Air Force Cambridge Research Laboratories, 1975.

NOTE – The relevant material in this reference can also be found in Section 10.3 of reference [3].

- [9] P. S. Callahan. “An Analysis of Viking S-X Doppler Measurements of Solar Wind Columnar Content Fluctuations.” *DSN Progress Report* 42-44, January-February 1978 (April 15, 1978): 75–81.
- [10] C. Ma, et al. “The International Celestial Reference Frame as Realized by Very Long Baseline Interferometry.” *AJ* 116, no. 1 (July 1998): 516–546.
- [11] *Delta-Differential One Way Ranging (Delta-DOR) Operations*. Recommendation for Space Data System Practices, CCSDS 506.0-M-1. Magenta Book. Issue 1. Washington, D.C.: CCSDS, April 2011.
- [12] *Delta Differential One-way Ranging*. Module 210 in *DSN Telecommunications Link Design Handbook*. DSN No. 810-005, Rev. E. Pasadena California: JPL, April 8, 2013.

NOTE – Currently this reference only describes the VSR. It will be updated to describe WWSR also.

- [13] *Delta-DOR Raw Data Exchange Format*. Draft Recommendation for Space Data System Standards, CCSDS 506.1-R-2. Red Book. Issue 2. Washington, D.C.: CCSDS, July 2012.

- [14] W. Majid and D. Bagri. “Availability of Calibration Sources for Measuring Spacecraft Angular Position with Sub-Nanoradian Accuracy.” *IPN Progress Report* 42-165 (May 15, 2006).
- [15] J. M. Wrobel, et al. “Faint Radio Sources in the NOAO Boötes Field: VLBA Imaging and Optical Identifications.” *AJ* 130, no. 3 (Sep. 2005): 923–935.
- [16] A. J. Beasley, et al. “The VLBA Calibrator Survey—VCS1.” *ApJS* 141, no. 1 (July 2002): 13–21.
- [17] D. Morabito, R. Clauss, and M. Speranza. “Ka-Band Atmospheric Noise-Temperature Measurements at Goldstone, California, Using a 34-Meter Beam-Waveguide Antenna.” *TDA Progress Report* 42-132, October-December 1997 (February 15, 1998): 1–20.
- [18] *34-m BWG Stations Telecommunications Interfaces*. Module 104G in *DSN Telecommunications Link Design Handbook*. DSN No. 810-005, Rev. E. Pasadena California: JPL, April 8, 2013.
- [19] *Atmospheric and Environmental Effects*. Module 105D in *DSN Telecommunications Link Design Handbook*. DSN No. 810-005, Rev. E. Pasadena California: JPL, April 8, 2013.
- [20] G. E. Lanyi, et al. “The Celestial Reference Frame at 24 and 43 GHz. I. Astrometry.” *AJ* 139, no. 5 (May 2010): 1695–1712.
- [21] P. Charlot, et al. “The Celestial Reference Frame at 24 and 43 GHz. II. Imaging.” *AJ* 139, no. 5 (May 2010): 1713–1770.
- [22] “VLBI Standard Interface (VSI).” VLBI Standards & Resources Website. <http://vlbi.org/vsi/>.
- [23] “Assignment of Differential One-Way Ranging Tone Frequencies for Category B Missions.” In *Handbook of the Space Frequency Coordination Group*, Recommendation SFCG 23-2, 25 September, 2003. Noordwijk, The Netherlands: SFCG, 2012.
- [24] “Use of Differential One Way Ranging Tones in the 8400-8450 MHz Band for Category-B SRS Missions.” In *Handbook of the Space Frequency Coordination Group*, Recommendation SFCG 30-1, 14 July, 2010. Noordwijk, The Netherlands: SFCG, 2012.
- [25] *Space Communication Cross Support—Service Management—Service Specification*. Recommendation for Space Data System Standards, CCSDS 910.11-B-1. Blue Book. Issue 1. Washington, D.C.: CCSDS, August 2009.
- [26] *Tracking Data Message*. Recommendation for Space Data System Standards, CCSDS 503.0-B-1. Blue Book. Issue 1. Washington, D.C.: CCSDS, November 2007.
- [27] *Orbit Data Messages*. Recommendation for Space Data System Standards, CCSDS 502.0-B-2. Blue Book. Issue 2. Washington, D.C.: CCSDS, November 2009.

2 OVERVIEW OF THE DELTA-DOR TECHNIQUE

2.1 SPACECRAFT AND QUASAR OBSERVATIONS

Very Long Baseline Interferometry is a technique that allows determination of angular position for distant radio sources by measuring the geometric time delay between received radio signals at two geographically separated stations. The observed time delay is a function of the known baseline vector joining the two radio antennas and the direction to the radio source.

An application of VLBI is spacecraft navigation in space missions where delay measurements of a spacecraft radio signal are compared against similar delay measurements of angularly nearby quasar radio signals. In the case where the spacecraft measurements are obtained from the phases of tones emitted from the spacecraft, first detected separately at each station, and then differenced, this application of VLBI is known as Delta Differential One-Way Ranging. The observation geometry is illustrated in figure 2-1. Even though data acquisition and processing are not identical for the spacecraft and quasar, both types of measurements can be interpreted as delay measurements and they have similar information content and similar sensitivity to sources of error. The data produced in such a measurement session are complementary to Doppler and ranging data.

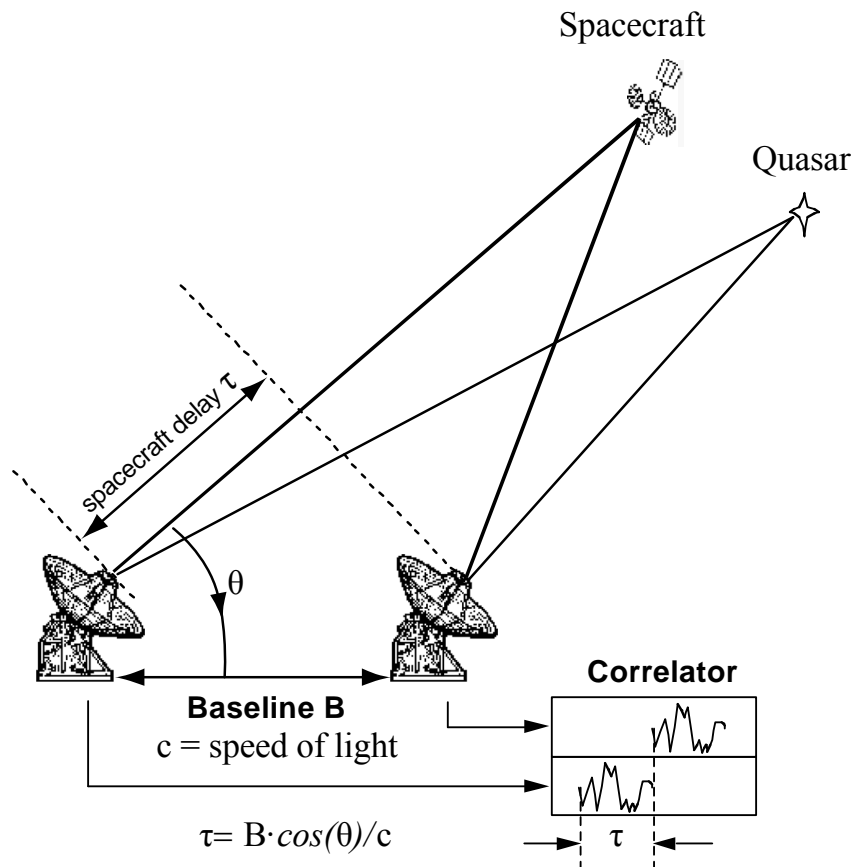


Figure 2-1: Delta-DOR Observation Geometry

To enable a Delta-DOR measurement, a spacecraft must emit several tones or other signal components spanning at least a few MHz. The characteristics of the tones are selected based on the requirements for phase ambiguity resolution, measurement accuracy, efficient use of spacecraft signal power, efficient use of ground tracking resources, and the frequency allocation for space research.

The Delta-DOR technique requires that spacecraft be tracked simultaneously at two distinct radio antennas. A quasar must also be tracked simultaneously just before and/or after the spacecraft observation. Thus a viewing overlap between the two antenna complexes is required; the degree of overlap varies for each pair of antenna complexes, is dependent upon the relative station locations, and depends on spacecraft declination.

2.2 THE MEASUREMENT OF SPACECRAFT AND QUASAR SIGNALS

Data acquisition must first be coordinated between stations; it then occurs independently at each station. Data are recorded using an open loop receiver at each station and sent to a common correlator facility for processing. It is generally not practical to transfer and correlate data in real time when stations are widely separated, as is the case for Delta-DOR. Data must be recorded in selected frequency channels that include signals received from the spacecraft. Generally three or more channels spanning at least a few MHz are recorded. Data from the quasar(s) must also be recorded in similar channels. The recording is of the voltage of the received electromagnetic signal from the antenna feed, after downconversion and filtering.

The spacecraft delay is obtained in this application by first making a one-way range measurement at each station. The one-way range is determined for a single station by extracting the phases of two or more emitted signals. The signals emitted for this purpose are referred to as DOR tones. A Differential One-way Range (DOR) observable is generated by subtracting the one-way range measurements from two stations at a common reception time. While each one-way range measurement is affected by the unknown offset in the spacecraft clock, the station differencing eliminates this effect. However, DOR measurements are still biased by ground station clock offsets and instrumental delays. DOR measurements are quite similar technically to interferometric delay measurements and, when convenient, are referred to in this document as spacecraft delay measurements.

For measuring the quasar, each station is configured to acquire data from it in frequency channels centered on the spacecraft tone frequencies. This receiver configuration choice ensures that the spacecraft-quasar differencing eliminates the effects of ground station clock offsets and instrumental delays. By selecting a quasar that is close in an angular sense to the spacecraft, and by observing the quasar at nearly the same time as the spacecraft, the effects of errors in the modeled station locations, Earth orientation, and transmission media delays are also diminished.

2.3 OBSERVATION SEQUENCES

Normally, a Delta-DOR pass consists of three or more scans of data recording, each of a few minutes duration. A scan consists of pointing the antennas to one radio source and recording the signal. The antennas must slew to another radio source for the next scan, and so on. The observing sequence is spacecraft-quasar-spacecraft, quasar-spacecraft-quasar, or a longer sequence of alternating observations, depending on the characteristics of the radio sources and the objectives of the measurement session. A minimum of three scans is required to eliminate clock-epoch and clock-rate offsets and then measure spacecraft angular position. Normally a three-scan sequence is repeated several times. Once collected, the received signals are brought to a common site and correlated. The observed quantity in a Delta-DOR observation is time delay for each radio source.

2.4 OBSERVABLE MODELING

In navigation processing, the delay or DOR observable is modeled for each scan of each radio source. The measured observable depends on both geometric factors and on delays introduced by transmission media. Meteo data are provided from each tracking site so that, possibly in conjunction with other data such as Global Positioning System (GPS) measurements, corrections can be computed to account for tropospheric and ionospheric path delays. The modeled or ‘computed’ observable is based on a nominal spacecraft trajectory, geometric parameters, and available calibrations for tropospheric and ionospheric delays. Residuals are formed by subtracting the computed observables from the measured time delay values. The ‘Delta’ between spacecraft and quasar observations is generated internal to the navigation processing by subtracting residual values of quasar observations from residual values of spacecraft observations. These data are used in conjunction with other data to solve for a correction to the spacecraft trajectory.

2.5 DELTA-DOR REQUIREMENTS ON SPACE AND GROUND INFRASTRUCTURE

Because each Delta-DOR measurement requires the use of two antennas, and navigation accuracy is improved by baseline diversity, this technique is highly conducive to interagency cooperation. Measurements from two baselines are required to determine both components of angular position, with orthogonal baselines providing the best two-dimensional coverage. While most agencies do not have enough station complexes to provide orthogonal baselines by themselves, the existing assets of more than one agency today could provide two or more pairs of angularly separated baselines and good geometric coverage for missions throughout the ecliptic plane. Stations from different agencies can be used as Delta-DOR data collectors for navigation purposes, assuming that the infrastructure has been laid to facilitate such cooperation.

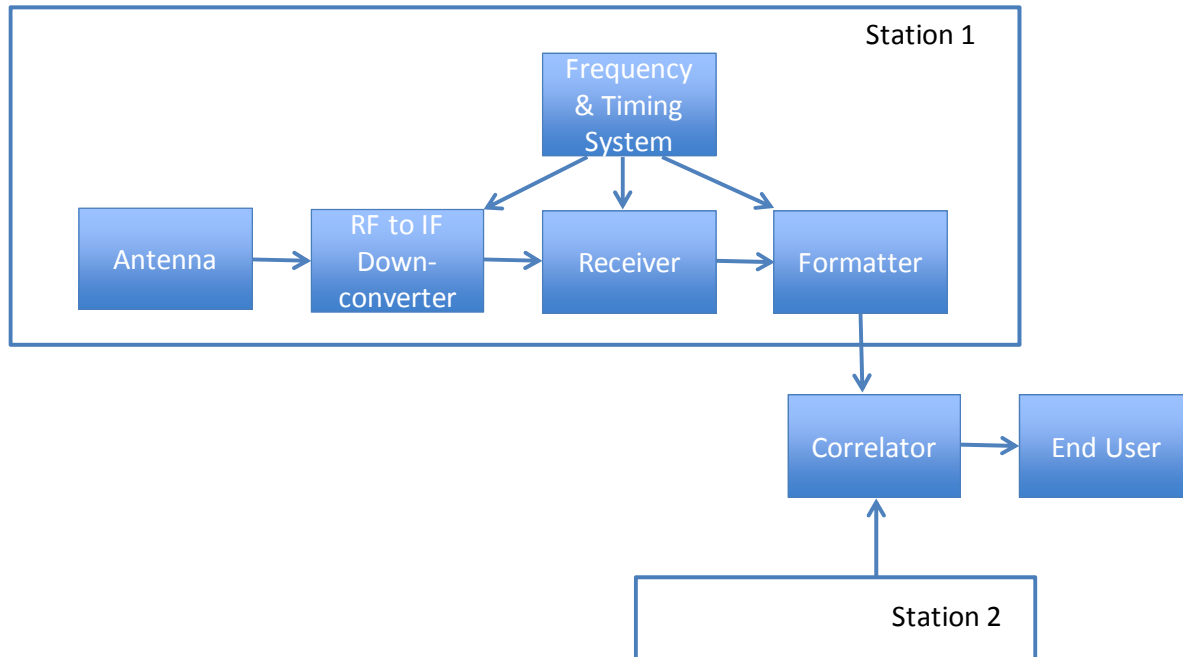


Figure 2-2: Block Diagram of Major Components of Delta-DOR Ground System

The major components of a Delta-DOR ground system are shown in figure 2-2. Signals are received by an antenna, processed through ground station electronics, and recorded in digital format. Data from two or more stations are sent to a common correlator facility where time delay observables are derived. The observables are passed on to an end user. The required interfaces are discussed in the 2.6.

While natural radio sources generate broadband signals to enable such a measurement, the spacecraft transponder must also include the specific capability to emit signals spanning a wide bandwidth. Requirements on spacecraft signal structure are given in the Radio Frequency and Modulation Systems standard (reference [5]).

Received signals are typically weak, because of the limited power available for spacecraft transmissions and the vast distances to the quasars. Therefore large antennas with good sensitivity are necessary for data acquisition. Precise clocks and stable frequency distribution must be used within a station to avoid degradation of time delay measurements. The station coordinates must be well known, and media delays for received signals must be well calibrated. Because of the signal weakness, and in order not to introduce unwanted delays or phase instabilities, it is necessary for the signal path from front end to control room to be well known and stable.

Good knowledge of timing and high frequency stability have been and are enabling capabilities for radio interferometric systems with components separated by large distances. Generally, the level of stability provided by a Hydrogen Maser is necessary to support these measurements.

An open loop recording system must be used, at least for signals from natural radio sources, since the received noise cannot be modeled or compressed. A large data volume must be recorded to build sensitivity for weak quasar signals. This large data volume must then be transferred, from each station, to the common correlator site. A typical data volume may be 10 GBytes at each station, though this could vary quite a bit depending on circumstance. The ability to transfer data volumes of this size rapidly may be needed in support of time critical navigation events. A high speed network connection is generally used to meet latency requirements. The correlator output is provided to the end user that is usually a flight dynamics team.

Data are recorded in multiple frequency channels, centered on the received frequencies of spacecraft tones. There are three different parameters related to bandwidth involved, and performance generally improves as each of these parameters is increased:

- a) the single frequency channel, which has a bandwidth typically in the range of 2 to 8 MHz for quasar signals;
- b) the data sampling rate for a recorder, which is the product of the channel bandwidth times 2 (for Nyquist sampling) times the number of bits per sample times the number of channels (a given recorder will have a maximum sample rate, so selection of channels will be constrained);
- c) the spanned bandwidth, which is the frequency separation between the two widest spaced channels.

A correlator facility is needed for processing of data. This basically consists of a computer server, high speed network connection, and application software for data correlation.

Conceptually, for the best performance, a spacecraft would transmit a signal that filled the largest possible band, and each station would record the full band. But this is not practical, or even allowable, for several different reasons. Much of the rest of this report provides trade-offs and analysis toward achieving high performance given constraints on bandwidth.

2.6 DELTA-DOR INTERFACES

The high-level Delta-DOR data flow below shows various interfaces (numbered 1 through 7 in figure 2-3) where standardization is beneficial in terms of establishing interoperability. Figure 2-3 also shows the functions that must be performed by one or more Agency.

In general, an interface exists or is defined to cover the necessary parameters at each stage of the data flow. During data acquisition, radio source signals that arrive at an antenna are detected by a receiver (Rx), and then stored at the site. Next, data from at least two sites are transferred to a central location and correlated to generate observables. Finally, uncalibrated reduced data (i.e., time delay observables) and meteo data to be used to calibrate path delays through transmission media provided to the Orbit Determination.

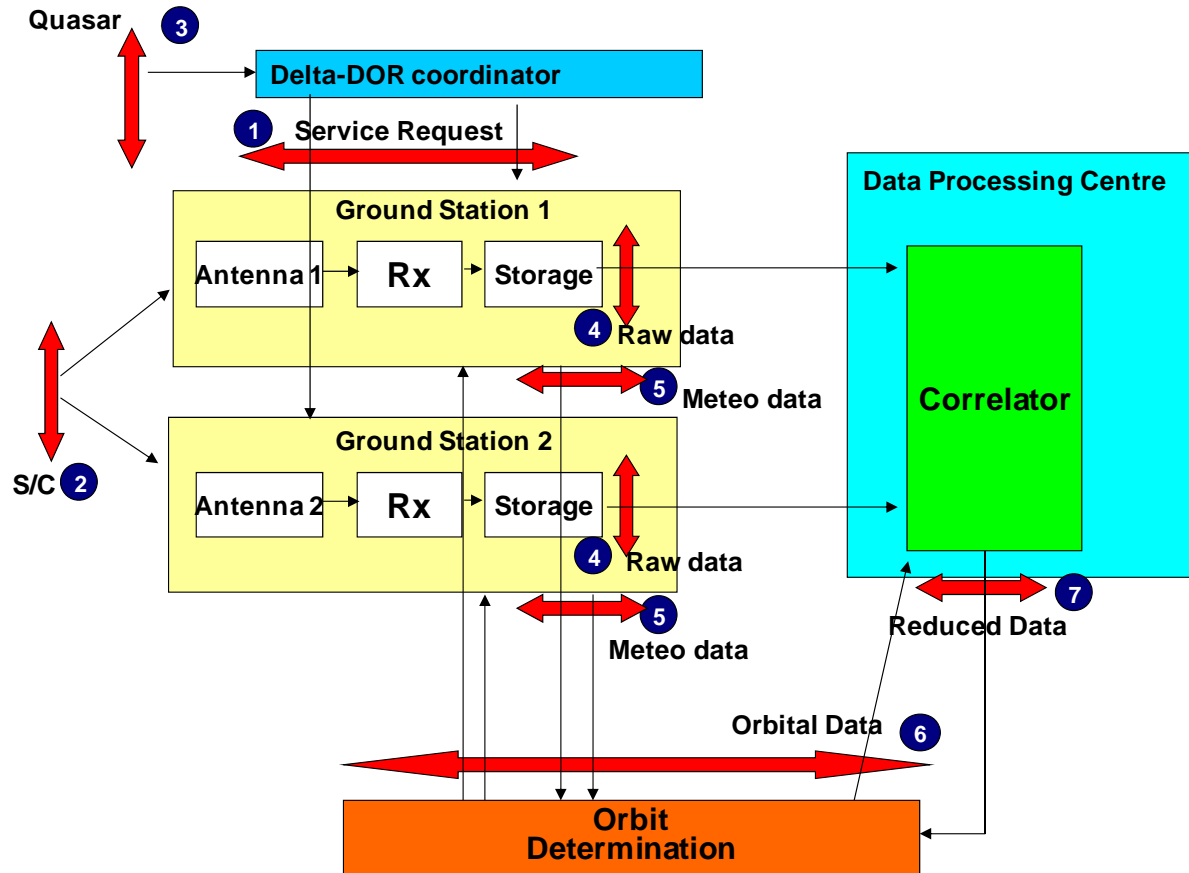


Figure 2-3: High-Level Delta-DOR Flow

With reference to figure 2-3 the following interfaces can be defined:

- IF-1: Service Request, including observation schedule and sequence. This interface is defined in reference [11] and will be more formally provided in a future update to reference [25].
- IF-2: DOR signal for S/C tracking. This interface is defined in reference [5].
- IF-3: quasar catalogue for Delta-DOR (reference [6]). The catalogue provides quasar coordinates and flux that are used for measurement planning.
- IF-4: exchange format for raw Delta-DOR data. This interface is being standardized in reference [13] and may differ from the native format used for raw data by an Agency.
- IF-5: meteo data. Meteo data may include information on temperature, pressure, relative humidity, and ionospheric delay. This interface is defined by the Tracking Data Message (TDM—reference [26]).
- IF-6: orbital data. These data are used at all stations to define antenna pointing during data acquisition and received frequency predictions. These data are also input to the

CCSDS REPORT CONCERNING DELTA-DOR—
TECHNICAL CHARACTERISTICS AND PERFORMANCE

Delta-DOR correlator. This input relies on the S/C orbit prediction, and therefore information is exchanged among agencies via Orbit Ephemeris Message (OEM) products (reference [27]).

- IF-7: reduced data. These are the products of the Delta-DOR, which normally consist in S/C DOR, quasar DOR, and clock bias. This interface is defined by the Tracking Data Message (TDM—reference [26]).

3 THEORETICAL BACKGROUND

3.1 FOUNDATION EQUATIONS

3.1.1 VLBI

The technique of radio interferometry is well described in reference [1], including VLBI. In VLBI, signals from a distant radio source arrive at two widely separated receivers at slightly different times. The difference in time of arrival is measured to determine the angle between the baseline vector joining the two receivers and the direction to the radio source. The VLBI geometry is shown in figure 3-1, where the baseline vector \vec{B} goes from receiver 1 to receiver 2, and the direction to the radio source is \hat{s} . The delay from receiver 1 to receiver 2 is given approximately by

$$\tau \approx -\frac{1}{c} \vec{B} \cdot \hat{s} = -\frac{1}{c} B \cos \theta \quad (1)$$

where B is the baseline length and θ is the angle between the baseline and the direction to the radio source.

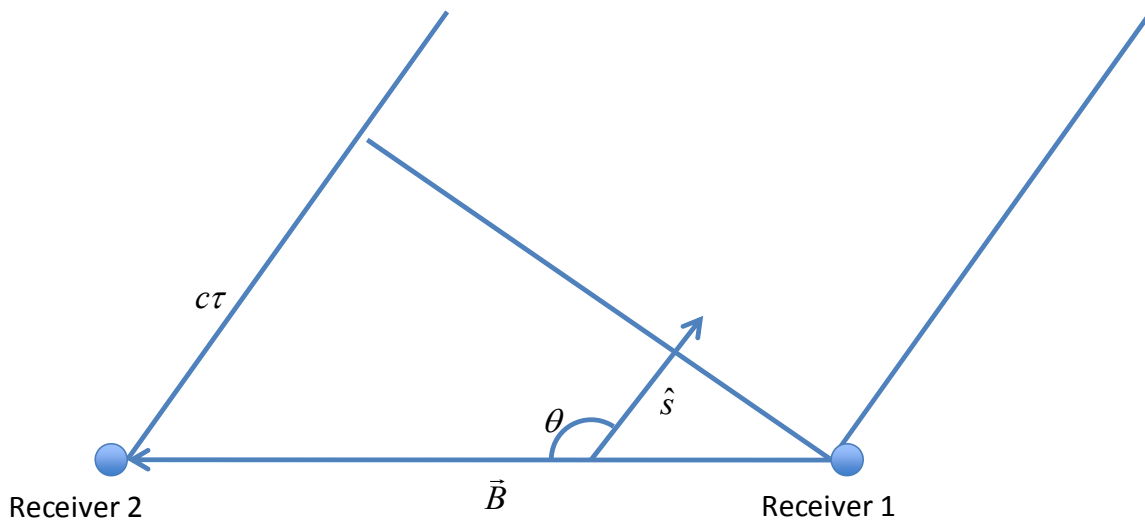


Figure 3-1: VLBI Geometry for Two Receivers and One Radio Source

3.1.2 DIFFERENTIAL VLBI

Since VLBI instruments are large systems, perhaps spanning continents, it is difficult to maintain system-level calibrations. For this reason differential VLBI, where two radio sources are observed and the angular offset between sources is measured, is a more useful data type for navigation purposes. The differential VLBI geometry is shown in figure 3-2, where the direction to the radio source 1 is \hat{s}_1 and the direction to the radio source 2 is \hat{s}_2 . The differential delay between source 1 and source 2 is given approximately by

$$\Delta\tau = \tau_1 - \tau_2 \approx -\frac{1}{c}\vec{B} \bullet (\hat{s}_1 - \hat{s}_2) \approx -\frac{1}{c}B \sin\theta_1(\theta_1 - \theta_2) = -\frac{1}{c}B \sin\theta_1(\Delta\theta_B) \quad (2)$$

where $\Delta\theta_B = \theta_1 - \theta_2$ is the component of the angular separation between the two radio sources that is in the direction of the baseline. Measurements along two independent baselines are needed to determine both components of angular position. The full angular separation between radio sources is denoted as $\Delta\theta$. The accuracy of the determination of $\Delta\theta_B$ from equation (2) improves as the measurement error in the observable $\Delta\tau$ decreases. Further, $\Delta\theta_B$ accuracy improves as the baseline length B increases. In addition, key terms in the error budget presented in 3.4 show that the accuracy in measurement of the observable $\Delta\tau$ improves as the spanned bandwidth f_{BW} increases (see equations (20), (23), and (25)), and $\Delta\tau$ accuracy improves as the angle $\Delta\theta$ between radio sources decreases (see equations (26)-(30)). Combining these relations and taking partial derivatives provides an expression for the dependence of the accuracy of angular offset determination on the most important system parameters:

$$\sigma_{\Delta\theta_B} \propto \frac{\Delta\theta}{f_{BW}B} \quad (3)$$

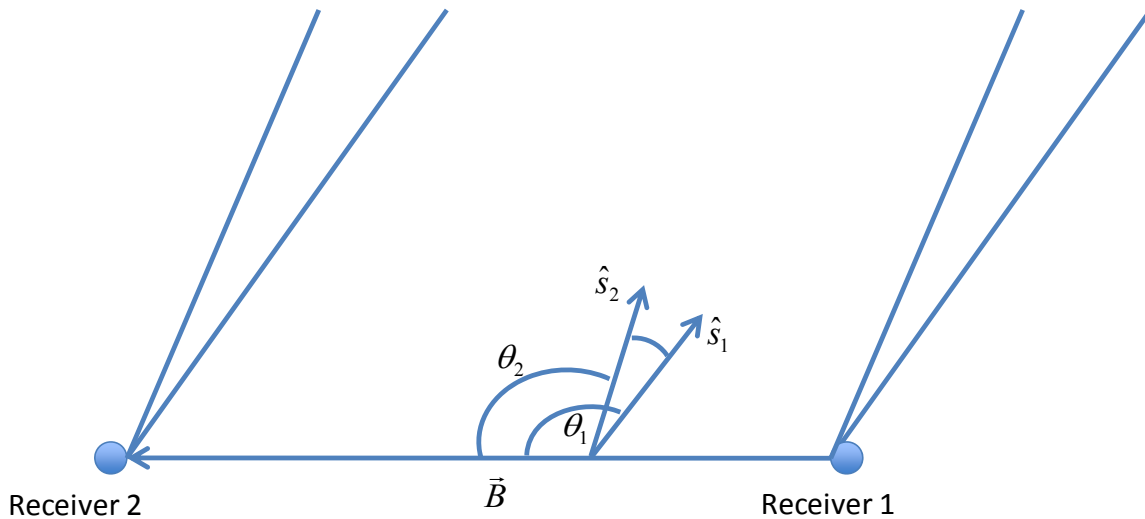


Figure 3-2: Differential VLBI Geometry for Two Receivers and Two Radio Sources

3.1.3 DELTA-DOR

3.1.3.1 General

Delta-DOR is a specific application of differential VLBI to spacecraft tracking. In Δ DOR an interferometric measurement of a quasar with known coordinates (or an average of several quasar measurements) is subtracted from a differential range measurement of a spacecraft.

Both of these measurement types are commonly referred to as delays. The measurement system is configured so that these two types of observations will have nearly the same sensitivity to key error sources. The result of a Δ DOR measurement is knowledge of the spacecraft angular position in the inertial reference frame defined by the quasars.

Channels of the Radio Frequency (RF) spectrum are recorded during Delta-DOR observations. Channels are centered on the received frequencies of spacecraft tones. The channel sampling rate must be high enough to reduce thermal noise errors to an acceptable level (see equations (19) and (20)). An example is given in figure 3-3. The bandwidth synthesis technique (reference [2]) is used to generate a group delay from phase measurements in each of several channels. The two outermost channels have the most strength to determine the delay observable. The frequency separation between the two outermost channels is referred to as the spanned bandwidth. Inner channels are used primarily to resolve the integer cycle phase ambiguity in the observed signals. The spacecraft delay is based on phase measurements of discrete tones in the downlink spectrum. Channels for recording quasar signals are centered on the received frequencies of the spacecraft tones.

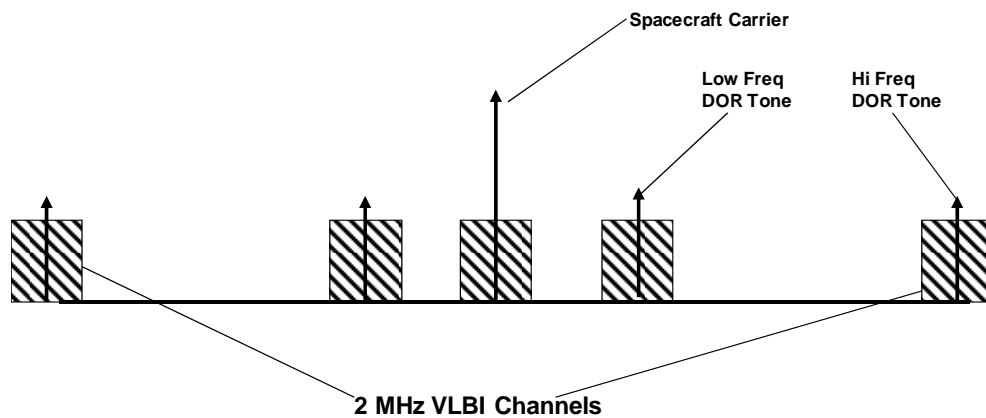


Figure 3-3: Downlink Tone Spectrum and Coincident VLBI Channels

3.1.3.2 Observable Modeling

In the navigation process, multiple Delta-DOR measurements are commonly combined with line-of-sight Doppler and range measurements to allow determination of three-dimensional spacecraft state. A model for the spacecraft trajectory (based on earlier information) must be available to start the processing of newly acquired data. The navigation process uses modeling to compare measured quantities with model values, and then uses filtering to update the model so that it better agrees with the data. Measurements such as spacecraft delay are referred to as ‘observed’ observables. A model value for a measurement is based on the model spacecraft trajectory and existing models for other geometric and propagation parameters. A model value corresponding to a measurement is referred to as a ‘computed’ observable. The reader should refer to 3.3 of this document and to reference [7] for more information on the navigation process.

In navigation processing, to begin, each spacecraft and quasar measurement is processed individually. The observed observable depends on actual geometric factors and on actual delays introduced by transmission media. The computed observable is based on model values for geometric parameters and available calibrations for tropospheric and ionospheric delays. Meteorological data are normally provided from each tracking site so that, possibly in conjunction with other data such as GPS measurements, calibrations can be computed to account for tropospheric and ionospheric path delays. The observed observables for the spacecraft and quasar are defined by equations (6) and (8), respectively. The computed observables for the spacecraft and quasar are defined by equations (5) and (7), respectively.

Residuals are formed by subtracting the computed observables from the observed observables. For each Delta-DOR session, the ‘Delta’ between spacecraft and quasar observations is generated internal to the navigation processing by subtracting residual values of quasar observations from residual values of spacecraft observations. Normally, for a quasar-spacecraft-quasar sequence, quasar measurement residuals are interpolated to the time of a spacecraft measurement residual to form the Delta. Similarly, for a spacecraft-quasar-spacecraft sequence, spacecraft measurement residuals are interpolated to the time of a quasar measurement residual to form the Delta. Several distinct Delta-DOR residuals may be generated in this fashion from a tracking pass with multiple spacecraft and quasar observations. Alternatively, it is possible for navigation processing to estimate station clock epoch and rate parameters, and do implicit differencing using all separate time delays, rather than do explicit differencing.

The following subsections provide definitions of the spacecraft and quasar observables.

3.1.3.3 Computed Differential One-way Range

The notation used in reference [3] is followed here. One-way range ρ_i (s) from a spacecraft to receiver i is defined as

$$\rho_i(t_3(ST)) = t_3(ST) - t_2(TAI) \text{ s} \quad (4)$$

where $t_3(ST)$ is the time of signal arrival at the receiver as reported by the station clock and $t_2(TAI)$ is the time of signal emission as reported by an ideal atomic clock in the spacecraft rest frame. The time-tag for the measurement is $t_3(ST)$. The computed value of differential one-way range between receiver 1 and receiver 2 is defined as

$$\tau_{SC}^C = \Delta\rho(t_3(ST)) = \rho_2(t_3(ST)) - \rho_1(t_3(ST)) \text{ s} \quad (5)$$

where ρ_2 is the one-way range at station 2 at time $t_3(ST)$ as reported by the station 2 clock and ρ_1 is the one-way range at station 1 at the same time $t_3(ST)$ as reported by the station 1 clock. The time-tag for the measurement is $t_3(ST)$. It should be noted that the superscript ‘C’ on the observable denotes this as the computed observable.

The spacecraft differential range is defined for signals received at the same time t_3 at each of two tracking stations. However, by combining equations (4) and (5), it can be shown that the spacecraft differential range is equal to the delay δt_2 in transmission time, in the spacecraft rest frame, for the signals that arrive at the two stations at common time t_3 . Hence the spacecraft differential range is commonly referred to as a time delay.

NOTE – Measurements of differential range between receivers can also be made if the ranging signal is uplinked from a transmitter and then transponded by a spacecraft (reference [3]). In this case, one-way range is replaced by round-trip range in the definition.

3.1.3.4 Observed Differential One-way Range

The phase of a received spacecraft tone is measured, relative to the phase of the station clock. There are several downconversion steps, from RF to baseband, before the measurement is made. A model of the downconverter phase is restored by the processing software, so that the measurement may be considered to be a measurement of RF phase. A spacecraft tone phase measurement is made for each of two stations. The phase is measured at a common Earth receive time, as read from the local clock at each station, of $t_3(ST)$. The signals received at the two stations at time $t_3(ST)$ will in general have been transmitted at different times by the spacecraft. This convention distinguishes spacecraft differential range measurements from the interferometric delay observable used for quasars.

A spacecraft phase measurement is made for each of two tones in the downlink spectrum, and for each of two stations, at common Earth receive time $t_3(ST)$. With ϕ_j^i denoting the measured phase, for tone j , at station i , an estimate is made of the transmitter frequency at the time of signal transmission. If the measurement is of type one-way (DOR tones from onboard oscillator or harmonics of independent subcarrier), then the onboard oscillator (or subcarrier) frequency is estimated, in the spacecraft rest frame, as one-way light time before $t_3(ST)$. (The actual time used is the average of the spacecraft transmit times for the two stations.) One-way Doppler collected by the station at the time of the measurement is used with existing spacecraft trajectory predicts to make this estimate. The estimated transmitter frequency for tone j is denoted as f_j . Next, the observed value of differential range, also known as delay, is calculated as

$$\tau_{sc}^o = \frac{(\phi_2^1 - \phi_2^2) - (\phi_1^1 - \phi_1^2)}{f_2 - f_1} \text{ s} \quad (6)$$

Given that phase has units of cycles, and frequency has units of Hz, the delay has units of seconds. The time-tag for the measurement is $t_3(ST)$. It should be noted that the superscript ‘O’ on the observable denotes this as the observed observable. The deviation of

Station Time from Universal Time Coordinated (UTC) and an instrumental delay from the station front end electronics to the recorder system are modeled separately for each station.

The spacecraft delay is defined using this convention for two reasons. First, measurement of the phase of discrete components in the spacecraft downlink spectrum, locally at each station, is more efficient and more precise than cross-correlation. Second, integer cycle phase ambiguities may be resolved in an analogous manner to resolution of spacecraft range code ambiguities.

If the measurement is of type 2-way (DOR tones coherent with an uplink or uplinked range tones), then the meaning of f_j changes. Now f_j is the ground transmitter frequency at the uplink station, for tone j , at a round-trip light time prior to $t_3(ST)$. (The actual time used is the average of the ground transmit times for the two stations.) No estimate is needed here, except for the round-trip light time. The actual transmitter frequency at the uplink station is used. A scale factor is applied to the RF transmitter frequency to get the tone component frequency. The meaning of ϕ_j^i does not change. Equation (6) is used again to compute observed delay from phase. Equation (6) is the same as equations (13-132) in reference [3].

3.1.3.5 Computed Quasar Interferometric Delay

The notation used in reference [3] is followed here. A natural radio source emits a signal and a wavefront propagates towards two receivers. The signal wavefront arrives at receiver 1 at time $t_3(ST_1)$ as reported by the station 1 clock. The same signal wavefront arrives at receiver 2 at time $t_3(ST_2)$ as reported by the station 2 clock. Computed interferometric delay from receiver 1 to receiver 2 is defined as

$$\tau_{QU}^C = t_3(ST_2) - t_3(ST_1) \text{ s} \quad (7)$$

with time-tag $t_3(ST_1)$. This definition is not symmetric with respect to station order, but is conventional in astrometric and geodetic applications (reference [4]).

3.1.3.6 Observed Quasar Interferometric Delay

Quasar signals received at two stations are mixed together (i.e., cross-correlated) to produce a beat note that has an amplitude and phase that can be measured. To get a non-zero output, it is necessary at the time of signal processing to align the signals from the two stations so that one station is delayed relative to the other station, by an amount that corresponds to the actual difference in signal arrival times. By convention, the measurement time-tag is the reception time at station 1. The station 2 bit stream is delayed by an amount such that the wavefront recorded at station 1 at the time-tag is mixed with the same wavefront recorded at station 2 at the time-tag plus the delay. Delay may be either positive or negative in this application, depending on the geometry. For a 1 MHz channel sample rate, the delay model used at the correlator must be correct to about 1 μ s to get valid output from the

interferometer. In general, the bit streams must be aligned with an accuracy that is the inverse of the channel bandwidth. The observable, however, is not this crude delay, but rather the phase of the beat note. It can be shown that this phase is a function of the true wavefront travel time from station 1 to station 2 and of the channel reference frequency. Phase can be measured for one or more frequency channels, that are downconverted and filtered slices of the received broadband RF signal. The measured phase is denoted as ϕ_j for channel j . The reference frequency \bar{f}_j for channel j is the weighted center of the received frequency slice, and is a function of the downconverter frequencies at the two stations and of the filter characteristics. All downconverter phases and model terms are restored, so that the interferometric phase may be considered to be an RF measurement.

Interferometric phase ϕ_j is measured in each of two channels, at time $t_3(ST)$ at station 1. Observed delay is calculated from the observed phases as

$$\tau_{QU}^o = \frac{\phi_2 - \phi_1}{f_2 - f_1} \text{ s} \quad (8)$$

Given that phase has units of cycles, and frequency has units of Hz, the delay has units of seconds. The time-tag is $t_3(ST)$. Equation (8) is the same as equations (13-168) in reference [3]. Equation (8) is also consistent with equation (10) in section 11 of reference [4]. As noted in section 11 of reference [4] the convention for VLBI delay observables is that the measurement time scale is defined by the station clocks (i.e., terrestrial time, realized as UTC) and is not scaled to Geocentric Coordinate Time. Reference [1] provides additional background information about radio interferometry.

Just as for spacecraft delay, the deviation of Station Time from UTC and an instrumental delay from the station front end electronics to the recorder system are modeled separately for each station.

3.2 DETAILED SPACECRAFT SIGNAL STRUCTURE

3.2.1 GENERAL

A spacecraft transponder must emit several tones (referred to as DOR tones) spanning some bandwidth to enable a DOR measurement. Recommended standards for DOR tones are given in reference [5]. The DOR tones are generated by modulating a sine wave or square wave onto the downlink carrier. Requirements on the number of DOR tones, tone frequencies, and tone power are based on the expected *a priori* knowledge of spacecraft angular position and on the required differential range measurement accuracy, as discussed in section 4. Generally, a narrow spanned bandwidth is needed to resolve the integer cycle phase ambiguity in the observed signals based on *a priori* knowledge of spacecraft angular position, while a wide spanned bandwidth is needed for high measurement accuracy.

Tones generated by modulating a carrier signal by a single square wave provide a low performance option. As tone power drops off for the higher harmonics, the maximum spanned bandwidth is usually just a few times the fundamental frequency, so a wide spanned bandwidth may not be possible when using a single square wave. To provide higher performance (i.e., a wider spanned bandwidth with more power in the outer tones), while still providing a spanned bandwidth narrow enough for integer cycle phase ambiguity resolution, more DOR tones are needed. Sine waves are normally used in multi-tone systems based on efficiency considerations. Once the ambiguity has been resolved for one channel pair, it is generally possible then to resolve the ambiguity for a channel pair with five times the spanned bandwidth of the first pair.

For example, Δ DOR measurements were made for the Voyager spacecraft using high order harmonics of the 360 kHz telemetry square wave subcarrier signal. More accurate Δ DOR measurements were made of the Mars Observer spacecraft using two sine wave signals (3.825 MHz and 19.125 MHz) modulated onto the downlink carrier.

It is preferable for DOR tones to be frequency coherent with the downlink carrier. This facilitates the detection of weak DOR tones by allowing the use of a phase model derived from the received carrier signal. Also, the transmitted spanned bandwidth of the DOR tones, which must be known for the generation of a differential range observable from received phase measurements, will in this case be a defined multiple of the transmitted carrier frequency.

The most usual DOR tone modulation formats are presented next.

3.2.2 DOR TONES GENERATED FROM MODULATION BY TWO SINE WAVES

Two sinusoidal tones with circular frequencies ω_1 and ω_2 are phase modulated on the downlink carrier signal with peak modulation indices m_1 and m_2 , respectively:

$$s(t) = \sqrt{2P_T} \cos(\omega_c t + m_1 \sin(\omega_1 t) + m_2 \sin(\omega_2 t)). \quad (9)$$

The above expression may be expanded to separate the carrier and main DOR tone components of the signal from higher-order harmonics:

$$s(t) = \sqrt{2P_T} [J_0(m_1)J_0(m_2)\cos(\omega_c t) - 2J_1(m_1)J_0(m_2)\sin(\omega_c t)\sin(\omega_1 t) - \\ 2J_0(m_1)J_1(m_2)\sin(\omega_c t)\sin(\omega_2 t) + \textit{higher harmonics}] \quad (10)$$

where J_0 and J_1 are Bessel functions of the first kind. The modulation produces tones at frequencies of $\omega_c \pm \omega_1$ and $\omega_c \pm \omega_2$. Modulation indices may be chosen to put more power in the outer tones, while putting just enough power in the inner tones to provide for ambiguity resolution.

The powers allocated to the carrier and the tones are easily deduced from the above expression:

$$\begin{aligned}
 P_c &= P_T J_0^2(m_1) J_0^2(m_2), \\
 P_1 &= P_T J_1^2(m_1) J_0^2(m_2), \text{ and} \\
 P_2 &= P_T J_0^2(m_1) J_1^2(m_2).
 \end{aligned} \tag{11}$$

The corresponding modulation losses are expressed as the fractions below:

$$\begin{aligned}
 \frac{P_c}{P_T} &= J_0^2(m_1) J_0^2(m_2), \\
 \frac{P_1}{P_T} &= J_1^2(m_1) J_0^2(m_2), \text{ and} \\
 \frac{P_2}{P_T} &= J_0^2(m_1) J_1^2(m_2).
 \end{aligned} \tag{12}$$

The above two-sine wave signaling scheme was used on Mars Observer. For Mars Observer the nominal values of the DOR modulation indices are $m_1=0.64$ rad and $m_2=0.32$ rad for the $f_1=19.125$ MHz and $f_2=3.825$ MHz DOR tones, respectively. Such values yield modulation losses $P_c/P_T=-1.14$ dB, $P_1/P_T=-10.57$ dB, and $P_2/P_T=-16.94$ dB.

3.2.3 DOR TONES GENERATED FROM MODULATION BY ONE SQUARE WAVE

In this case, one square wave signal with unit amplitude and frequency ω_l is phase modulated on the downlink carrier to generate a downlink signal with multiple tones:

$$s(t) = \sqrt{2P_T} \cos(\omega_c t + m_l \text{sqwv}(\omega_l t)). \tag{13}$$

The cosine of the sum may be expanded to give:

$$s(t) = \sqrt{2P_T} \cos(m_l \text{sqwv}(\omega_l t)) \cos(\omega_c t) - \sqrt{2P_T} \sin(m_l \text{sqwv}(\omega_l t)) \sin(\omega_c t). \tag{14}$$

The second term on the right-hand side is a carrier signal multiplied by a square wave with amplitude $\sin(m_l)$. This square wave has a Fourier expansion

$$\sin(m_l \text{sqwv}(\omega_l t)) = \sin(m_l) \frac{4}{\pi} \sum_{k=1}^{\infty} \frac{\cos[(2k-1)\omega_l t]}{2k-1}, \tag{15}$$

and equation (14) may be rewritten as

$$s(t) = \sqrt{2P_T} \cos(m_1 \text{sqwv}(\omega_1 t)) \cos(\omega_c t) - \sqrt{2P_T} \sin(m_1) \frac{4}{\pi} \sum_{k=1}^{\infty} \frac{\cos[(2k-1)\omega_1 t]}{2k-1} \sin(\omega_c t). \quad (16)$$

The second term on the right hand side produces tones at odd multiples of the subcarrier frequency spaced about the carrier. The modulation loss formula for the square-wave harmonics is easily calculated from the coefficients of the above expression:

$$\frac{P_k}{P_T} = \frac{4}{\pi^2} \frac{1}{(2k-1)^2} \sin^2(m_1) \text{ at } \omega_c \pm (2k-1)\omega_1 \text{ for } k = 1, 2, 3, \dots \quad (17)$$

Considering that the cosine is an even function, the first term on the right hand side of equation (14) would appear to produce a pure carrier signal with $P_c/P_T = \cos^2(m_1)$. However, since the square wave must be band limited, the function $\cos(m_1 \text{sqwv}(\omega_1 t))$ is actually a spike train with period $2\pi/(2\omega_1)$ and amplitude $(1 - \cos m_1)$. This spike train produces even harmonics of the square wave frequency about the carrier signal. For high rate subcarriers these tones may be detectable and usable as DOR tones. The power in the even harmonics is proportional to $(1 - \cos m_1)^2$, but the actual power depends on the shape of the subcarrier signal. The total power in the even harmonics, excluding the carrier signal itself, is usually quite small.

When telemetry modulation is imposed on the subcarrier, the odd harmonics are spread. The even harmonics generated from the spike train, on the other hand, remain as pure tones. High order even harmonics of the high-rate telemetry subcarrier, at a level of about -30 dB relative to the total signal power, were used as DOR tones for the Voyager and Magellan spacecraft. While such measurements of opportunity may be useful, it is difficult to plan for this case since the spectrum depends on the precise shape of the subcarrier signal.

Normally, low-order odd harmonics of the square wave modulation would serve as DOR tones. This scheme was used on the Vega and Phobos missions.

As an example, for a fully suppressed carrier ($m_1=90^\circ$) the suppression of the first two odd square wave harmonics is given by:

$$\frac{P_1}{P_T} = -3.92 \text{ dB and} \quad (18)$$

$$\frac{P_2}{P_T} = -13.46 \text{ dB.}$$

3.3 DELTA-DOR AS A NAVIGATION TECHNIQUE

Delta-DOR measurements are a source of data that may be used in the spacecraft navigation process. The CCSDS Navigation Green Book (reference [7]) describes the navigation process in general. A single Delta-DOR measurement provides one component of spacecraft state, namely the component of angular position in the direction of the baseline projected onto the plane-of-sky; the projection is along the line of sight from the baseline to the radio source. Measurements on two independent baselines determine both coordinates of angular position. Several Δ DOR measurements over a time arc, usually spanning days to weeks, determine the rate of change of angular components.

Normally not all components of spacecraft state may be measured at the same time. Data, including Doppler, range, Δ DOR, and possibly other types of measurements, are acquired and used together to solve for a spacecraft ephemeris. The ephemeris could span the arc of the collected data and be propagated forwards and/or backwards by applying known force models and the laws of motion. In addition to being part of the data mix used to estimate a spacecraft trajectory, the Δ DOR data also provide an estimate of trajectory error. Since Δ DOR is a direct geometric measure of plane-of-sky spacecraft position, the residual, i.e., observed value minus computed value based on an ephemeris, is a direct measure of the ephemeris error. The availability of range data combined with Δ DOR from two baselines provides full three-dimensional observability for spacecraft state.

Computation of the uncertainty associated with a spacecraft ephemeris is an important output of the navigation process. Since Δ DOR may be the strongest data type that is used to estimate the ephemeris, it follows that it is important to correctly characterize the uncertainties, both random and systematic, associated with Δ DOR measurements. A random error is associated with each data point. Systematic errors are better represented using a model and parameters to characterize the effect causing the error.

3.4 THE DELTA-DOR ERROR BUDGET

3.4.1 GENERAL

Modeling of Delta-DOR measurement errors is usually broken into random and systematic components to allow for statistically correct representations of solution uncertainty. Random components are root-sum-squared together to provide a single error bar for each Delta-DOR observable. Systematic components should be individually modeled in the navigation software. Both random errors and systematic errors are presented in this section. The systematic errors are generally more dependent on actual geometry; the effects of modeled systematic errors are properly determined in the navigation software. Here an estimate is given for the magnitude of systematic errors just for informational and comparison purposes.

The Delta-DOR error budget depends on a number of factors including:

- a) observation geometry;
- b) signal radio frequency;

- c) signal spanned bandwidth;
- d) spacecraft DOR tone Signal-to-Noise Ratio (SNR);
- e) quasar SNR;
- f) uncertainty in the quasar position coordinates;
- g) clock instability;
- h) instrumental phase ripple;
- i) uncertainty in station location coordinates;
- j) uncertainty in the orientation of the Earth in inertial space;
- k) uncertainty in the tropospheric delay;
- l) uncertainty in the ionospheric delay;
- m) solar plasma induced delay error.

Parameters necessary to define these factors and to characterize the measurement error are given in this section. Equations providing sensitivity of measured delay to these factors are also given. Then, the predicted Delta-DOR measurement accuracy can be computed as the Root Sum Square (RSS) of terms derived from knowledge of these parameters and from the sensitivity equations. It should be noted that the error budget is for the difference in the spacecraft and quasar delay rather than for single source delay. As will be seen, some of the equations are empirical rather than derived from first principles. Radio wave propagation and VLBI are understood well enough to allow first principles derivations of all major effects, but these derivations generally contain unknown scale factors that depend, for example, on weather conditions. The empirical equations given here are based on analysis of data and are good enough to describe the typical uses of this data type.

As some parameters are used in the calculation of several different error budget components, they are defined only for the first use. All parameters are provided in table 3-1 for reference. All delay errors are given in units of seconds at the one sigma level.

3.4.2 COMPONENTS OF THE DELTA-DOR ERROR BUDGET

Observation Scenario: The scenario described here is based on spacecraft tracking at X-band and current system architecture.

Two widely separated stations simultaneously observe a spacecraft, and, a short time before or after, one or more reference sources, during a Δ DOR measurement. The pass typically takes about one hour, and the antennas slew between spacecraft and quasar several times. For each pass, sources should be selected and observing times should be chosen, to provide the best geometry within constraints. Sources are selected that are angularly close to the spacecraft. Observing times close to the station overlap center are preferred to maximize the

CCSDS REPORT CONCERNING DELTA-DOR—
TECHNICAL CHARACTERISTICS AND PERFORMANCE

station elevation viewing angles. A typical pass consists of six spacecraft and quasar scans in sequence Q1-S-Q2-Q1-S-Q2. The first quasar is usually offset to one side (i.e., lower right ascension) of the spacecraft, while the second quasar is offset to the opposite side. An ideal geometry has the spacecraft angular location midway between the two quasars. The Δ DOR observation is designed to completely cancel all first-order temporal and spatial errors for this case. If the spacecraft is within about 6 deg of one quasar, then this one quasar may be used for all quasar scans. Otherwise, the quasar catalog is dense enough so that, usually, two quasars may be selected that provide an ‘effective average quasar’, located midway on the arc joining the two actual sources, that is within about 6 deg of the spacecraft.

The following parameters characterize the observing geometry and schedule. The parameter values are for one spacecraft-quasar sequence such as Q1-S-Q2. The abbreviations SC and QU are used for spacecraft and quasar related parameters, respectively. Angles are based on the ‘effective average quasar’ location in case two different quasars are observed.

Total quasar observation time	T_{QU} , s
Total spacecraft observation time	T_{SC} , s
Angular separation between SC and QU	$\Delta\theta$, rad
Spacecraft elevation angle at station i	γ_{SC_i} , deg
Quasar elevation angle at station i	γ_{QU_i} , deg
Minimum angle between Sun and SC or QU	SEP , deg

The error budget assumes that scan times are chosen long enough (at least a few minutes each) to reduce errors due to the shorter temporal period media fluctuations to acceptable levels. Enough slews between spacecraft and quasar are assumed to reduce errors due to the longer temporal period media fluctuations to acceptable levels.

Spanned Bandwidth: The maximum separation between spectral components in the spacecraft downlink is an important parameter in the Δ DOR error budget. In Δ DOR, group delays are synthesized from phase measurements made in separated frequency channels. Measured phases are subtracted between channels and divided by the spanned bandwidth to generate delay. For a given level of phase measurement error, the delay error scales down as spanned bandwidth increases. The spanned bandwidth parameter is:

Spanned bandwidth	f_{BW} , Hz
-------------------	---------------

The same value of spanned bandwidth is assumed for all spacecraft and quasar observations. The quasar channels are aligned with the spacecraft channels to achieve the best cancellation of instrumental effects.

Quasar Thermal Noise (Random): The delay error depends on the ratio of antenna gain to system noise temperature (G/T) of the receiving antennas, source flux, channel sampling rate, observation time, and spanned bandwidth. Depending on the antennas that are allocated for a pass, and the flux of the selected quasar(s), the channel sampling rate should be chosen to reduce this error term to an acceptable level while not increasing the data volume beyond practical limits. It is understood that when multiple spacecraft must be supported with quick turnaround, then the highest sampling rate cannot be used for all passes.

Channel bandwidths of 1, 2, and 4 MHz have been used, with resolution of 2 bits/sample. The corresponding sampling rates are 2, 4, and 8 megasamples/s per channel. At least two channels must be recorded to form a group delay. Additional channels are recorded for ambiguity resolution, but fewer bits need be returned for these ‘inner’ channels. Measurement precision for inner channels need only be good enough to resolve the integer cycle ambiguity in the outer channels. The parameters that affect this error term include:

G/T for antenna i	$(G/T)_i, K^{-1}$
Channel sampling rate	$D, \text{ samples/s}$
Quasar correlated flux	$S_c, \text{ Jy}$
System loss factor*	K_L
Boltzman constant	$k=1.38 \times 10^{-23} \text{ Joules/K}$
Radio Frequency wavelength	$\lambda, \text{ m}$

After correlation of recorded data between two stations, and averaging over the duration T_{QU} , the voltage SNR for a single channel of data is given by

$$SNR_{QU} = K_L \frac{10^{-26}}{2k} \frac{\lambda^2}{4\pi} S_c \sqrt{(G/T)_1 (G/T)_2} \sqrt{DT_{QU}} \quad (19)$$

When delay is calculated from phase measurements in two channels separated by f_{BW} , the delay error is given by

$$\epsilon_{\tau_{QU}} = \frac{\sqrt{2}}{2\pi f_{BW}} \frac{1}{SNR_{QU}} \text{ s} \quad (20)$$

Spacecraft Thermal Noise (Random): The delay error depends on received signal-to-noise spectral density of the DOR tone (P_{DOR} / N_0), observation time, and spanned bandwidth. These parameters are used in the calculations:

Effective transmitted tone power along line-of-sight to receiver $P_{tran}, \text{ Watts}$

* This parameter is system dependent and may vary from implementation to implementation.

CCSDS REPORT CONCERNING DELTA-DOR—
TECHNICAL CHARACTERISTICS AND PERFORMANCE

Distance from spacecraft to receiver	R, m
Received tone flux	FL, Watts/m ²

The received tone signal-to-noise spectral density, at station *i*, is given by

$$(P_{DOR} / N_0)_i = P_{tran} \left(\frac{\lambda}{4\pi R} \right)^2 \frac{1}{k} (G/T)_i \quad (21)$$

The ratio P_{DOR} / N_0 can also be determined from received spacecraft tone flux (power per unit area). Flux (*FL*) is related to effective transmitter power and distance by

$$FL = P_{tran} \left(\frac{\lambda}{4\pi R} \right)^2 \frac{4\pi(1m)^2}{\lambda^2} \quad (21a)$$

Substituting flux into equation (21) provides the relation between P_{DOR} / N_0 , at station *i*, and flux

$$(P_{DOR} / N_0)_i = FL \left(\frac{\lambda^2}{4\pi(1m)^2} \right) \frac{1}{k} (G/T)_i \quad (21b)$$

After tone phase extraction, and averaging over the duration T_{SC} , the voltage SNR for a single tone at station *i* is given by

$$SNR_{SC_i} = \sqrt{2(P_{DOR} / N_0)_i T_{SC}} \quad (22)$$

The delay is generated from two tones at each of two stations, and the delay error is given by

$$\epsilon_{\tau_{sc}} = \left[\left(\frac{\sqrt{2}}{2\pi f_{BW}} \frac{1}{SNR_{SC_1}} \right)^2 + \left(\frac{\sqrt{2}}{2\pi f_{BW}} \frac{1}{SNR_{SC_2}} \right)^2 \right]^{1/2} \text{ s} \quad (23)$$

This expression assumes that the two tones at a given station have the same signal level. If this is not the case then a separate term (without the $\sqrt{2}$ in the numerator) should be root-sum-squared for each tone.

Clock Instability (Random): The delay error depends on non-linear variations of the ground station frequency standard (or frequency distribution system), at each station, over the interval between the centers of adjacent spacecraft and quasar observations. These parameters are used:

Time between SC and QU observations	T_{SC-QU} , s
Instrument frequency stability	$\epsilon_{\Delta f}$

The delay error is given by

$$\varepsilon_{\Delta\tau} = T_{SC-QU} \varepsilon_{\Delta f/f} \text{ s} \quad (24)$$

Dispersive Phase (Random): The delay error depends on the difference in the instrumental phase shift between the spacecraft and quasar signals, and on the spanned bandwidth. The quasar signal is broadband and is affected by the average instrumental phase delay over the few-megahertz channel width. The spacecraft signal is narrowband and is affected by the local instrumental phase delay at the received frequency of the spacecraft tone. The linearity of the receiving system over the channel bandwidth is the important parameter. An independent phase error occurs in each channel, but linearity over the full spanned bandwidth is not required. This instrumental phase error is referred to as dispersive phase or phase ripple, and is represented by a deviation of the instantaneous phase response from the average smooth phase response over the channel.

Front-end components are broadband and have relatively little dispersion over channels as narrow as a few megahertz. A good instrument design is to digitize the signal over the full bandwidth, near the front end, and then use digital filters with linear phase response for all baseband processing. Narrowband analog filters should be avoided. The parameter that is used for this term is:

Instrument phase ripple ε_{ϕ} , deg

The phase error is assumed to be independent at each station and for each channel. The delay error is given by

$$\varepsilon_{\Delta\tau} = \sqrt{2} \sqrt{2} \frac{\varepsilon_{\phi}}{360} \frac{1}{f_{BW}} \text{ s} \quad (25)$$

If the stations are known to have different values for phase ripple then the error should be calculated as the root-sum-square of separate terms.

Station Location (Systematic): The delay error depends on the error in the baseline vector projected onto the direction of the angular separation between the spacecraft and quasar. The error scales with the magnitude of the angular separation between the spacecraft and quasar. The parameter that is used for this term is:

Baseline coordinate uncertainty, each component ε_{BL} , m

The delay error is given by

$$\varepsilon_{\Delta\tau} = \frac{1}{c} (\Delta\theta) \varepsilon_{BL} \text{ s} \quad (26)$$

It should be noted that while the measurement for a baseline \vec{B} is sensitive to the component of source angular separation in the direction of the projection of \vec{B} , the error in the measurement is sensitive to the component of source angular separation in the direction of the projection of the vector representing the baseline error.

Earth Orientation (Systematic): The delay error depends on the accuracy of model parameters used to rotate the crust of the Earth into inertial space, and scales with the magnitude of the angular separation between the spacecraft and quasar. These Earth orientation parameters are referred to as Universal Time number 1 (UT1) and polar motion. VLBI measurements of distant radio sources are needed to make an absolute determination of UT1, while GPS satellite observations determine changes in UT1 and polar motion. Accordingly, these parameters are determined with high accuracy after the fact, but predicted values must be used for real-time spacecraft orbit solutions. Predictive errors in Earth orientation are usually dominated by UT1. The parameter that is used for this term is:

Earth orientation uncertainty, each component ε_{UTPM} , m

The delay error is given by

$$\varepsilon_{\Delta\tau} = \frac{1}{c}(\Delta\theta)\varepsilon_{UTPM} \text{ s} \quad (27)$$

For data that are re-analyzed after the fact, this error term drops to a very small value.

Zenith Troposphere (Systematic): Meteorological data from each site, supplemented when possible with GPS satellite observations and/or water vapor radiometer data, are used to generate calibrations for zenith troposphere delay. The Δ DOR delay error depends on the accuracy of the zenith troposphere calibration, the elevation angle, and the difference in elevation angles between spacecraft and quasar. The delay error scales as the inverse of sine of elevation. The key to keeping the Δ DOR error small is to observe at high elevation angles. The parameters that are used for this term are:

Zenith wet troposphere delay uncertainty at station i $\rho_{z_{wet_i}}$, m

Zenith dry troposphere delay uncertainty at station i $\rho_{z_{dry_i}}$, m

There is a delay error term for each station and for both wet and dry components. All error terms have the form

$$\varepsilon_{\Delta\tau} = \frac{\rho_z}{c} \left| \frac{1}{\sin\gamma_{SC} + 0.015} - \frac{1}{\sin\gamma_{QU} + 0.015} \right| \text{ s} \quad (28)$$

The four error terms should be root-sum-squared to get an estimate of the total systematic troposphere error. A more precise mapping function could be used for an error estimate, but

the simple mapping function given here is adequate for error estimation for the range of elevation angles typically observed.

Fluctuating Troposphere (Random): The actual tropospheric delay along a particular line-of-sight will have both temporal and spatial variations relative to the model represented by the zenith delay and mapping function. The Δ DOR error depends on the portion of this delay that does not cancel after differencing between spacecraft and quasar. This in turn depends on elevation angle and angular separation. Estimates for this error can be derived from analysis of the scatter in VLBI residuals for large data sets dominated by troposphere error, or from calculations involving structure functions that were derived from some measure of troposphere fluctuations. Here an empirical expression is given. The delay error for an angular separation of 10 deg is taken as an input parameter, based on prior data analyses.

Fluctuating troposphere uncertainty for 10 deg separation $\rho_{trop_{fluct}}$, m

The delay error is then calculated by linearly scaling this term to the actual angular separation:

$$\varepsilon_{\Delta\tau} = \frac{1}{c} \left(\frac{\Delta\theta}{0.1745} \right) \rho_{trop_{fluct}} \text{ s} \quad (29)$$

The key to keeping the Δ DOR error small is to observe at high elevation angles, keep the angular separation small, and slew between sources several times.

Ionosphere Shell (Systematic): Global maps of ionospheric delay are derived from dual frequency GPS satellite measurements from receivers all over the world. Calibration accuracy for a particular station is better when there are receivers at and surrounding the station. The Δ DOR error depends on the error in the calibration value that does not cancel between the spacecraft and quasar. For error modeling purposes, it is convenient to use partial derivatives of the ionosphere shell model of Klobuchar (references [8] and [3]). A nighttime value and a peak daytime value for zenith ionosphere delay uncertainty are specified. The parameters are:

Daytime ionosphere model uncertainty (X-band level) at station i $\rho_{iono_{day_i}}$, m

Nighttime ionosphere model uncertainty (X-band level) at station i $\rho_{iono_{night_i}}$, m

The Klobuchar model scales the line-of-sight error estimate as a function of where the raypath pierces the ionospheric shell in relation to the local ionospheric bulge, and also as a function of elevation. The differential delay error depends on the angular separation between sources. Typical values for daytime and nighttime delay error (see table 3-1) yield a differential delay error estimate of 0.02 ns for daytime measurements that follow the observation assumptions. For rough error estimation purposes, it is permissible to use equation (30) defined below to estimate this term, rather than the Klobuchar model.

Fluctuating Ionosphere (Random): An empirical model is used to estimate the Δ DOR error due to temporal and spatial variations in the ionosphere that are not represented by the model of Klobuchar. Just as for the fluctuating troposphere, the delay error for an angular separation of 10 deg is taken as an input parameter, based on prior data analyses.

Fluctuating ionosphere uncertainty for 10 deg separation ρ_{iono_fluct} , m

The delay error is then calculated by linearly scaling this term to the actual angular separation:

$$\varepsilon_{\Delta\tau} = \frac{1}{c} \left(\frac{\Delta\theta}{0.1745} \right) \rho_{iono_fluct} \text{ s} \quad (30)$$

It should be recognized that there can be anomalies in the ionosphere that result in much larger variations and hence much larger Δ DOR errors. Also, the magnitude of this effect is larger by about a factor of two for solar maximum as compared to solar minimum.

Solar Plasma (Random): The effects of solar plasma mostly cancel between the two stations involved in a VLBI measurement. At X-band, the error is not significant outside of about 10 deg Sun-Earth-Probe (SEP) angle, that is, for raypaths that are separated by more than 10 deg from the Sun. The solar plasma error depends on signal frequency and proximity of the signal raypaths to the sun. An estimate for the delay error is given by Callahan (reference [9]). The parameters in addition to SEP used in the estimate are:

Signal Radio Frequency	f_{RF} , GHz
Raypath separation at plane of signal closest approach to Sun	B_s , m
Solar wind velocity	v_{SW} , m/s

The delay error is given by

$$\varepsilon_{\tau} = \frac{0.013}{f_{RF}^2} \left[\sin(SEP) \right]^{-1.3} \left(\frac{B_s}{v_{SW}} \right)^{0.75} \times 10^{-9} \text{ s} \quad (31)$$

There is a term of this form for both the spacecraft and the quasar. Cancellation of this effect between radio sources will not occur unless the raypaths for the different sources are at separations comparable to the baseline length, such as for two radio sources within the same antenna beamwidth.

Quasar Coordinate (Systematic): The quasars selected for use as Δ DOR reference sources have positions that are known in the International Celestial Reference Frame (reference [10]). Most of the catalog sources have position accuracy in the range of 0.5 to 2.0 nrad. For Δ DOR it is a priority to select sources from the catalog that have less structure effects and better-known positions. The parameters used for this term are

Quasar coordinate uncertainty	ε_g , rad
Length of baseline projection onto plane-of-sky	B_p , m

Assuming a spherical coordinate uncertainty, the delay error is given by

$$\varepsilon_{\tau_{Qu}} = \frac{B_p}{c} \varepsilon_g \text{ s} \tag{32}$$

3.4.3 DELTA-DOR ERROR ESTIMATES

To estimate Δ DOR errors, nominal values for all parameters must be assigned and assumptions about measurement geometry must be made. Table 3-1 provides nominal values for all parameters that are representative of current NASA system capabilities. When estimating performance for other networks, these assumptions should be reviewed and revised as appropriate. The models of the previous subsections of this document are used to compute error terms from the parameter values. A total expected error is then computed as the root-sum-square of the terms. Table 3-2 lists the measurement errors by components. This table includes both random and systematic effects. The error budget is plotted in figure 3-4.

In addition to computing the expected total error, the components of the error budget are broken into random and systematic components. This breakdown is useful for covariance analyses. The actual geometry is then used to compute individual systematic errors, and correlations between measurements are properly accounted for. Table 3-3 lists the random components of the error budget. The RSS Total at the bottom of table 3-3 would be the recommended data weight for a single Δ DOR measurement, provided the nominal parameter values in table 3-1 properly characterize the measurement and calibration systems. Systematic error sources are listed in table 3-4. When using the data weight from table 3-3, the effects of the error sources in table 3-4 should be explicitly accounted for in the navigation modeling to develop a realistic covariance for orbit solutions that incorporate Δ DOR measurements.

All errors are listed at the one-sigma level. Measurement errors in these tables and figures are given in units of nanoseconds of time delay. The error may be converted from units of time delay to units of angle by multiplying by the speed of light and dividing by the length of the baseline projected onto the plane-of-the-sky. The angular error may then be converted into a position error at the spacecraft, normal to the line of sight, by multiplying by the Earth-spacecraft distance.

3.4.4 DELTA-DOR ERROR BUDGET SUMMARY

Precision and accuracy: Precision refers to the statistical error in the measurement based on empirical scatter in the data. Accuracy refers to the difference between the measurement and

CCSDS REPORT CONCERNING DELTA-DOR—
TECHNICAL CHARACTERISTICS AND PERFORMANCE

truth. The precision of a spacecraft DOR measurement depends on the received tone power-to-noise power ratio and on the spanned bandwidth of the DOR tones. But the accuracy of a Delta-DOR measurement also depends on the precision of the quasar delay measurement, on knowledge of the quasar position, on clock stability, on instrumental phase response, and on uncertainties in Earth platform models and transmission media delays. Space missions typically utilize Delta-DOR to meet certain navigation requirements. Requirements or guidelines for interagency Delta-DOR accuracy should be specified in an Implementing Arrangement (reference [11]). Then, a strategy to provide the required accuracy for model parameters (quasar coordinate, station location, transmission media delay, Earth orientation) and observed delays should be developed.

Table 3-1: Nominal Parameter Values [Typical NASA Case] for Evaluation of Δ DOR Error Budget

Term	Description	Nominal Value
T_{QU}	Total quasar observation time	960 s
T_{SC}	Total spacecraft observation time	480 s
$\Delta\theta$	Angular separation between spacecraft and quasar	0.1 rad
$\Delta\theta_B$	Component of spacecraft-quasar angular separation in direction of baseline projection	0.1 rad
γ_{SC_i}	Spacecraft elevation angle at station i	20 deg
γ_{QU_i}	Quasar elevation angle at station i	25 deg
SEP	Minimum angle between Sun and spacecraft or quasar	20 deg
f_{BW}	Spanned bandwidth	38.25×10^6 Hz
$(G/T)_i$	G/T for antenna i	52.56 dB K ⁻¹
D	Channel sampling rate	8×10^6 samples/s
S_c	Quasar correlated flux density	0.4 Jy
K_L	System loss factor	0.8
k	Boltzman constant	1.38×10^{-23} Joules/K
λ	Radio Frequency wavelength	0.0356 m
SNR_{QU}	Quasar voltage SNR (derived)	185
P_{tran}	Effective transmitted tone power	112.7 Watts
R	Distance from spacecraft to receiver	150×10^9 m
FL	Spacecraft tone flux (derived)	3.981×10^{-22} W/m ²

CCSDS REPORT CONCERNING DELTA-DOR—
TECHNICAL CHARACTERISTICS AND PERFORMANCE

Term	Description	Nominal Value
$(P_{DOR} / N_0)_i$	DOR tone power to noise spectral density, station i (derived)	27 dB•Hz
SNR_{SC_i}	Spacecraft voltage SNR (derived)	695
T_{SC-QU}	Time between centers of spacecraft and quasar scans	600 s
$\epsilon_{\Delta f}$	Instrument frequency stability at 600 s	10^{-14}
ϵ_{ϕ}	Instrument phase ripple (nonlinearity across channel of few MHz bandwidth)	0.2 deg
ϵ_{BL}	Baseline coordinate uncertainty, each component	0.03 m
ϵ_{UTPM}	Baseline orientation uncertainty, each component (1 day prediction)	0.04 m
$\rho_{z_{wet}_i}$	Zenith wet troposphere delay uncertainty, station i	0.005 m
$\rho_{z_{dry}_i}$	Zenith dry troposphere delay uncertainty, station i	0.002 m
$\rho_{trop_{fluct}}$	Fluctuating troposphere uncertainty for 10 deg separation	0.01 m
$\rho_{iono_{day}_i}$	Daytime ionosphere model uncertainty (X-band level), station i	0.04 m
$\rho_{iono_{night}_i}$	Nighttime ionosphere model uncertainty (X-band level), station i	0.01 m
$\rho_{iono_{fluct}}$	Fluctuating ionosphere uncertainty for 10 deg separation (increase by $\times 2$ near solar max)	0.01 m
f_{RF}	Signal Radio Frequency	8.42 GHz
B_s	Separation of raypaths from radio source to two stations, at plane of signal closest approach to Sun	6×10^6 m
v_{SW}	Solar wind velocity	4×10^5 m/s
ϵ_{θ}	Quasar coordinate uncertainty	0.75×10^{-9} rad
B_p	Length of baseline projection onto plane-of-sky	8×10^6 m

CCSDS REPORT CONCERNING DELTA-DOR—
 TECHNICAL CHARACTERISTICS AND PERFORMANCE

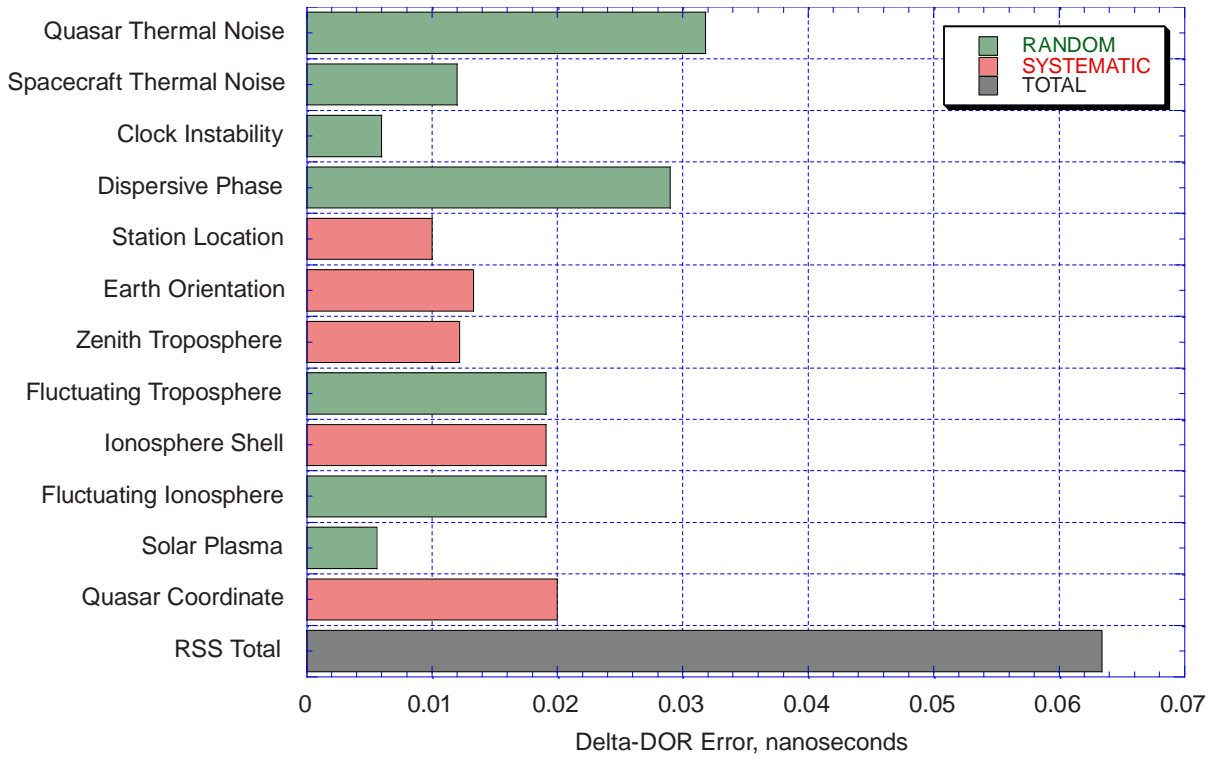


Figure 3-4: Delta-DOR Error Budget for X-Band Including Random and Systematic Effects (1 Sigma)

Table 3-2: Delta-DOR Error Budget (1 Sigma)—Both Random and Systematic Effects

<u>Component</u>	<u>Random/Systematic</u>	<u>Delay Error (ns)</u>
Quasar thermal noise	Random	0.032
Spacecraft thermal noise	Random	0.012
Clock instability	Random	0.006
Dispersive phase	Random	0.029
Station location	Systematic	0.010
Earth orientation	Systematic	0.013
Zenith troposphere	Systematic	0.012
Fluctuating troposphere	Random	0.019
Ionosphere shell	Systematic	0.019
Fluctuating ionosphere	Random	0.019
Solar plasma	Random	0.006
Quasar coordinate	Systematic	0.020
<hr/>		
RSS total		0.063

Table 3-3: Delta-DOR Error Budget (1 Sigma)—Random Effects Only

<u>Component</u>	<u>Delay Error (ns)</u>
Quasar thermal noise	0.032
Spacecraft thermal noise	0.012
Clock instability	0.006
Dispersive phase	0.029
Fluctuating troposphere	0.019
Fluctuating ionosphere	0.019
Solar plasma	0.006
<hr/>	
RSS random	0.053

Table 3-4: Delta-DOR Error Budget (1 Sigma)—Systematic Effects Only

<u>Component</u>	<u>Model Error</u>
Station Location *	3 cm with correlations
Earth Orientation	
UT1 1-day prediction	4 cm
UT1 after the fact	2 cm
Polar Motion	2 cm
Zenith Troposphere	
Wet	0.5 cm
Dry	0.2 cm
Ionosphere Shell	
Day (X-band level)	4 cm
Night (X-band level)	1 cm
Quasar Coordinate	0.75 nrad

*Correlations among station coordinates may be accounted for in a covariance matrix.

4 SYSTEM RATIONALE AND TRADE-OFFS

4.1 DEFINITION OF PARAMETERS USED IN DELTA-DOR TRADE-OFFS

4.1.1 GENERAL

Delta-DOR measurements are affected by spacecraft transmitter specifications, by ground station receiver specifications, and by the observing sequence and duration. This section discusses the design options that can be varied.

The measurements used for Delta-DOR are group delay measurements, and they require a signal that spans some bandwidth. Since weak extragalactic radio sources are observed for calibration, a spanned bandwidth of at least a few MHz is necessary. Group delay measurement performance generally depends on signal power and on the frequency span of the signal. Many different waveforms could be used, such as broadband noise (used for quasar measurements), pseudo noise codes (used for spacecraft ranging), sinusoidal tones (also used for spacecraft ranging), or telemetry sidebands. In order to provide performance at a known level, and to enable interoperability, a standard has been recommended for spacecraft signal specification.

It is recommended that a spacecraft transponder emit several tones (referred to as DOR tones) spanning some bandwidth to enable a DOR measurement. CCSDS document 401.0-B (2.5.6B), listed as reference [5], describes the DOR tones, characterizes the spacecraft generation of the tones, and discusses how they may be detected/received at the ground stations. Space Frequency Coordination Group (SFCG) Recommendation 23-2 (reference [23]) and SFCG Recommendation 30-1 (reference [24]) also concern bandwidth and power considerations for the DOR tones.

Specifications for the spacecraft transponder and for ground station receivers must be consistent with the DOR tone recommended standards in order to enable inter-agency Delta-DOR measurements. It should be noted that DOR tones do not need to be at one exact frequency. Rather, a range of frequencies could be used to provide a Delta-DOR capability over a range of performance values. A general description of DOR tones is presented here, along with considerations that factor into design choices. The description given here helps explain the specification given in reference [5]. Equations in section 3 of this document support the general statements given here on performance trade-offs.

4.1.2 DOR TONE DESIGN CONSIDERATIONS

Mission navigation accuracy requirements and other spacecraft and planetary ephemeris accuracy requirements drive the considerations of this section.

Factors considered in design trade-offs for DOR tones include:

- a) Frequency band: The DOR tones may be at S-band (2290–2300 MHz), X-band (8400–8450 MHz), or Ka-band (31.8–32.3 GHz). Choice of downlink band is

usually decided early in a mission design phase and depends on important factors other than DOR tones. However, the choice made will impact Δ DOR performance. Charged particle effects in delay measurements scale as 1 over frequency squared, so the higher RF bands provide better accuracy when other factors are the same. Further, more spanned bandwidth has been allocated for deep space tracking at the higher RF bands, allowing the trade in b) to be considered. The higher bands allow for reducing certain error terms, since the DOR tone frequency may be selected up to the available spectrum allocation. But additional work may then be required to reduce other error terms in order to achieve an overall improvement in accuracy. For example, quasar flux tends to be lower at the higher frequency bands, and atmospheric attenuation tends to be higher, so channel sampling rate would need to be increased to maintain a high signal-to-noise ratio. Further, fewer quasars are available for selection from existing catalogs, since surveying efforts at the higher frequency bands were started many years after similar efforts at the lower frequency bands. It should be noted that no need has yet been identified to extend this technique to Category A missions ('Near Earth') that operate in the K (25.5–27 GHz) band or Ka (37–38 GHz) band.

- b) **Spanned Bandwidth:** The frequency separation between the two outermost DOR tones is referred to as the spanned bandwidth of the spacecraft signal. Generally, a narrow spanned bandwidth is needed for integer cycle phase ambiguity resolution based on *a priori* knowledge of spacecraft angular position, while a wide spanned bandwidth is needed for high measurement accuracy. (The same bandwidth span is used for both the spacecraft and the quasar to ensure instrumental error cancellation). The bandwidth span is a very important factor in terms of controlling errors due to spacecraft SNR, quasar SNR, and instrumental phase ripple, as these errors scale inversely with spanned bandwidth, so an overall improvement in performance is obtained by increasing the spanned bandwidth.
- c) **Tone power to noise spectral density ratios:** The SNR influences measurement accuracy. Also, there is a trade-off between SNR and the duration of the spacecraft scan. Higher SNR can be used either to achieve higher measurement accuracy or to reduce the overall measurement time needed to realize a specified accuracy.
- d) **Waveform and modulation type:** The DOR tones are generated by modulating a sine wave or square wave subcarrier onto the downlink carrier. The subcarrier waveform may itself either be modulated or unmodulated. An unmodulated subcarrier results in a spectrum of sinusoidal signals that are used for the Delta-DOR measurement. During a measurement session, receivers are configured to record frequency channels centered on the received DOR tones. The same frequency channels must be used for both the spacecraft and quasar in order for the quasar measurement to provide a calibration of instrumental delay for the spacecraft measurement. The frequency channels must be wide, on the order of 2 MHz, to detect the weak signals from natural radio sources. When the spacecraft signal is narrow bandwidth the instrumental delay experienced by the spacecraft signal will not be identical to the instrumental delay experienced by the broadband quasar signal. The spacecraft sees the phase delay at one discrete frequency near the channel center while the quasar

sees the average phase delay over the full channel bandwidth. This instrumental delay difference is one of the dominant measurement errors for Delta-DOR. This error source could be reduced, or nearly eliminated, if the subcarrier were modulated by a pseudo noise code that effectively spreads the spacecraft signal power over the full channel bandwidth used for recording the quasar signal.* In this case, instrumental effects on the two signal paths would be more nearly equal.

- e) Modulation parameters: Sine waves are normally used in multi-tone systems based on efficiency considerations. Modulation options include: use of two sinusoidal waveforms phase modulated on the downlink carrier signal, one square wave phase modulated on the downlink carrier, and choice of modulation indices. When multiple tones are provided, relatively more power is preferred in the outermost tones, since these are used to develop the final observable. Square wave harmonics drop off in amplitude as $1/n$, so they do not provide optimal performance. When multiple sine waves are used, a separate modulation index for each tone can be selected to place most power in the outer tones while providing just enough power to the inner tones to resolve the ambiguity.
- f) Number of DOR tones (1, 2, or 3): The number of DOR tones is largely determined by the band of the DOR tones. To provide higher performance (i.e., a wider spanned bandwidth with more power in the outer tones), while still providing a spanned bandwidth narrow enough for integer cycle ambiguity resolution, more DOR tones are needed. The minimum tone separation is based on the accuracy that can be guaranteed in the predicted ephemeris used during data processing. Once the ambiguity has been resolved for one bandwidth, it is generally possible then to resolve the ambiguity for a bandwidth that is wider by a factor of 5 to 20.

NOTE – If a transponder also has capability to generate a telemetry subcarrier, at a frequency comparable to the low frequency DOR tones, then it may be possible to use telemetry sidebands for ambiguity resolution, removing the need for low-frequency DOR tones.

- g) Tone frequencies: There is a trade-off between (i) choosing the widest possible bandwidth for improved measurement accuracy, (ii) placing the signal within the band allocated for deep space tracking, and (iii) keeping the spectrum compact to avoid interference from or to other users. Historically, 19 MHz has been used as the DOR tone frequency at X-band, and this sets a limit on the Delta-DOR measurement accuracy that can be achieved. The wider bandwidth allocation at Ka-band allows for the possibility of improved accuracy. For this reason, DOR tones at higher frequency are foreseen for Ka-band in reference [5]. To realize improved accuracy, even higher tones may be considered in the future. Surveys indicate that natural radio sources have correlated flux, over longer baselines, that is typically reduced by a factor of 2 to 3 from the X-band flux. There are sources with different spectral types and exceptions, but the typical behavior is relevant for support of navigation that requires a large catalog of quasars. Further, ground receivers have system noise temperatures

* The use of a modulated subcarrier for generation of DOR signals is not presently covered in reference [5].

that are about a factor of 2 higher at Ka-band when compared to X-band. The combination of these two effects implies, for the same DOR tone frequency, that the error due to system noise on the quasar measurement would be about five times higher at Ka-band as compared to X-band. Since this is typically one of the dominant Delta-DOR errors, overall Delta-DOR performance would degrade by this factor. To recover the same performance at Ka-band as for X-band, one could increase the DOR tone frequency by a factor of 4 and also increase the channel sample rate by a factor of 4. The combination of these two effects would reduce the system noise error on the quasar measurement by a factor of 8, providing slightly better performance at Ka-band than X-band. But to realize substantially better performance at Ka-band, it would be necessary to increase further the DOR tone frequency and/or channel sample rate.

- h) Coherency: The DOR tones may be a coherent submultiple of the downlink carrier, or they may be generated from an independent oscillator onboard the spacecraft. Either method provides comparable performance when DOR tone SNR is high enough for standalone tracking, e.g., 10 dB•Hz or greater. But, if the DOR tone is weaker than this, and if carrier aiding is used to detect the DOR tones, then performance is better if the DOR tone is coherent with the carrier. There is no advantage in having the downlink carrier coherent with an uplink signal as long as the one-way downlink carrier can itself be detected and tracked.
- i) Support for legacy missions: At present, both telemetry sidebands and uplink range codes have been used to enable Delta-DOR measurements on spacecraft without dedicated DOR tone modulation. While these signals may be used, they generally provide less spanned bandwidth than DOR tones, and hence provide poorer performance. Delta-DOR measurement accuracy tends to scale linearly with inverse spanned bandwidth for bandwidths below 10 to 20 MHz.

4.1.3 GROUND STATION RECEIVER DESIGN CONSIDERATIONS

Factors considered in design trade-offs for ground station receivers and recorders include:

- a) Hardware compatibility: A standard set of nominal sample rates and sample quantization levels must be agreed to. However, each agency is free to develop its own hardware for receiving and recording the signals from spacecraft and quasars, provided data can be translated into a standard format. Reference [13] is the CCSDS Recommended Standard for raw Delta-DOR data exchange. To be compatible with this standard, each Agency must be able to provide data that have been recorded using an open loop technique in a set of separate discrete frequency channels. The number of channels and center frequencies to be used for the channels must be settable to a list of values that would vary for each spacecraft, and may also vary from one recording session to the next. The channel sample rate and sample quantization levels must be chosen from a list of agreed common values. Known current capabilities of CCSDS Member Agencies are given in section 5.

- b) Configuration flexibility: The specific tracking scenarios that will be supported (e.g., a single spacecraft in cruise or several spacecraft that are angularly close to each other) have implications for the number of frequency channels and the channel placements that are needed. Tracking passes that provide navigational support for several spacecraft are more efficient in terms of antenna resources, but put more demands on configuration of recording systems.
- c) Receiver parameters: Specification of the receiver performance characteristics (e.g., linearity of the phase-frequency response over each frequency channel, channel center frequency, sample rate, number of bits per sample, number of frequency channels) is required in order to plan observations and estimate overall system performance using the analysis of section 3. Several alternate levels of instrumental performance (e.g., different sample rates and different frequency spans) could be specified that would correspond to different levels of Delta-DOR accuracy.
- d) Instrumental delay stability: The instrumental delay must be kept the same over the duration of the measurement session, and the same for both spacecraft and quasar, within the limits imposed by variations in analog components. If different channel sampling rates are used for the spacecraft and the quasar, then the filter delay should be compensated so that both spacecraft and quasar will experience the same signal delay. If an antenna array is used to receive the signal, the position and clock reference point for the array must remain fixed.

4.1.4 RADIO SOURCE SELECTION AND OBSERVATION SEQUENCE CONSIDERATIONS

Factors considered for radio source selection and observation setup include:

- a) Source selection: Ideally one would observe a strong, compact radio source that is angularly close to the spacecraft trajectory. As a starting point, the X-band radio source catalog (reference [6]) is dense enough to usually provide a single source, or two sources with an ‘effective average position’, that falls within 6 deg of a given spacecraft angular location and has flux density of 0.4 Jy or above. The options are to select a stronger source that is more angularly distant, or to select a weaker source that is angularly closer. Some error sources scale up as flux decreases while other error sources scale down as angular separation decreases. Source selection thus has a large impact on overall performance. More options in recording system sensitivity (G/T , sample rate, spanned bandwidth) provide more options for source selection. Also, continuing survey work to add sources to the catalog provide more options for source selection. But it should be recognized that there are not many sources (discovered or undiscovered) that have flux exceeding 0.4 Jy. Limits imposed by the spanned bandwidth of current spacecraft and by the sensitivity of current ground stations make it impractical to select sources with flux much below 0.4 Jy, so options are limited at present.

NOTE – Source flux is variable and survey measurements of source flux should be repeated over time.

- b) Observation sequence: The length of each scan, the number of alternate spacecraft and quasar observations, and the total duration of the measurement session can be adjusted. Times are usually kept short to reduce station usage and to complete observations at higher station elevation angles. Since SNR improves only as the square root of observation time, and long baselines have limited viewing overlaps, not too much can be gained by increasing observation time. On the other hand, the observation time needs to be at least a few minutes per source, or else short period media fluctuations will begin to dominate, and thermal noise errors will grow. As a starting point, 5–10 minutes per scan and six alternate spacecraft and quasar observations should be considered. This strategy controls temporal media fluctuations to the level stated in section 3 of this document and allows for internal validation of the data.
- c) Channel sample rate: A higher sample rate increases quasar SNR. But the channel bandwidth cannot be more than $\frac{1}{2}$ the spanned bandwidth if quasar channels are to be independent and aligned with spacecraft channels. Generally, it is necessary to keep the quasar channel bandwidth down to the level of about $\frac{1}{10}$ the spanned bandwidth in order for the phase ripple error to not exceed the value given in table 3-1. Using a wider channel bandwidth for the quasar would be expected to result in poorer cancellation of dispersive phase error between spacecraft and quasar.

NOTE – This limitation might be avoided if the spacecraft were to transmit a spread spectrum–like quasar noise rather than pure tones, or if the non-linear phase response of the receiver bandwidth could be well calibrated.

4.2 TRADE-OFF ON SPACECRAFT TONE POWER

The Delta-DOR error budget presented in 3.4 assumes a high spacecraft DOR tone signal-to-noise ratio. This allows flexibility in meeting an accuracy requirement and more options for achieving higher performance. Alternatively, measurements could be made at lower tone powers but with reduced performance. The impact on spacecraft delay measurement precision and total delay accuracy can be calculated using the models of 3.4. Tables 4-1 to 4-3 show the calculated value for the spacecraft thermal noise contribution ($\epsilon_{\tau_{SC}}$) and for the RSS total delay error ($\epsilon_{\Delta\tau_{RSS}}$) for a range of assumptions about the spacecraft tone SNR (P_{DOR}/N_0), the spacecraft observation time (T_{SC}), and the spanned bandwidth (f_{BW}). All other assumptions are kept at the nominal values, as given in table 3-1, that are based on typical NASA system performance.

In general, visibility is limited for long baseline measurements, so observation times will be limited. The total duration for a session is usually kept to 1 hour, and the duration of an individual scan is usually kept between 5 and 10 minutes. Table 4-1 presents results for the preferred case where spacecraft observation time is set to 8 minutes and the spanned

bandwidth is close to 40 MHz. The measurements with low P_{DOR}/N_0 (first three rows) are dominated by thermal noise on the spacecraft measurement. Overall system performance improves significantly as P_{DOR}/N_0 is increased. The higher values of P_{DOR}/N_0 provide a more robust implementation where overall system performance does not mostly depend on a single term and more efficient use can be made of other system resources.

Table 4-1: Dependence of Delay Precision and Accuracy on Spacecraft Signal Parameters: High Performance Case

P_{DOR}/N_0 (dB·Hz)	T_{SC} (s)	f_{BW} (Hz)	$\epsilon_{\tau_{SC}}$ (ns)	$\epsilon_{\Delta\tau_{RSS}}$ (ns)
1	480	38.25×10^6	0.239	0.247
7	480	38.25×10^6	0.120	0.135
13	480	38.25×10^6	0.060	0.086
19	480	38.25×10^6	0.030	0.069
27	480	38.25×10^6	0.012	0.063

Table 4-2 presents results for a case where spacecraft tone power may be limited, due perhaps to transmission from a low gain antenna. Observation time is set to 30 minutes to partially compensate for reduced tone power. The spanned bandwidth is fixed at close to 40 MHz. The measurements with low P_{DOR}/N_0 are dominated by thermal noise on the spacecraft measurement, as before. But in this case, overall system performance improves little as P_{DOR}/N_0 is increased beyond the third row. The use of the longer scan duration shown in table 4-2 would be appropriate only for the lower tone powers of rows 1–3. This represents use of the Delta-DOR system to meet a mission need where spacecraft tone power is constrained, although ground station resources are being used in an inefficient manner.

NOTE – Visibility conditions do not always allow for such a long scan time.

Table 4-2: Dependence of Delay Precision and Accuracy on Spacecraft Signal Parameters: Low Gain Antenna Case

P_{DOR}/N_0 (dB·Hz)	T_{SC} (s)	f_{BW} (Hz)	$\epsilon_{\tau_{SC}}$ (ns)	$\epsilon_{\Delta\tau_{RSS}}$ (ns)
1	1800	38.25×10^6	0.124	0.138
7	1800	38.25×10^6	0.062	0.088
13	1800	38.25×10^6	0.031	0.069
19	1800	38.25×10^6	0.016	0.064
27	1800	38.25×10^6	0.006	0.062

Table 4-3 presents results for a case where the spacecraft does not have DOR tones or else only has a low-frequency DOR tone. Observation time is set to 30 minutes and the spanned bandwidth is fixed at 6 MHz. Some legacy missions have been supported using parameters with values similar to the values shown in table 4-3. While overall performance does not compare to what can be achieved using the assumptions in tables 4-1 or 4-2, the resulting performance may be of benefit to some mission classes.

Table 4-3: Dependence of Delay Precision and Accuracy on Spacecraft Signal Parameters: No DOR Tone or Low Frequency DOR Tone Case

P_{DOR} / N_0 (dB•Hz)	T_{SC} (s)	f_{BW} (Hz)	$\epsilon_{\tau_{SC}}$ (ns)	$\epsilon_{\Delta\tau_{RSS}}$ (ns)
1	1800	6×10^6	0.789	0.836
7	1800	6×10^6	0.395	0.483
13	1800	6×10^6	0.198	0.342
19	1800	6×10^6	0.099	0.296
27	1800	6×10^6	0.040	0.281

The nominal values for the observation assumptions of 3.4 are shown in table 4-1 in the 5th row, highlighted in bold. This row satisfies the good engineering practice of having each error source that can be controlled kept at no more than 25 percent of the total error budget. It should be noted that most rows with lower SNR assumptions do not satisfy this criterion.

4.3 SYSTEM TRADE-OFF ON CURRENTLY ACHIEVABLE PERFORMANCE

Based on the above discussion in 4.1.1 to 4.1.3, and the error sensitivity equations in section 3, the most important parameters for Delta-DOR observation trade-off on currently achievable performance are those listed in table 4-4. The nominal values for the parameters in table 4-4 are consistent with table 3-1.

Table 4-4: Nominal Parameter Values for Evaluation of Δ DOR Trade-Offs

Term	Description	Nominal Value
$\Delta\theta$	Angular separation between SC and QU	0.1 rad
f_{BW}	Spanned bandwidth	38.25×10^6 Hz
<i>Band</i>	Radio Frequency band	X-band
S_c	Quasar correlated flux	0.4 Jy
ϵ_ϱ	Quasar coordinate uncertainty	0.75×10^{-9} rad

The parameters and nominal values in table 3-1 define a typical Delta-DOR observation, and are the starting point for trade-off considerations. This subsection looks at variations in the specific parameters listed in table 4-4. These trades are based on current system capabilities.

Surveys have been made of the density of quasars per unit area on the celestial sphere at a given flux level. Generally, it is necessary to select a quasar with smaller S_c in order to obtain a smaller $\Delta\theta$. It was stated in 4.1.3 that there is usually a quasar with flux 0.4 Jy within 6 deg of a spacecraft to be observed. For this trade-off study it is assumed that the available quasar flux will change linearly as $\Delta\theta$ (rad):

$$S_c = \frac{0.4}{0.1} \Delta\theta \text{ Jy} \tag{33}$$

Based on surveys (references [14], [15], and [16]), this assumption is plausible over the range of 1–15 deg separation angles typically used for an X-band Delta-DOR observation. But it is noted in reference [14] that these survey results are preliminary and research continues in this area.

Using the assumption represented by equation (33), the RSS total Delta-DOR error for X-band observations may be plotted as a function of $\Delta\theta$. This is shown in figure 4-1 for two values of f_{BW} . The curve showing estimated total error has a shallow minimum at a separation angle of 0.09 rad for the nominal spanned bandwidth of 38.25 MHz. As separation angle grows, errors that scale with separation angle dominate, and the RSS total error is nearly a linear function of $\Delta\theta$. As $\Delta\theta$ gets small, the error due to quasar thermal noise grows fast and completely dominates, since it is assumed that a correspondingly weak quasar must be observed. If the spanned bandwidth could be increased, then the minimum error would be reduced, and the minimum would occur at a smaller value of $\Delta\theta$. The curve for a factor of two increase in f_{BW} is shown. A larger increase in f_{BW} is not considered practical since allocated bandwidth in the 8.4 GHz space research band is limited. Also, the minimum error is already approaching the limit set by uncertainty in knowledge of the quasar coordinate.

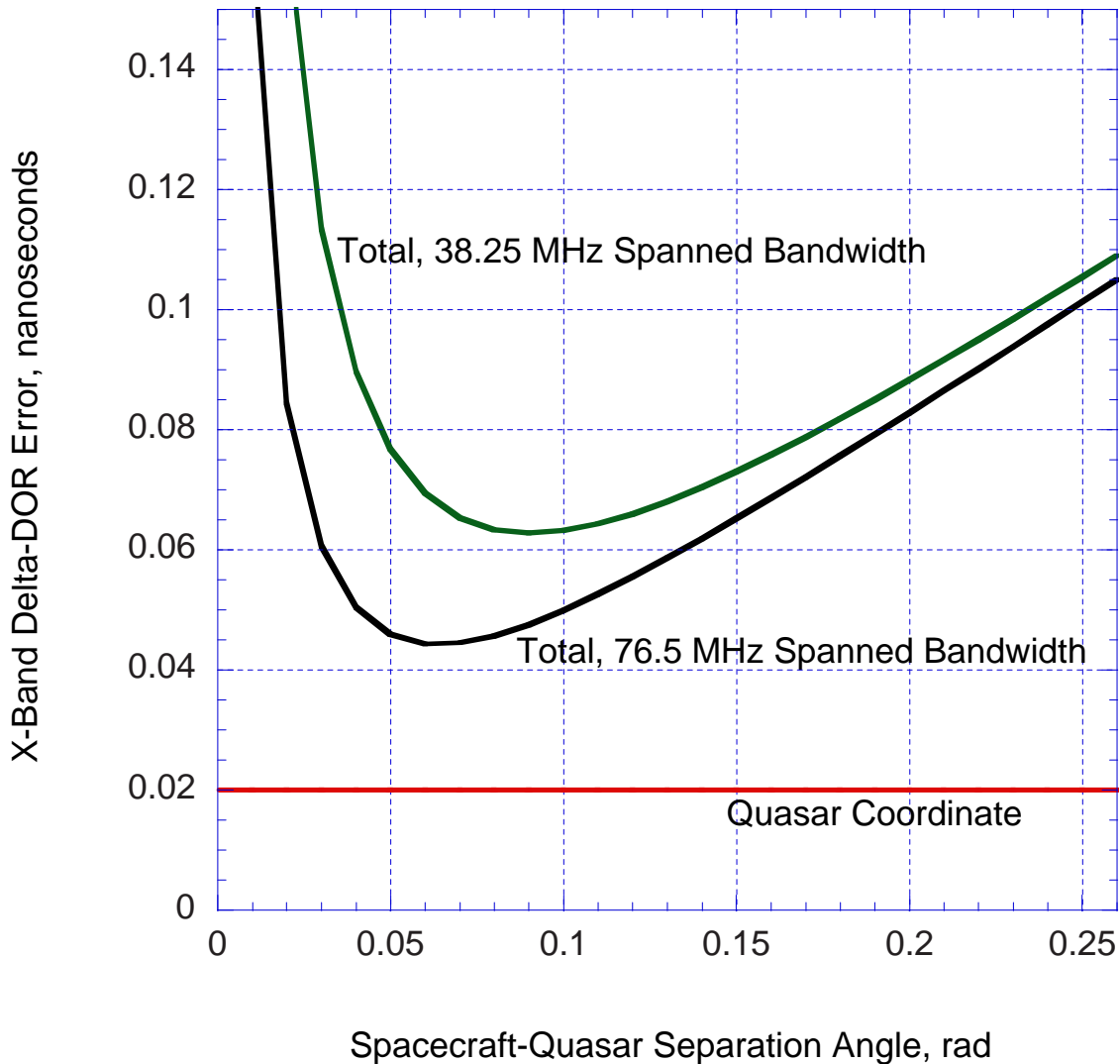


Figure 4-1: Estimated Delta-DOR Performance, 1 Sigma, at X-Band As a Function of Spacecraft-Quasar Separation Angle

4.4 THE ACHIEVABLE PERFORMANCE

There are several factors that limit Δ DOR performance at X-band and make it difficult to build a system that would generally perform much better than the curves shown in figure 4-1. Of course there are special situations, such as for a spacecraft angularly close to a strong quasar, that would have better performance. But in general, X-band performance is limited by:

- X-1) restricted bandwidth in the 8.4 GHz space research band;
- X-2) tropospheric and ionospheric fluctuations;
- X-3) coordinate uncertainty and structure effects in quasar core locations.

NOTE – It has been suggested that performance could be improved for X-band Delta-DOR by observing a very strong quasar to calibrate the phase response of the passband over a wider frequency span. Then, for the reference source, a weaker quasar that is angularly closer to the spacecraft is selected. While the spacecraft can only be observed over its transmitted frequency span, this quasar can be observed over the wider and now calibrated frequency span. The utility of this approach would depend on the smoothness of the phase response of the passband to be calibrated, and on the availability of very strong calibrator sources. No experimental results are available to report on at this time.

Potentially, Δ DOR performance could be improved by using spacecraft downlinks at Ka-band instead of X-band. The potential improvements, corresponding to the X-band limitations just stated, include:

Ka-1) wider bandwidth allocation in the 32 GHz space research band would enable increased spanned bandwidth and higher quasar channel sampling rates;

Ka-2) charged particle effects are reduced by the square of the frequency ratio;

Ka-3) radio sources tend to be more compact at the higher frequencies so that core locations could be determined with higher accuracy.

Ka-band also has drawbacks, which tend to reduce performance. Some of these may be overcome, and final performance will depend on related developments. Six significant differences between X-band and Ka-band, affecting accuracy, are discussed in items a) through f) below. The expected factor difference between X-band and Ka-band is stated.

a) Quasar flux is reduced by a factor of 2.5.

Radio sources emit flux that follow power law distributions. On average, flux S_ν from the compact core of extragalactic radio sources depends on observing frequency ν according to $S_\nu \propto \nu^{-0.65}$ (reference [14]). This corresponds to a reduction in flux of approximately a factor of 2.5 for Ka-band relative to X-band.

b) System noise temperature is increased by a factor of 2.

Atmospheric attenuation and noise temperature are related and depend on the observing frequency (references [17] and [18]). There can also be significant variations due to site location, elevation angle, and weather conditions. Curves of mean effective (i.e., including effects due to antenna microwave, atmospheric attenuation, and atmospheric noise) system temperature have been generated for NASA Deep Space Network sites for a range of assumptions (reference [18]).

For example, system temperature is 27 K at X-band for DSN 34m antenna 26 at Goldstone, assuming 0.5 cumulative distribution weather and 20 deg elevation angle (reference [18], figure 23), while system temperature is 54 K at Ka-band for these same assumptions (reference [18], figure 31).

CCSDS REPORT CONCERNING DELTA-DOR—
TECHNICAL CHARACTERISTICS AND PERFORMANCE

Differences are larger for poorer weather conditions and for lower elevation angles. Here it is assumed effective system temperature is a factor of 2 higher at Ka-band than at X-band.

- c) Quasar channel sampling rate is increased by a factor of 4.

The capability exists today to record at a much higher rate than was assumed in table 3-1 for X-band. But any increase in sampling rate must be tempered by the trade-off discussed in 4.1.3c) that wider channels have a less linear phase response than narrow channels. The assumption here is to increase the sampling rate by just the same amount as the spanned bandwidth (see item d)).

- d) Spanned bandwidth is increased by a factor of 4.

The spectrum allocation for space research is 10 times wider at Ka-band than for X-band, so conceivably the spanned bandwidth could be increased by a factor of 10. But spacecraft electronic components may not support the full available bandwidth. Here is made a conservative assumption that DOR tone frequency for Ka-band will be four times that currently in use at X-band. This assumption is also consistent with reference [5].

- e) Charged particle effects are reduced by a factor of 15.

It is known that signal delay caused by passage through charged particles scales inversely as frequency squared. The effect of the ionosphere and solar plasma will be reduced by a factor of 15.

- f) Quasar coordinate error is reduced by a factor of 3.

The cores of extragalactic radio sources tend to be more compact and more stable at higher frequencies (references [20] and [21]). It follows that, given sufficient multi-baseline VLBI observing sessions, it will be possible to build a more accurate radio source catalog at Ka-band. There is little doubt that quasar coordinates could be determined to the level of 0.25 nrad if enough effort is devoted to this task. Here it is assumed a factor of 3 improvement in coordinate accuracy relative to the (conservative) estimate given in table 3-1 for X-band.

The six items above are straightforward effects of the transition from X-band to Ka-band. Figure 4-2 shows estimated Δ DOR performance at Ka-band. All assumptions are the same as in table 3-1, except for the factors identified in items a) through f) above. As in figure 4-1, curves are shown for the RSS total error as a function of separation angle, for two different values of spanned bandwidth. The quasar coordinate error is also shown. Expected performance at Ka-band is about a factor of 2 better than for X-band. Further, the performance shown here for Ka-band is not yet at a fundamental limit. Additional advances could be made by:

Ka-4) further increase in quasar channel sampling rate and/or spanned bandwidth;

Ka-5) better tropospheric calibration using combined water vapor radiometer and GPS satellite observations.

With these two advances, another factor of 2 improvement in Δ DOR performance at Ka-band would be likely, shown in figure 4-2 as a dashed curve.

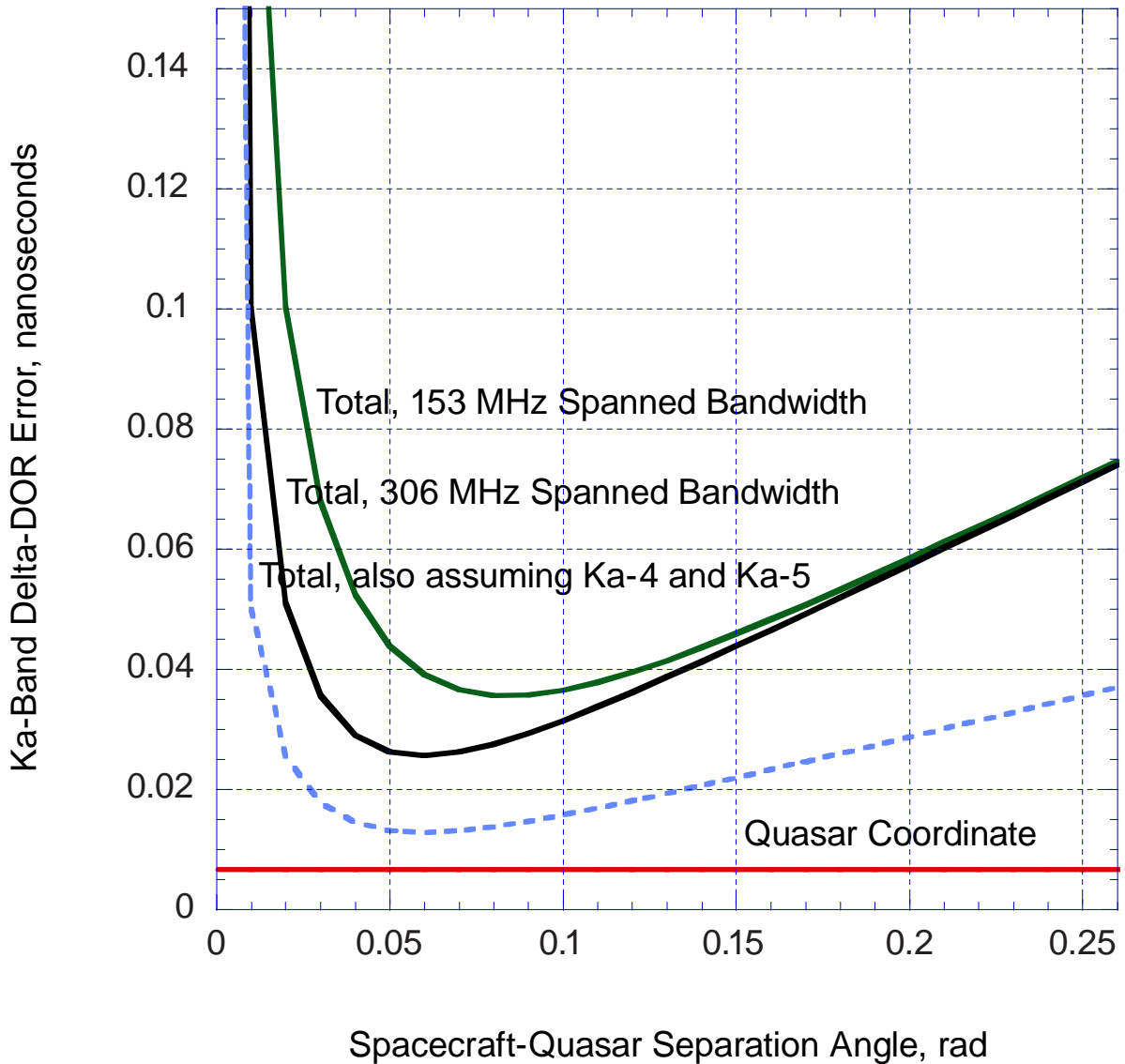


Figure 4-2: Estimated Delta-DOR Performance, 1 Sigma, at Ka-Band As a Function of Spacecraft-Quasar Separation Angle

It should be noted that the results given in figures 4-1 and 4-2 depend heavily on the assumptions that have been made. Assumptions have been based on current capabilities and on current understanding of the technique. Results could be quite different if, for example, more sensitive antennas were used, a higher data sampling rate were used, bandpass phase ripple were well calibrated, or quasar densities were more favorable than preliminary survey results suggest.

5 DESCRIPTION OF EXISTING SYSTEMS

5.1 THE NASA SYSTEM

5.1.1 GENERAL

The system to acquire Delta-DOR data at a NASA Deep Space Network (DSN) station consists of the antenna, the microwave components, frequency and timing signals, and the open loop receiver used for VLBI data recording. DSN stations have two separate VLBI recorders: the Mark V system used primarily for radio astronomy and the Wideband VLBI Science Receiver (WVSR) (reference [12])* used primarily to support Delta-DOR. Only the WVSR is described in this section.

5.1.2 FUNCTIONAL SPECIFICATIONS

A simplified block diagram of the back-end signal processing and recording system is shown in figure 5-1. RF signals received at the antenna are input to a Low Noise Amplifier (LNA). A mixer driven by a fixed Local Oscillator (LO) is used to downconvert the signal from RF to Intermediate Frequency (IF). IF signals from various antennas, from various RF bands, and from various polarizations are distributed to the WVSR. The entire IF analog input is digitized in the WVSR. Then several frequency channels are obtained in parallel by digital downconversion and filtering of the IF input. The data for each frequency channel are separately recorded to disk.

The WVSR has 16 independent frequency channels. Each channel is from 1 kHz to 32 MHz wide. The channel center frequency can be at any place in the IF bandpass with a resolution of 1 Hz. The channel center frequency may either be fixed or tuned to follow the spacecraft Doppler predict. The channels may be reconfigured between scans. Typically a wider channel bandwidth is used for quasar signal recording while a narrower channel bandwidth is used for spacecraft signal recording. The filter delays for each channel are compensated so that each channel, regardless of bandwidth, has the same digital signal delay. The local oscillators for all channels are phase coherent.

Functional specifications for the Delta-DOR system are given in table 5-1.

* This reference currently describes the predecessor to the WVSR, which is the VLBI Science Receiver (VSR). The reference will be updated to describe the WVSR.

Table 5-1: Functional Specifications for the NASA Delta-DOR System

Parameter	Value	Remarks
ANTENNA		
Polarization	RCP and LCP	
LOW NOISE AMPLIFIERS AND RECEIVERS		
Frequency ranges covered		
S-band	2200–2300 MHz	
X-band	8200–8600 MHz	
Ka-band	31800–32300 MHz	
First Local Oscillator		
S-band	2000 MHz	
X-band	8100 MHz	
Ka-band	31700 MHz	
WVSR		
Analog IF input range	0–640 MHz	
Minimum time between recording intervals (scans)	16 seconds	To allow for antenna slew and change to channel bandwidth
Independent channels		
Number of channels	16	
Narrow bandwidths with 8 or 16 bit resolution (bits/sample)	1, 2, 4, 8, 16, 25, 50, 100, 200, 500 kHz	
Wide bandwidths with 1, 2, 4, or 8 bit resolution	1, 2, 4, 8, 16 MHz	
Widest bandwidth with 1, 2, or 4 bit resolution	32 MHz	
Digital downconversion	Sub-Hz resolution	Fixed frequency or tuned to Doppler predicts
Sample format	In-phase and Quadrature-phase (I/Q)	
Maximum allowed record rate	256 Mbits/s	Number of channels, bandwidth, and resolution must be chosen to not violate this constraint

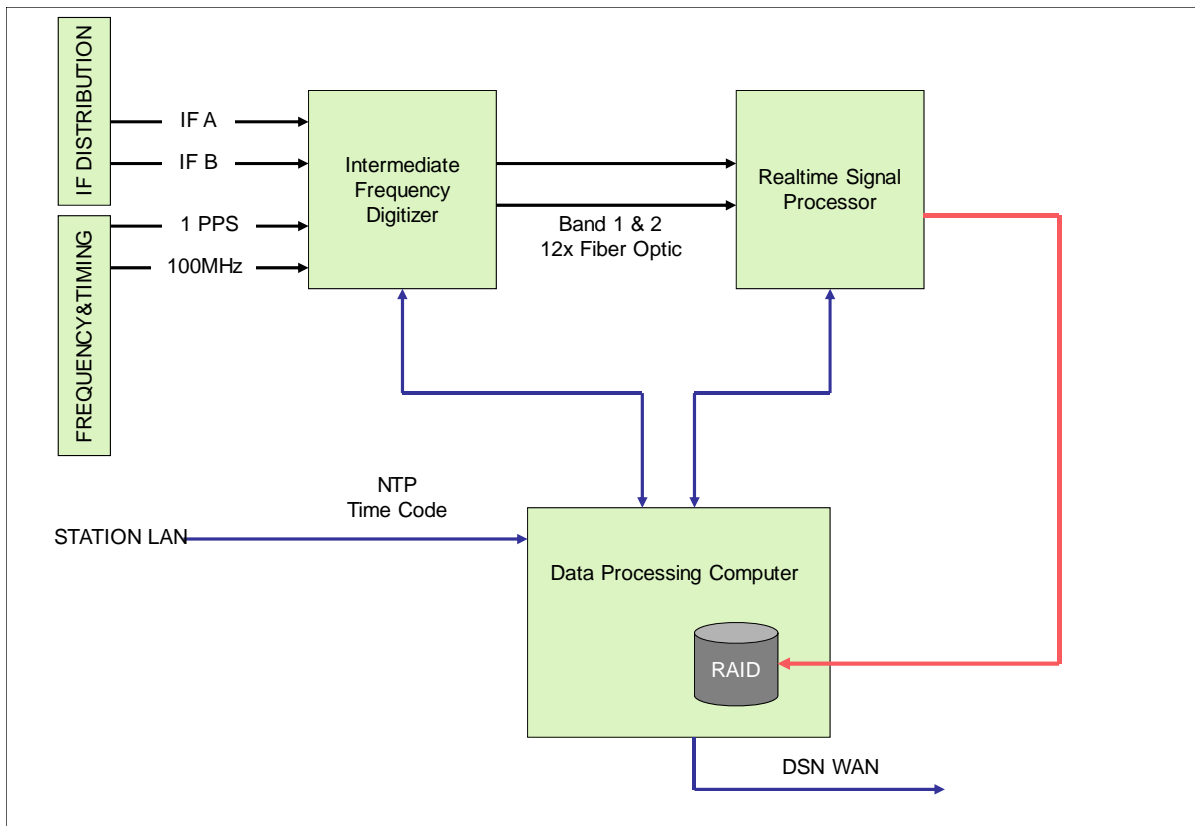


Figure 5-1: Simplified Block Diagram of Delta-DOR Back-End System in the NASA Deep Space Network

5.1.3 OPERATIONAL INTERFACES

Flight projects and other external users acquire services from the DSN by first negotiating a tracking schedule. The schedule identifies the spacecraft to be tracked, the tracking stations to be used, the time interval for the track, and whether the track includes a Delta-DOR measurement. For each scheduled Delta-DOR track, the user must provide ‘sequence information’ to the DSN in the internal format required by the DSN. The sequence inputs are essentially the station configuration to be used, the RF band(s) of the downlink signal, and the sequence of events to be executed. The DSN then internally generates support products necessary to control the station and provide the service.

For Delta-DOR, a set of configuration files is maintained on the WVSR to specify the setup of the frequency channels to be recorded. There is typically one such configuration file for each spacecraft, but multiple configurations could be defined to support, for example, recordings at different sample rates or recordings of different spectral components. These configuration files are based on the spacecraft signal characteristics and normally do not change over the lifetime of a mission. For each scheduled pass, the DSN generates two types of support products from the user-supplied sequence information and from other required

data supplied by the user, including spacecraft ephemeris and transmitter frequency. The two support products are:

- a) antenna predicts to control the slewing between spacecraft and quasars;
- b) WVSR predicts that identify the configuration file to be used, include a table of spacecraft and radio source recording intervals (scans), and include predicts for the received center frequency of the spacecraft downlink.

These two predict sets are derived from the same project inputs and hence will be consistent with each other, but during a tracking pass the antenna and the WVSR are operated independently.

When WVSR predicts are received, the WVSR generates a script based on the predicts and on the named configuration file. This script then controls the operation of the WVSR during the pass. Data files in the native format of the WVSR are stored locally on the WVSR disks. Data files for a scan are available for playback (i.e., transfer over a network interface) as soon as that scan has been completed. Data transfer is initiated by a request from a server at a correlator facility.

When playback of the data for a scan has been completed from two stations, correlation processing may begin. Quasar data are cross-correlated and a fringe-fitting program is run to extract the cross-correlation phase for each frequency channel. For spacecraft data, the phase is measured for each tone at each of the stations. When data for all scans have been processed through this stage, time delay observables for the full pass are then generated, validated, and made available to the navigation customer.

5.2 THE ESA SYSTEM

5.2.1 GENERAL

The system to acquire Delta-DOR data at an ESA Deep Space Antenna consists of the antenna front-end, the microwave components (LNA and two DownConversion [DC] stages) all driven by frequency and timing signals, and finally the open loop functionality of the Intermediate Frequency Modem System (IFMS) receiver. In addition to that, data are formatted in an External Storage Unit (ESU), outside the receiver.

5.2.2 FUNCTIONAL SPECIFICATIONS

A simplified block diagram of the back-end part of the system is shown in figure 5-2. Before reaching the down-conversion stages, RF signals received at the antenna are input to a LNA. After the amplification stage, they are downconverted by means of a two-stage conversion: first an X-band or Ka-band downconverter, followed by a further L-band downconverter, which downconverts the signal to the IF. The IF signal is distributed to the IFMS. The entire IF analog input is digitized in the IFMS. Then several frequency subchannels are obtained in parallel by digital downconversion and filtering of the IF input. Up to eight independent

CCSDS REPORT CONCERNING DELTA-DOR—
TECHNICAL CHARACTERISTICS AND PERFORMANCE

frequency subchannels can be recorded in open-loop by the IFMS. The subchannels have bandwidth in the range of 1 kHz to 4 MHz (with different resolution) and the center frequency has resolution of better than 1 Hz. The subchannel center frequency may either be fixed or tuned to follow the spacecraft Doppler predict. The data for each frequency channel are multiplexed and formatted/recorded into an external disk.

The channels may be reconfigured between scans. Typically a wider channel bandwidth is used for quasar signal recording while a narrower channel bandwidth is used for spacecraft signal recording.

Functional specifications for the Delta-DOR system are given in table 5-2.

Table 5-2: Functional Specifications for the ESA Delta-DOR System

Parameter	Value	Remarks
ANTENNA		
Polarization	RCP and LCP	
LNA		
Frequency ranges covered		
X-band	8400–8500 MHz	
Ka-band	31800–32300 MHz (in 220 MHz chunks)	
DC		
X-band LO	9040 MHz	
Ka-band: 1 st LO Ka-band: 2 nd LO	22400 MHz Variable (8780–9480 MHz)	
L-band LO 1 st LO L-band LO 2 nd LO	Variable (1790–2010 MHz) 1300 MHz	
IFMS		
Analog IF input range	70 MHz (± 14 MHz)	
Minimum time between recording intervals (scans)	120 seconds	To allow for antenna slew and change configuration
Subchannels (i.e., recordable channels)		
Number of subchannels	8	
Narrow bandwidths with 8 or 16 bit resolution (bits/sample)	Any from 1 to 100 kHz	

CCSDS REPORT CONCERNING DELTA-DOR—
TECHNICAL CHARACTERISTICS AND PERFORMANCE

Wide bandwidths with 1, 2 or 4 bit resolution	1, 2 (1 or 2 bits only), 4 (1 bit only) MHz	
Digital downconversion	Sub-Hz resolution	Fixed frequency or tuned to Doppler predicts
Sample format	In-phase and Quadrature-phase (I/Q)	
Maximum allowed record rate	32 Mbits/s	Number of subchannels, bandwidth, and resolution must be chosen to not violate this constraint

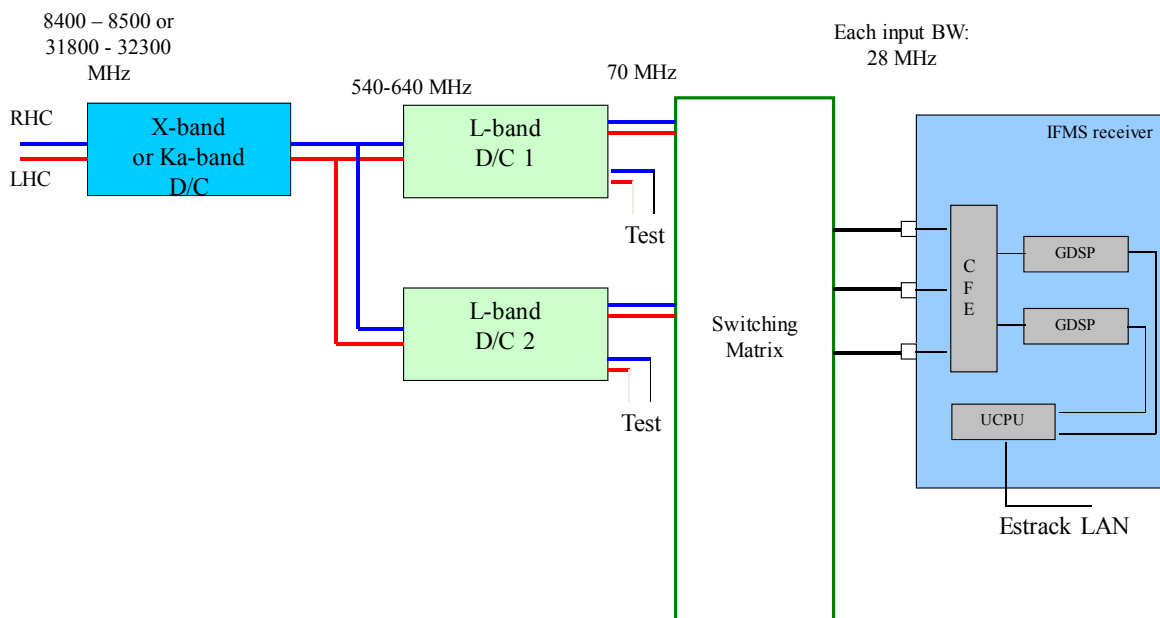


Figure 5-2: Simplified Block Diagram of Delta-DOR Back-End System (from DC Stages to Baseband) in the ESA Deep Space Network

5.2.3 OPERATIONAL INTERFACES

Delta-DOR operational interfaces currently in use at ESA are briefly summarized here.

Normally long-term schedules addressing all telemetry, tracking, and command services are created every six months. These high-level schedules identify the spacecraft to be tracked, the tracking stations to be used, and the time interval for the track. Then, for each scheduled Delta-DOR track, the user must provide detailed ‘sequence information’ to the ESA scheduling office in the internal format. The sequence inputs are essentially the station configuration to be used, the quasar(s) to be tracked, and the sequence of scans to be executed. ESOC scheduling office then internally generates the final schedule needed to control the station and provide the service. Such schedule is transferred to the Station

Computer(s) at both stations, which is in charge of handling the station configuration and operations derived from the user-supplied schedule.

For Delta-DOR, a set of configuration files is maintained on the IFMS to specify the setup of the frequency channels to be recorded. The configuration files are based on the spacecraft signal characteristics and normally do not change over the lifetime of a mission.

For each scheduled pass, the Flight Dynamics group at ESOC generates a spacecraft trajectory data message file, which is transferred to the station to generate further support products for the pass. The generation of such support product (i.e., pointing predicts and the IFMS configuration to be used) is automatically handled by the Station Computer,

Data files in the native format of the IFMS are stored locally at the antenna on an ESU. Data files for a scan are available for playback (i.e., transfer over a network interface) as soon as that scan has been completed. Data transfer is initiated by a request from a server at the correlator facility (ESOC).

When playback of the data for a scan has been completed from two stations, correlation processing will be started and controlled by an operator. When data for all scans have been processed, time delay observables for the full pass are generated, validated, and made available to the navigation customer. Some additional information (e.g., log files, plots, intermediate products of the correlation process) are kept for internal use and characterization of obtained results.

5.3 THE JAXA SYSTEM

5.3.1 GENERAL

The system to acquire Delta-DOR data at a JAXA Deep Space Antenna consists of the antenna front-end, the microwave components all driven by frequency and timing signals generated from hydrogen masers, and the open loop receivers for VLBI data recording. The VLBI recorder used at JAXA stations is the K5/VSI system, which conforms to the VLBI Standard Hardware Interface (VSI-H) established by the International VLBI service for Geodesy and Astrometry (IVS) (reference [22]). There are several generations of K5/VSI digital receiver used at JAXA stations, but only the latest receiver (ADS-3000+) is described in this section.

5.3.2 FUNCTIONAL SPECIFICATIONS

A simplified block diagram of the back-end part of the system is shown in figure 5-3. The maximum number of four IF analog signals are distributed to a K5/VSI receiver, and each IF signal is digitized, down converted, and sent to the storage PC. Unlike the NASA or ESA system, minimum output bandwidth is limited to 4MHz. Further down conversion process required for spacecraft scans or the fewer bandwidth of quasar scans is done in the post process with the backend storage PC. The receiver has two independent output modes: digital

CCSDS REPORT CONCERNING DELTA-DOR—
TECHNICAL CHARACTERISTICS AND PERFORMANCE

downconversion mode and wide bandwidth output mode. Digital downconversion mode is used for nominal Delta-DOR passes, and wide bandwidth mode may be used for the purpose of calibrating wideband phase variation across the whole IF bands, or for the observations with international radio telescopes outside the Delta-DOR network. The channels or recording modes may be reconfigured between scans. Typically a wider channel bandwidth is used for quasar signal recording while a narrower channel bandwidth is used for spacecraft signal recording. The filter delays and output time tag for each channel are compensated so that each channel, regardless of bandwidth, has no digital signal delay.

Functional specifications for the Delta-DOR system are given in table 5-3.

Table 5-3: Functional Specifications for the JAXA Delta-DOR System (Usuda Station)

LNA and Receivers		
Frequency ranges covered		
X-band	8180–8680 MHz	RCP and LCP
C-band	4700–6700 MHz	RCP and LCP
S-band	2200–2350MHz	RCP and LCP
L-band	1300–1750MHz	RCP and LCP
First local oscillator		
X-band	8080 MHz	
C-band	4600 MHz or 6400 MHz	
S-band	2020 MHz	
L-band	1200 MHz or 1250MHz	
K5/VSI(ADS-3000+)		
Analog IF input range	0–1.7GHz	3dB suppression level. Maximum number of IF input signals is 4.
Minimum time between recording intervals (scans)	0 second	System settings can be changed every seconds synchronized with 1pps signal
Subchannels (i.e., recordable channels)		

CCSDS REPORT CONCERNING DELTA-DOR—
TECHNICAL CHARACTERISTICS AND PERFORMANCE

Digital down conversion mode	32,16,8,4MHz, 2bit, 16ch 32,16,8,4 MHz, 4bit, 8ch	Each of four IF analog inputs can be selected for the input of each down conversion channel. Input IF signal shall be band-limited to 0–512MHz, 512–1024MHz, or 1024–1536 MHz in this mode.
Frequency resolution	1 Hz resolution (in the case of fixed frequency)	Fixed frequency or tuned to Doppler predicts
Sample format	In-phase and Quadrature-phase (I/Q) or Real sampling (USB/LSB)	
Wide bandwidth output mode	2048MHz, 1bit, 1ch 1024MHz, 1bit, 2ch 1024MHz, 2bit, 1ch 512MHz, 2bit, 2ch 256MHz, 4bit, 2ch 256MHz, 8bit, 1ch 128MHz, 8bit, 2ch	No frequency tuning can be performed in this mode. Down-conversion is realized by bandpass filtering and decimation.
Maximum allowed record rate	4096 Mbits/s	Number of subchannels, bandwidth, and resolution must be chosen to not violate this constraint

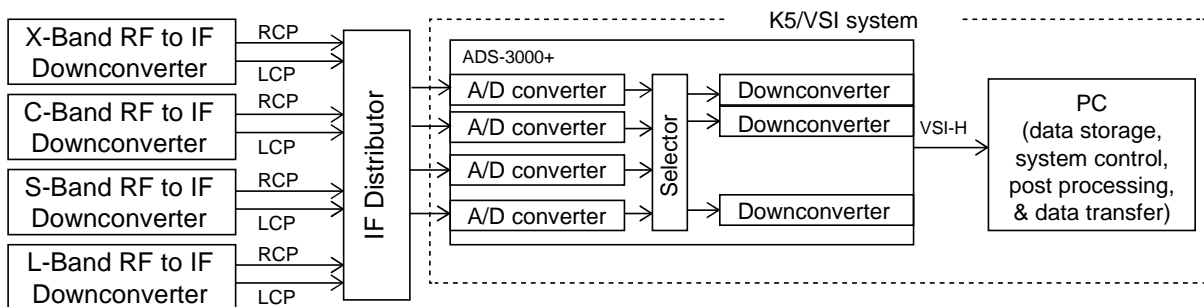


Figure 5-3: Simplified Block Diagram of Delta-DOR Back-End System in the JAXA Stations

ANNEX A

ABBREVIATIONS AND ACRONYMS

Δ DOR	Delta Differential One-way Ranging
DC	downconversion
Delta-DOR	Delta Differential One-way Ranging
DOR	differential one-way ranging
DSN	Deep Space Network
ESOC	European Space Operations Centre
ESU	external storage unit
GPS	Global Positioning System
IF	intermediate frequency
IFMS	intermediate frequency modem system
LCP	left-hand circular polarization
LNA	low noise amplifier
LO	local oscillator
LSB	lower sideband
RCP	right-hand circular polarization
RF	radio frequency
RSS	root sum square
SEA	Systems Engineering Area
SEP	Sun-Earth-probe
SFCG	Space Frequency Coordination Group
SNR	signal-to-noise ratio
USB	upper sideband
UT1	universal time number 1
UTC	Universal Time Coordinated
VLBI	very long baseline interferometry
VSI	VLBI standard interface
VSR	VLBI science receiver
WVSR	wideband VLBI science receiver